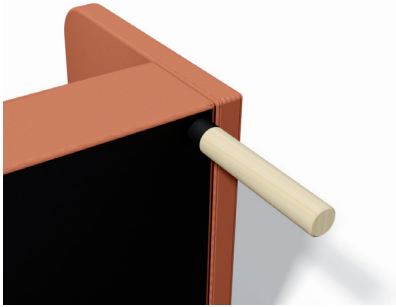
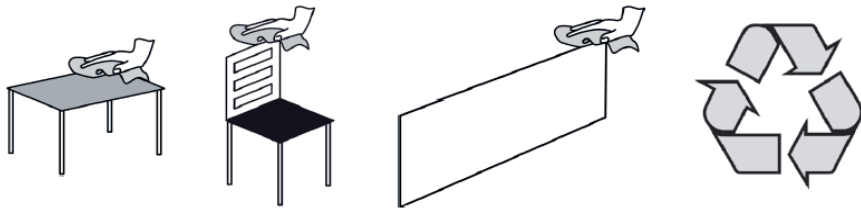


The wooden legs are only for single sofas, no combinations. The legs are screwed into the holes under the sofa, one in each corner. **NOTE!** Be sure to assemble the legs in the utter holes in each corner.



For EFG Mingle with the divided seat and back, the legs look like this.



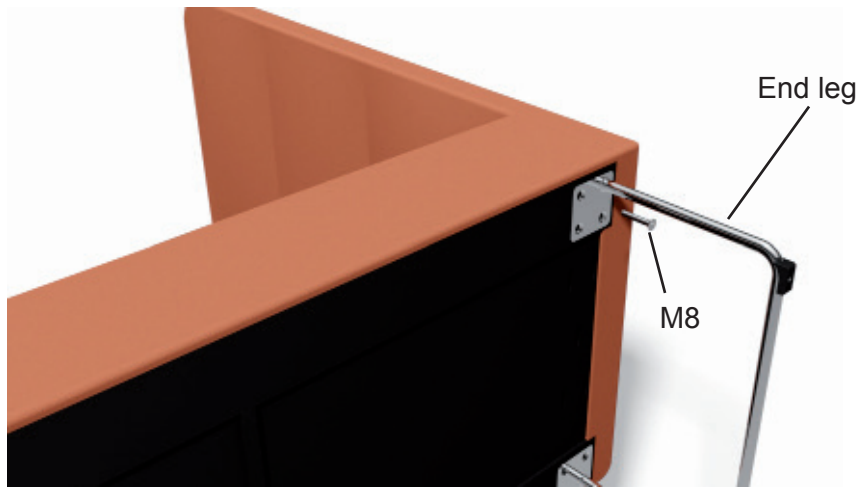
The product contains one or more of following materials:  
Metal, plastic, wood, fabric, foam.

For more information,  
please visit [www.efg.info](http://www.efg.info)

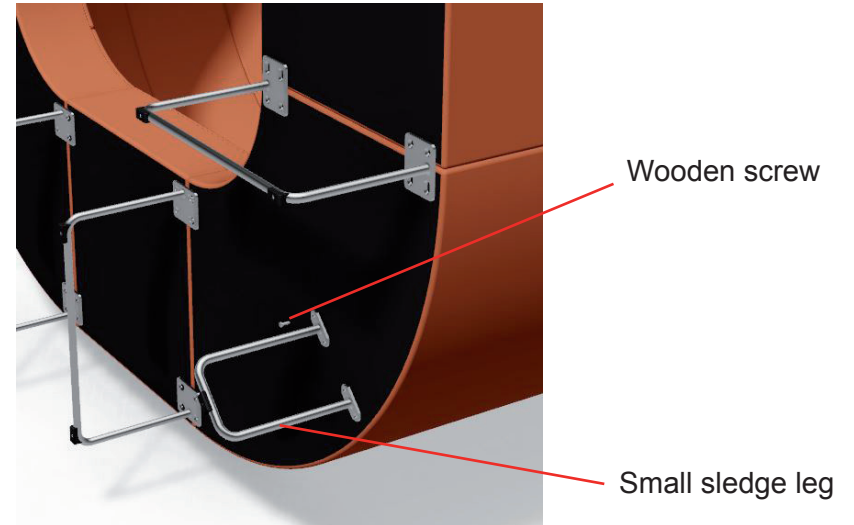
039170 Produced by: EFG Product development  
Senast ändrad: 20170814

## EFG Mingle Sofa assembly

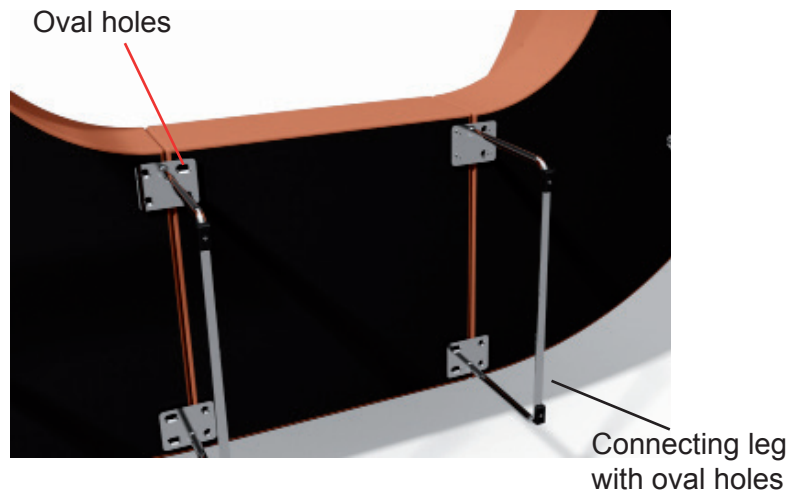
For single sofas and combination ends, use the end leg and use the M8 screws.



For round corners add the smaller sledge leg and use the wooden screws.



For connecting modules use the connecting leg and the M8 screws. Use the oval holes to tighten the modules.



For combinations including a straight corner there will be one direction where the legs can't connect the modules. This connection will be done with bolts and nuts. Use a sharp tool (knife) and make small cuts (x2 for each module) in the fabric where you can feel the holes in the chip-board. Then use the bolts and nuts to connect the modules.



Find the holes and make a small cut for each hole

Use the bolts and nuts to connect.

