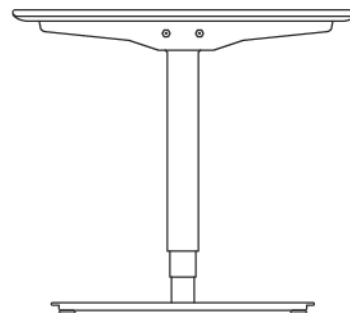


EFG Izi Pro*

Izi Pro is a flexible series of sit-stand desks. The desk has a stylish design and units can be combined, making it an excellent choice for small and large offices, activity-based offices and open office spaces with fixed workplaces.



ENVIRONMENTAL CERTIFICATES

Wood from FSC® certified forests.
Wood certified with Blue Angel**.



MATERIAL CONTENT

Material	Weight kg	Weight %
Steel	30,2 kg	62,1 %
Wood	16,0 kg	32,9 %
Electronics	1,2 kg	2,4 %
Plastic	0,7 kg	1,5 %
Aluminum	0,5 kg	1,1 %
Copper	0,06 kg	0,1 %
Total	48,7 kg	100 %

RECYCLED MATERIALS

49,0 % recycled content, of which:
25,7 % post-consumer recycled content
23,3 % pre-consumer recycled content

RECYCLABLE MATERIALS

67,1 % material recycling
32,9 % energy recovery
0 % landfill

Materials shall be recycled in accordance with the prescriptions in force locally.

RENEWABLE MATERIALS

32,9 % renewable materials

CHEMICALS

Wood: Formaldehyde emission E0,5.
Waterbased lacquers and additives.
Metal: Powder coating lacquers.
Electronics in compliance with RoHS Directive.
Contains no chemicals from Reach candidate list.

CIRCULARITY

Designed with remanufacturing in mind.
Spare parts available.

FULFILLED TECHNICAL STANDARDS

EN 527-1 Type A; Dimensions.
EN 527-2; Mechanical safety requirements.
EN 1730; Test methods of test for the determination of strength, durability and stability.
ISO 21016; Durability of height adjustment.
EN 12720; Assessment of surface resistance to cold liquids.
SS 8391 17; Assessment of resistance to spotting from fat on scratched surface.
EN 12722; Assessment of surfaces resistance to dry heat.
SIS 8391 17; Assessment of surfaces resistance to scratches.

COMPANY CERTIFICATIONS

ISO 9001
ISO 14001
FSC® Chain of Custody
Certificate code NC-COC-062914
License number FSC-C009111

CARE INSTRUCTIONS

Please visit our webpage, www.efg.info

** Disclaimer: All calculations are based on EFG Izi Pro frame
IZIPA20 with table top 1600x800 mm straight edge (S).
Information may vary based on model and options selected.
** Models in MFC.*