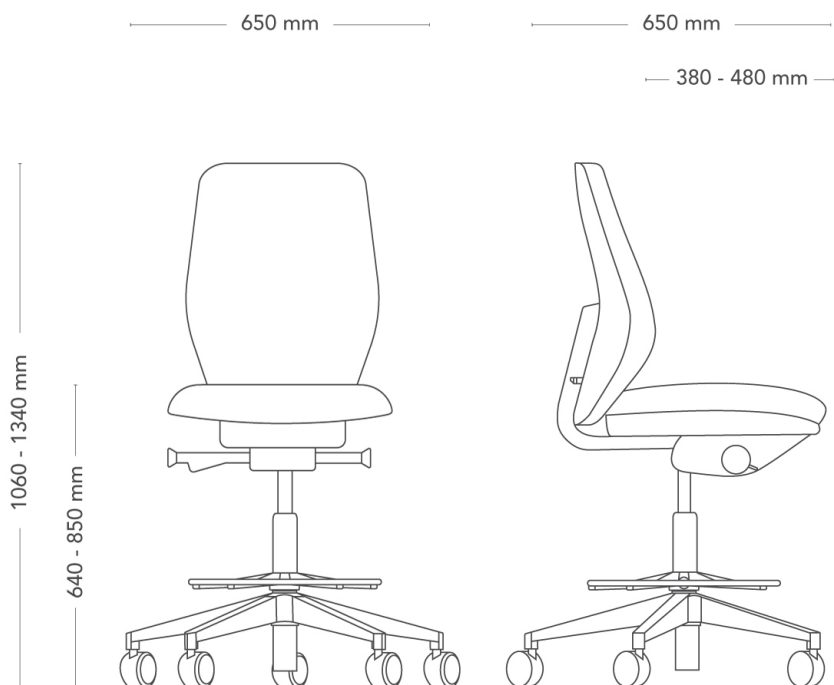


Savo Soul

HIGH CHAIR, 40 BACK (SMALL SEAT)

Soul high is an ergonomic office chair with castors. Soul's intuitive design with logical and easily accessible settings makes it suitable for many different users and is ideal both in project rooms/group rooms and in shared offices with activity-based working methods.



MODEL	Savo Soul high chair	
VARIANTS	<ul style="list-style-type: none"> – Back 40 – Mesh back – Seat Small 	
ACCESSORIES	<ul style="list-style-type: none"> – Armrests – Options for castors 	
CONSTRUCTION	<p>Black back, with frame and J-bar in recycled plastic and cold foam (upholstered back). White back, with frame and J-bar in plastic and cold foam (upholstered back). Seat frame in plastic, with cold foam padding. Mechanism in cast recycled aluminium. Height-adjustable gas lift in steel. Black 5-star swivel base, in cast recycled plastic or recycled aluminium, with castors Ø 60 mm. White 5-star swivel base, in cast plastic, with castors Ø 60 mm. (option) Polished 5-star swivel base, in cast recycled aluminium. Armrests (option), in black injection-moulded recycled plastic or white injection-moulded plastic. Headrest (option), with frame in black recycled plastic and cold foam padding, or white with frame in plastic and cold foam padding.</p>	
DIMENSIONS	<p>Height: 1060-1340 mm</p> <p>Depth: 650 mm</p> <p>Backrest W: 400 mm</p>	<p>Width: 650 mm</p> <p>Seat height (with load): 640-850 mm</p> <p>Backrest H: 480 mm</p>
WEIGHT	13.3 kg	

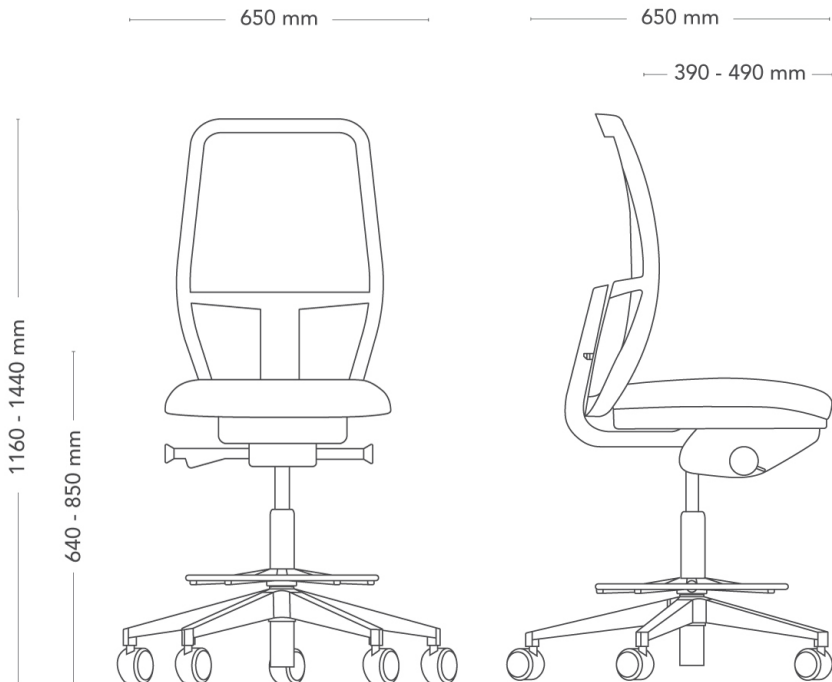


TESTED	EN1335- 1, -2:2018, EN1728
WARRANTY	10 years

Savo Soul

HIGH CHAIR, MESH BACK 50 (SMALL SEAT)

Soul high is an ergonomic office chair with castors. Soul's intuitive design with logical and easily accessible settings makes it suitable for many different users and is ideal both in project rooms/group rooms and in shared offices with activity-based working methods.



MODEL	Savo Soul high chair	
VARIANTS	<ul style="list-style-type: none"> – Back 40 – Mesh back – Seat Small 	
ACCESSORIES	<ul style="list-style-type: none"> – Armrests – Options for castors 	
CONSTRUCTION	<p>Black back, with frame and J-bar in recycled plastic and cold foam (upholstered back). White back, with frame and J-bar in plastic and cold foam (upholstered back). Seat frame in plastic, with cold foam padding. Mechanism in cast recycled aluminium. Height-adjustable gas lift in steel. Black 5-star swivel base, in cast recycled plastic or recycled aluminium, with castors Ø 60 mm. White 5-star swivel base, in cast plastic, with castors Ø 60 mm. (option) Polished 5-star swivel base, in cast recycled aluminium. Armrests (option), in black injection-moulded recycled plastic or white injection-moulded plastic. Headrest (option), with frame in black recycled plastic and cold foam padding, or white with frame in plastic and cold foam padding.</p>	
DIMENSIONS	<p>Height: 1160-1440 mm</p> <p>Depth: 650 mm</p> <p>Backrest W: 420 mm</p> <p>Base diameter: 710 mm</p>	<p>Width: 650 mm</p> <p>Seat height (with load): 640-850 mm</p> <p>Backrest H: 590 mm</p>
WEIGHT	13.3 kg	



TESTED	EN1335- 1, -2:2018, EN1728
WARRANTY	10 years
