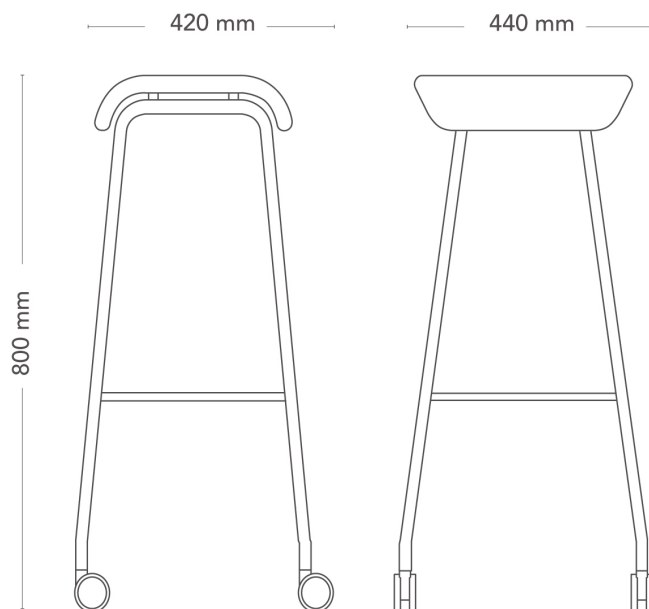


# Sela

## SELA STOOL WITH CASTORS, HIGH SEAT HEIGHT

Sela is a multifunctional stool that supports flexible sitting. The saddle seat provides an active sitting position and focuses on movement, by offering several ways to sit. Sela is mobile and easy to move and fits perfectly in activity-based offices.

Fits table height approx. 1050 - 1150 mm.



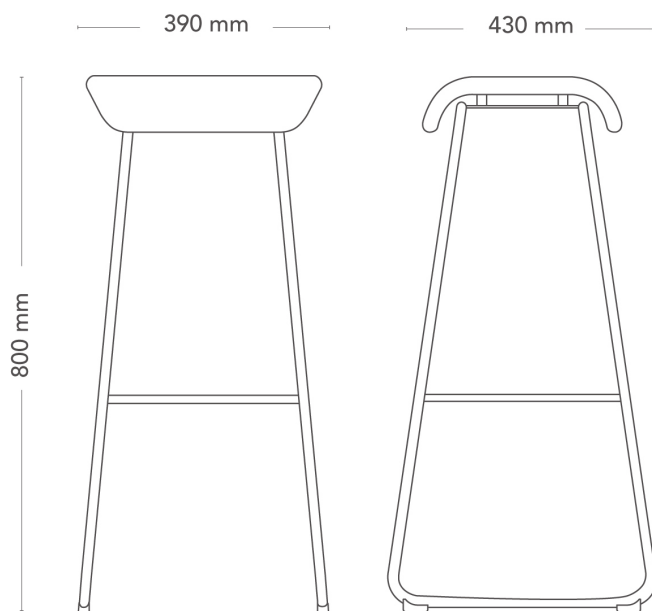
MODEL	Stool, high seat height	
VARIANTS	<ul style="list-style-type: none"> <li>– Castors</li> <li>– Sledge</li> </ul>	
ACCESSORIES	<ul style="list-style-type: none"> <li>– Other colours on leg frame and castors.</li> </ul>	
DETAILS	<ul style="list-style-type: none"> <li>– Fits table height approx. 1050 - 1150 mm.</li> <li>– A stool for mobile and active sitting.</li> </ul>	
CONSTRUCTION	<p>Stool with sledge has a powder-coated, bent steel pipe stand 16x2 mm (variety: EN10305-3 E220). Stool with castors has powder-coated, bent steel pipe stand 19x2 mm (variety: EN10305-3 E220) with four legs and castors, diameter 55 mm. Seat in molded wood with cut polyether foam all around, and upholstered. No glue between fabric and foam.</p>	
DIMENSIONS	Height: 800 mm Depth: 440 mm	Width: 420 mm Seat height: 800 mm
WEIGHT	5.2 kg	
TESTED	EN 16139:2013	
WARRANTY	5 years	

# Sela

## STOOL WITH SLEDGE, HIGH SEAT HEIGHT

Sela is a multifunctional stool that supports flexible sitting. The saddle seat provides an active sitting position and focuses on movement, by offering several ways to sit. Sela is mobile and easy to move and fits perfectly in activity-based offices.

Fits table height approx. 1050 - 1150 mm.



MODEL	Stool, high seat height	
VARIANTS	<ul style="list-style-type: none"> <li>– Castors</li> <li>– Sledge</li> </ul>	
ACCESSORIES	<ul style="list-style-type: none"> <li>– Other colours on leg frame and castors.</li> </ul>	
DETAILS	<ul style="list-style-type: none"> <li>– Fits table height approx. 1050 - 1150 mm.</li> <li>– A stool for mobile and active sitting.</li> </ul>	
CONSTRUCTION	<p>Stool with sledge has a powder-coated, bent steel pipe stand 16x2 mm (variety: EN10305-3 E220). Stool with castors has powder-coated, bent steel pipe stand 19x2 mm (variety: EN10305-3 E220) with four legs and castors, diameter 55 mm. Seat in molded wood with cut polyether foam all around, and upholstered. No glue between fabric and foam.</p>	
DIMENSIONS	Height: 800 mm Depth: 430 mm	Width: 390 mm Seat height: 800 mm
WEIGHT	5.2 kg	
TESTED	EN 16139:2013	
WARRANTY	5 years	