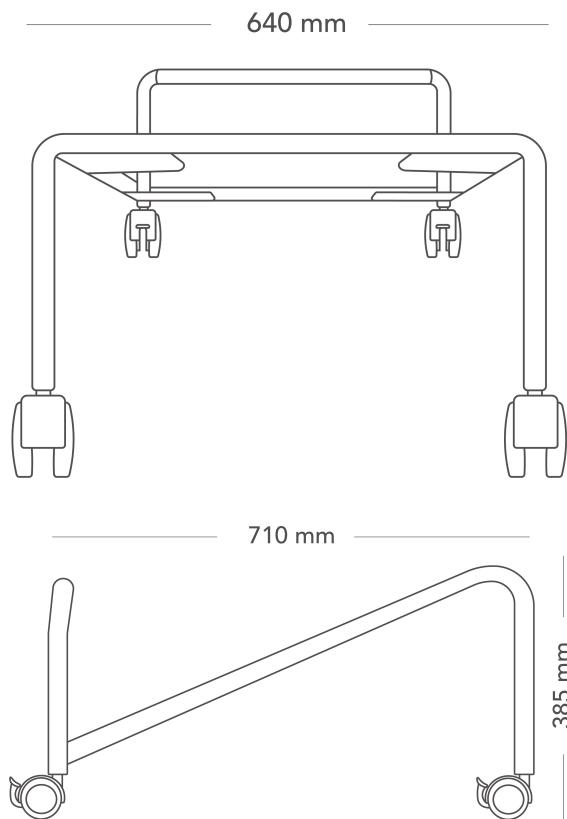


Stolsvagn



MODEL	Transport cart in metal legs
DETAILS	– Surface treatment in chrome, stack surface covered with anti-slip, downpipe at the rear edge covered with plastic
CONSTRUCTION	Steel tube 25 mm, wheels 80 mm
DIMENSIONS	Height: 385 Width: 640 Depth: 710
WEIGHT	7
GUARANTEE	2 years