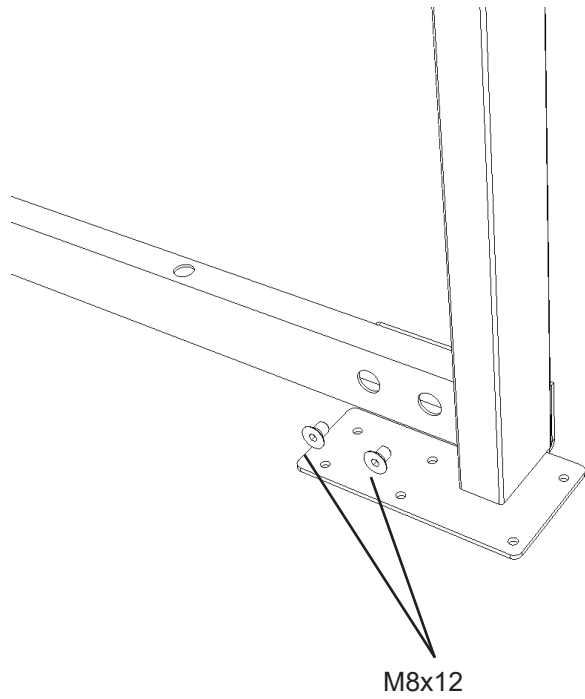


The product contains one or more of following materials:  
Wood, metal, plastic.



Screw the beams to the legs with the M8x12 screws. Put the beams behind the legs so it's not visible from the short side of the table.



Then fasten the table top(s) with the wooden screws.

