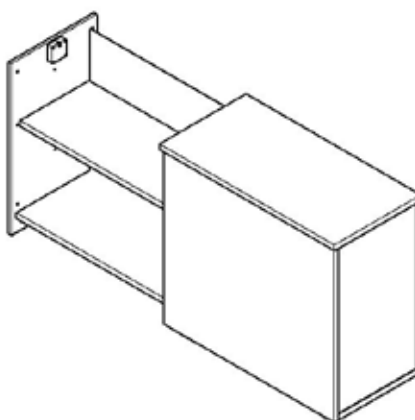
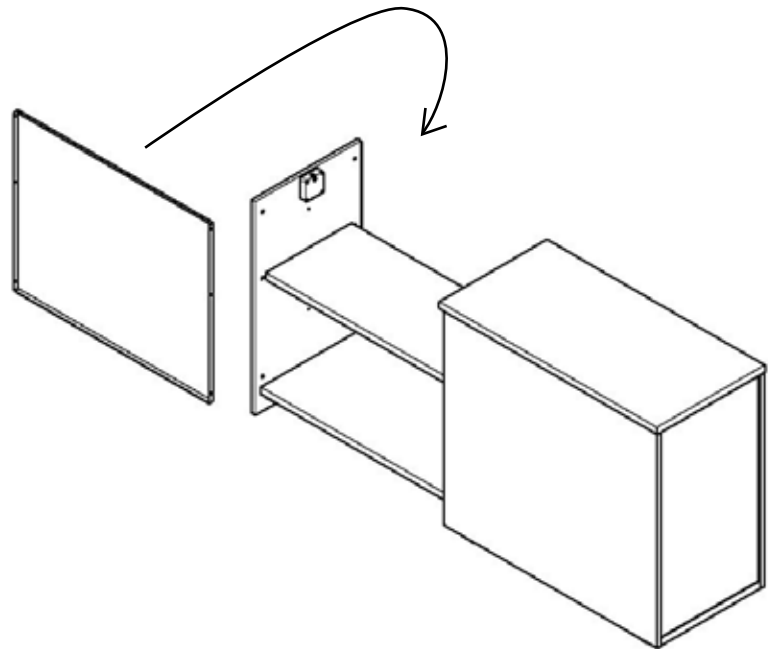
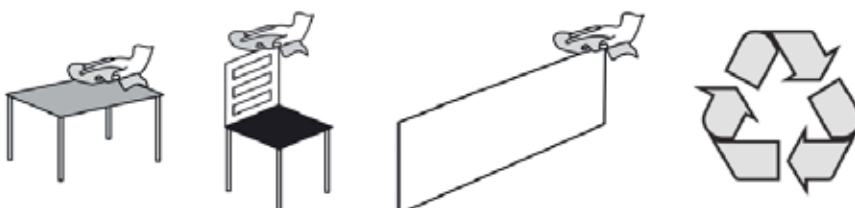


Pull out the inside part fully. To remove the metal side, on the inside unit, use a 2,5 mm allen key and loosen all screws that holds the metal side. 6 pcs for the low tower and 8 for the high.

Lift out the metal side.
Remove the cover caps on the other side of the inside unit and move them over to the other side.



Place the metal side in the new position and tighten the screws.



The product contains one or more of following materials:
Wood, metal, plastic.