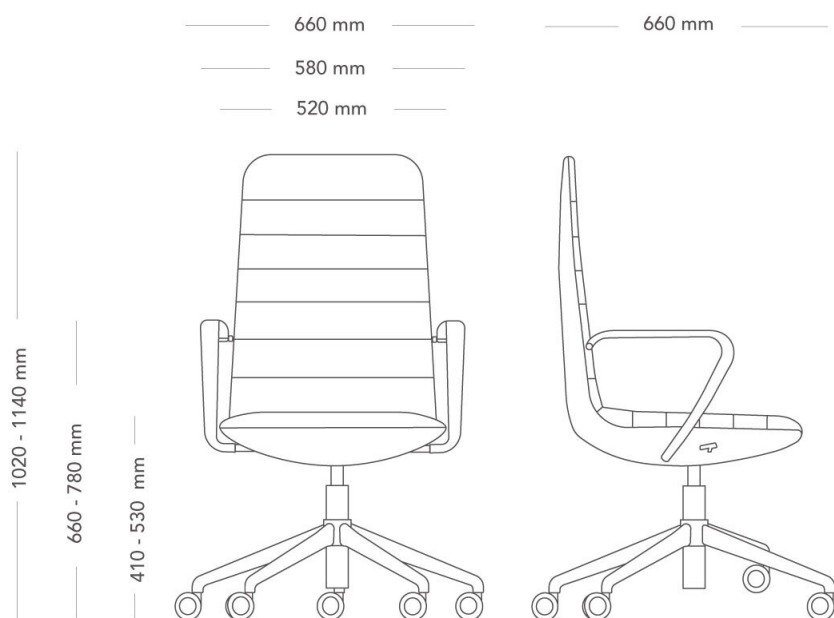


Favor

MEETING CHAIR

Favor is a combined meeting- and office chair, that incorporates comfort, practical function and a fresh, Scandinavian look and feel. For a workstation, small meeting room, conference room or lounge; there is a Favor for every space.

High back



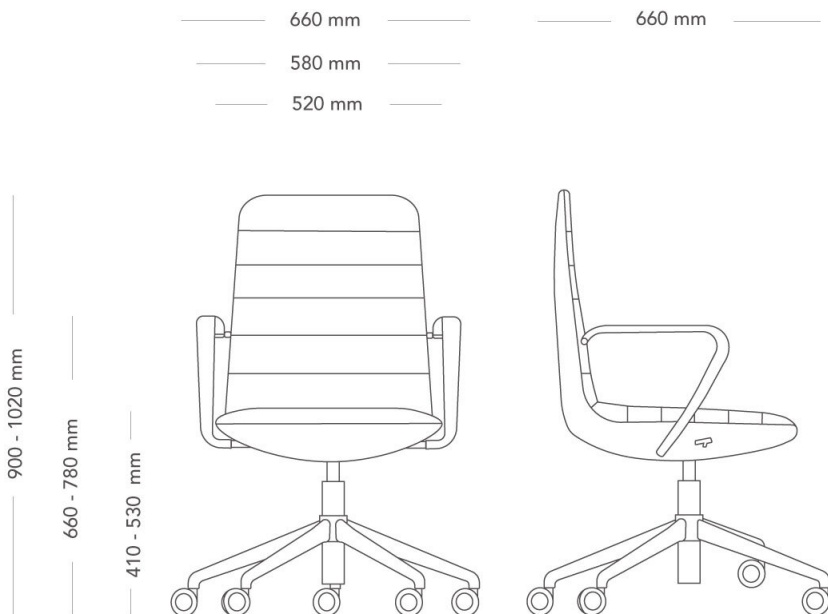
MODEL	Chair with swivel base	
VARIANTS	<ul style="list-style-type: none"> - High back - Plain upholstery - Without armrests - With castors 	<ul style="list-style-type: none"> - Low back - Upholstery with seams - With armrests - With gliders
CONSTRUCTION	Fully upholstered seat shell with plastic frame and cold foam padding. Built-in tilting mechanism made of recycled aluminum. Swivel base made of cast recycled aluminum with height-adjustable steel pillar. Gliders or castors Ø60 mm. Armrest made of cast recycled aluminium.	
DIMENSIONS	Height: 1010-1130 mm Depth: 660 mm Seat height: 440-560 mm Sit depth: 470 mm	Width: 660 mm Seat height (with load): 410-530 mm Seat width: 480 mm Total height armrest: 660-780 mm
WEIGHT	22 kg	
TESTED	EN 16139, EN 1728, EN 1022	
GUARANTEE	5 years	

Favor

MEETING CHAIR

Favor is a combined meeting- and office chair, that incorporates comfort, practical function and a fresh, Scandinavian look and feel. For a workstation, small meeting room, conference room or lounge; there is a Favor for every space.

Low back



MODEL	Chair with swivel base	
VARIANTS	<ul style="list-style-type: none"> - High back - Plain upholstery - Without armrests - With castors 	<ul style="list-style-type: none"> - Low back - Upholstery with seams - With armrests - With gliders
CONSTRUCTION	Fully upholstered seat shell with plastic frame and cold foam padding. Built-in tilting mechanism made of recycled aluminum. Swivel base made of cast recycled aluminum with height-adjustable steel pillar. Gliders or castors Ø60 mm. Armrest made of cast recycled aluminium.	
DIMENSIONS	Height: 900-1020 mm Depth: 660 mm Seat height: 440-560 mm Sit depth: 470 mm	Width: 660 mm Seat height (with load): 410-530 mm Seat width: 480 mm Total height armrest: 660-780 mm
WEIGHT	20 kg	
TESTED	EN 16139, EN 1728, EN 1022	
GUARANTEE	5 years	