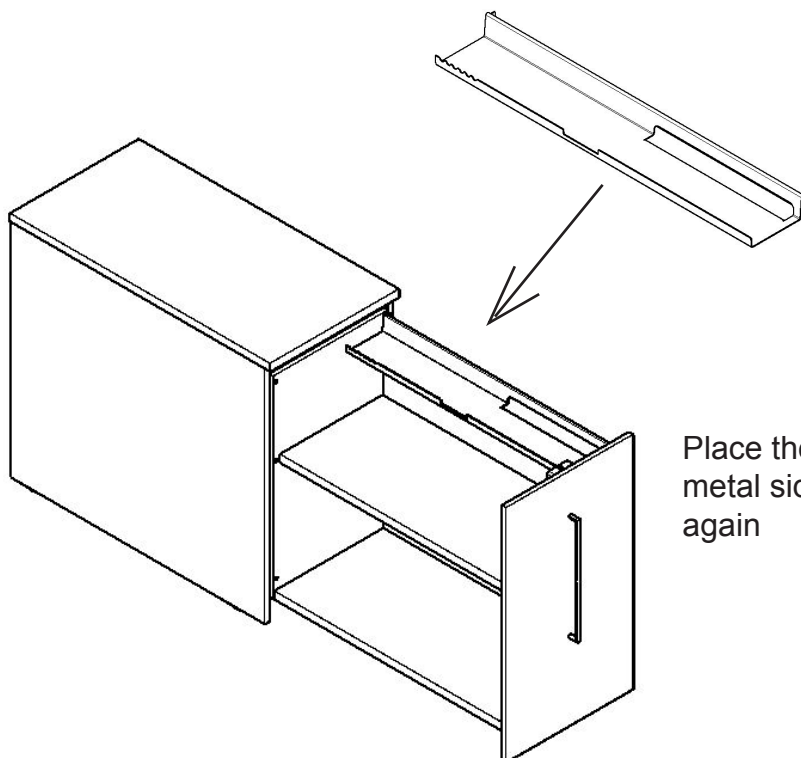
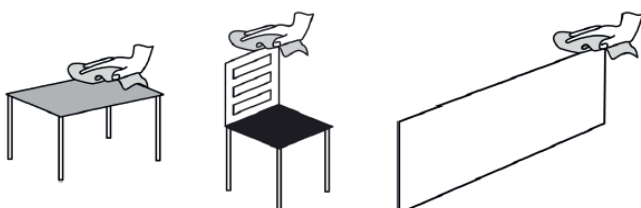


Pull out the inside part fully. Remove the two upper most screws that fixate the metal side, one against the back and one against the front. Use a 2,5 mm allen key and loosen the screws.



Place the Add-on shelf over the metal side and tighten the screws again



The product contains one or more of following materials:
Wood, metal, plastic.