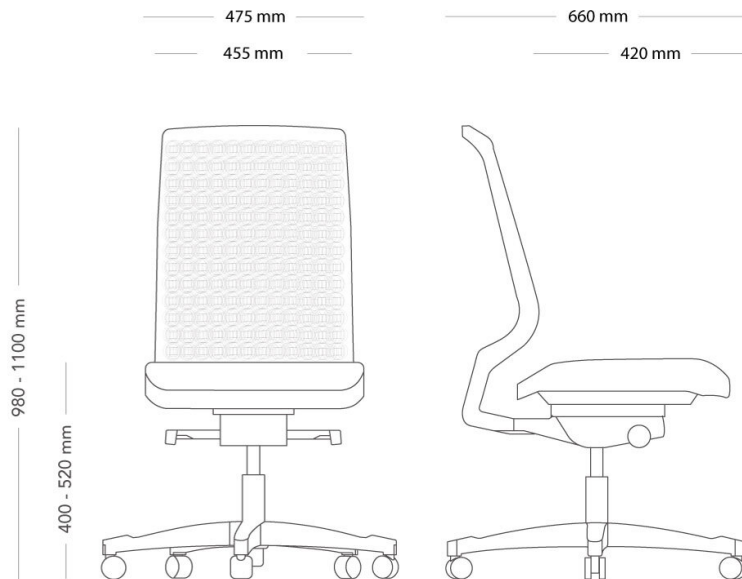


One

OFFICE CHAIR

One is a sizeable family of aesthetically pleasing task chairs designed with simplicity and flexibility in mind. Easy to use, easy to like and flexible enough to suit all. One is equipped with a self-balanced seat and the back automatically adjusts to the user, which is perfect for the modern office when many share the same chair. One is logic and user friendly.

Model One "inc" with easy adjustments, suitable for multiple users.



MODEL

Office chair with easy adjustments

VARIANTS

- Mesh back
- Upholstered back 40
- Upholstered back 50
- No armrests
- With armrests

ACCESSORIES

- Neckrest
- Polished swivel base
- Options for castors
- Gliders

DETAILS

- Seat and back follow each other in a 4:1 ratio. Automatic adjustment of the swing resistance adapted for people from 50 kg to 120 kg. The back can be locked in an upright position. Two armrest variants, one fixed and one adjustable. Braked castors for hard floors as standard. Adjustable lumbar support is available as an option for mesh back.

CONSTRUCTION

Back with plastic frame and plastic J-bar. Seat frame made of plywood with cold foam padding. Mechanism in recycled aluminium. Height-adjustable steel pillar. 5-star swivel made of recycled aluminum or plastic with castors, diameter 50 mm. Armrests made of molded plastic.

DIMENSIONS

Height: 980-1100 mm

Seat height (with load): 400-520 mm

Sit depth: 440 mm

Seat width: 475 mm

Backrest H: 550 mm

Backrest W: 455 mm

Total depth: 660 mm

Base diameter: 710 mm

WEIGHT

8.0 kg

TESTED

EN 1335-1, EN 1335-2:2018

WARRANTY5 years
