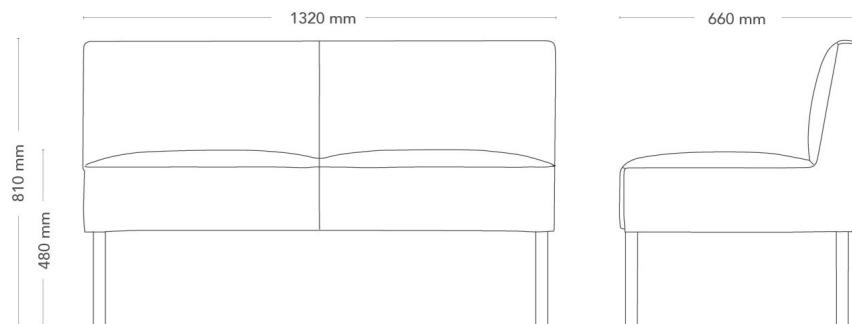


# Mingle Lounge

## SOFA, 2-SEATER

Mingle Lounge is a sofa series with generous dimensions for relaxed seating in the open office, the lounge, restaurant or café. The many options offer a great variety of shapes, sizes and heights. Bench, armchair, and sofa can be built into both open and secluded spaces. Place a two-seater sofa in the reception, or let a creative Mingle combination meander through the office landscape.

Mingle Lounge sofa is available with two or three seats and is easy to vary with two back heights, and with or without armrests / high sides. A flexible table / tablet is available as option.



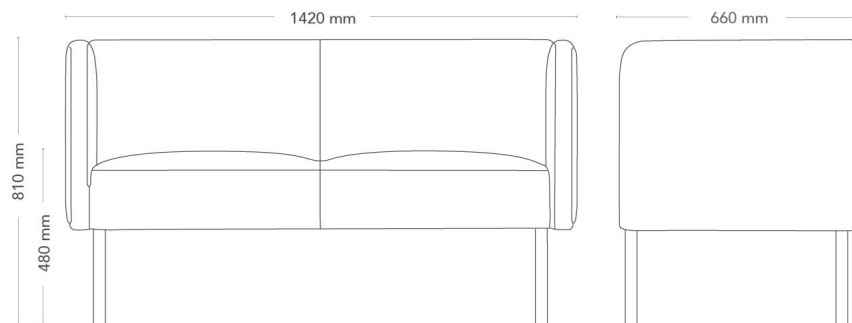
MODEL	Sofa	
VARIANTS	– Low back – Armrest – Wooden legs	– High back – Metal legs
ACCESSORIES	– Power and cable management – Flexible table	
DETAILS	– Upholstery in one or two colours. – Stand-alone or connectable units.	
CONSTRUCTION	Wooden seating frame made of wood-fibre board and solid wood. Cold-foam padding, fully upholstered. Ø30 mm straight metal legs, made of powder-coated steel tube, alternatively round, straight solid-wood legs Ø45 mm.	
DIMENSIONS	Height: 810 mm Depth: 660 mm Sit depth: 540 mm	Width: 1420 mm Seat height: 480 mm
WEIGHT	42.5 kg	
TESTED	EN 16139, EN1728	
WARRANTY	5 years	

# Mingle Lounge

## SOFA, 2-SEATER

Mingle Lounge is a sofa series with generous dimensions for relaxed seating in the open office, the lounge, restaurant or café. The many options offer a great variety of shapes, sizes and heights. Bench, armchair, and sofa can be built into both open and secluded spaces. Place a two-seater sofa in the reception, or let a creative Mingle combination meander through the office landscape.

Mingle Lounge sofa is available with two or three seats and is easy to vary with two back heights, and with or without armrests / high sides. A flexible table / tablet is available as option.



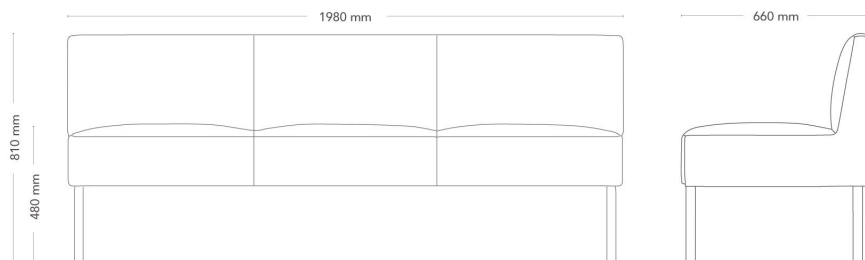
MODEL	Sofa	
VARIANTS	– Low back – Armrest – Wooden legs	– High back – Metal legs
ACCESSORIES	– Power and cable management – Flexible table	
DETAILS	– Upholstery in one or two colours. – Stand-alone or connectable units.	
CONSTRUCTION	Wooden seating frame made of wood-fibre board and solid wood. Cold-foam padding, fully upholstered. Ø30 mm straight metal legs, made of powder-coated steel tube, alternatively round, straight solid-wood legs Ø45 mm.	
DIMENSIONS	Height: 810 mm Depth: 660 mm Sit depth: 540 mm	Width: 1420 mm Seat height: 480 mm
WEIGHT	42.5 kg	
TESTED	EN 16139, EN1728	
WARRANTY	5 years	

# Mingle Lounge

SOFA, 3-SEATER

Mingle Lounge is a sofa series with generous dimensions for relaxed seating in the open office, the lounge, restaurant or café. The many options offer a great variety of shapes, sizes and heights. Bench, armchair, and sofa can be built into both open and secluded spaces. Place a two-seater sofa in the reception, or let a creative Mingle combination meander through the office landscape.

Mingle Lounge sofa is available with two or three seats and is easy to vary with two back heights, and with or without armrests / high sides. A flexible table / tablet is available as option.



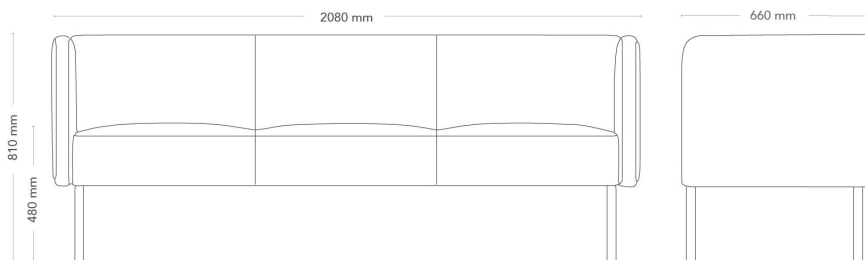
MODEL	Sofa	
VARIANTS	<ul style="list-style-type: none"> <li>– Low back</li> <li>– Armrest</li> <li>– Wooden legs</li> </ul>	<ul style="list-style-type: none"> <li>– High back</li> <li>– Metal legs</li> </ul>
ACCESSORIES	<ul style="list-style-type: none"> <li>– Power and cable management</li> <li>– Flexible table</li> </ul>	
DETAILS	<ul style="list-style-type: none"> <li>– Upholstery in one or two colours.</li> <li>– Stand-alone or connectable units.</li> </ul>	
CONSTRUCTION	Wooden seating frame made of wood-fibre board and solid wood. Cold-foam padding, fully upholstered. Ø30 mm straight metal legs, made of powder-coated steel tube, alternatively round, straight solid-wood legs Ø45 mm.	
DIMENSIONS	Height: 810 mm Depth: 660 mm Sit depth: 540 mm	Width: 1980 mm Seat height: 480 mm
WEIGHT	36.8 kg	
TESTED	EN 16139, EN1728	
WARRANTY	5 years	

# Mingle Lounge

SOFA, 3-SEATER

Mingle Lounge is a sofa series with generous dimensions for relaxed seating in the open office, the lounge, restaurant or café. The many options offer a great variety of shapes, sizes and heights. Bench, armchair, and sofa can be built into both open and secluded spaces. Place a two-seater sofa in the reception, or let a creative Mingle combination meander through the office landscape.

Mingle Lounge sofa is available with two or three seats and is easy to vary with two back heights, and with or without armrests / high sides. A flexible table / tablet is available as option.



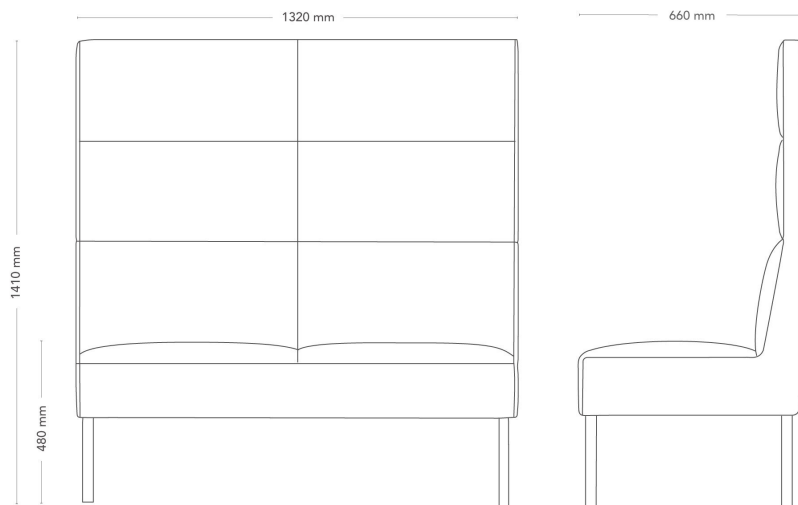
MODEL	Sofa	
VARIANTS	– Low back – Armrest – Wooden legs	– High back – Metal legs
ACCESSORIES	– Power and cable management – Flexible table	
DETAILS	– Upholstery in one or two colours. – Stand-alone or connectable units.	
CONSTRUCTION	Wooden seating frame made of wood-fibre board and solid wood. Cold-foam padding, fully upholstered. Ø30 mm straight metal legs, made of powder-coated steel tube, alternatively round, straight solid-wood legs Ø45 mm.	
DIMENSIONS	Height: 810 mm Depth: 660 mm Sit depth: 540 mm	Width: 2080 mm Seat height: 480 mm
WEIGHT	51.6 kg	
TESTED	EN 16139, EN1728	
WARRANTY	5 years	

# Mingle Lounge

SOFA WITH HIGH BACK, 2-SEATER

Mingle Lounge is a sofa series with generous dimensions for relaxed seating in the open office, the lounge, restaurant or café. The many options offer a great variety of shapes, sizes and heights. Bench, armchair, and sofa can be built into both open and secluded spaces. Place a two-seater sofa in the reception, or let a creative Mingle combination meander through the office landscape.

Mingle Lounge sofa is available with two or three seats and is easy to vary with two back heights, and with or without armrests / high sides. A flexible table / tablet is available as option.



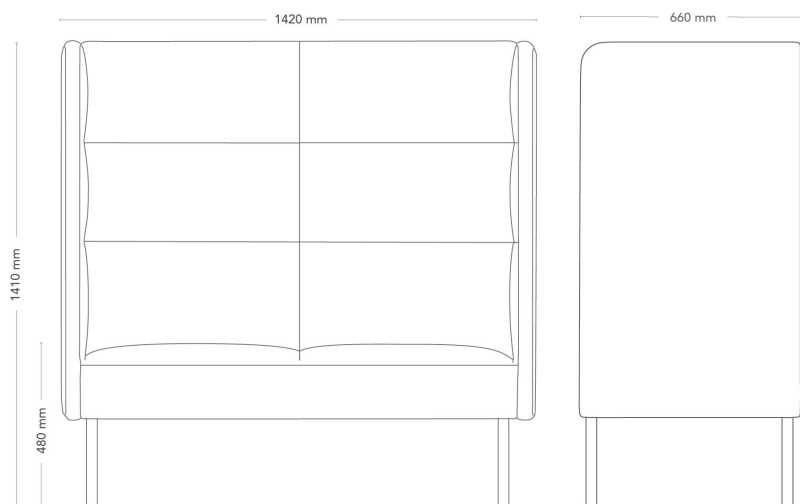
MODEL	Sofa	
VARIANTS	– Low back – Armrest – Wooden legs	– High back – Metal legs
ACCESSORIES	– Power and cable management – Flexible table	
DETAILS	– Upholstery in one or two colours. – Stand-alone or connectable units.	
CONSTRUCTION	Wooden seating frame made of wood-fibre board and solid wood. Cold-foam padding, fully upholstered. Ø30 mm straight metal legs, made of powder-coated steel tube, alternatively round, straight solid-wood legs Ø45 mm.	
DIMENSIONS	Height: 1410 mm Depth: 660 mm Sit depth: 540 mm	Width: 1320 mm Seat height: 480 mm
WEIGHT	34.5 kg	
TESTED	EN 16139, EN1728	
WARRANTY	5 years	

# Mingle Lounge

SOFA WITH HIGH BACK AND SIDES, 2-SEATER

Mingle Lounge is a sofa series with generous dimensions for relaxed seating in the open office, the lounge, restaurant or café. The many options offer a great variety of shapes, sizes and heights. Bench, armchair, and sofa can be built into both open and secluded spaces. Place a two-seater sofa in the reception, or let a creative Mingle combination meander through the office landscape.

Mingle Lounge sofa is available with two or three seats and is easy to vary with two back heights, and with or without armrests / high sides. A flexible table / tablet is available as option.



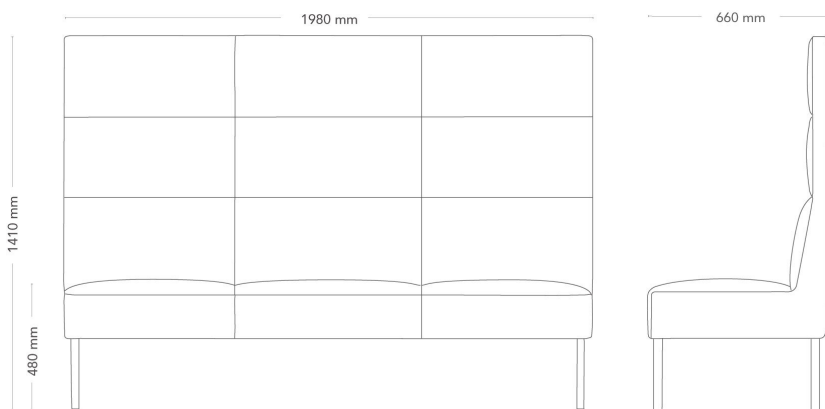
MODEL	Sofa	
VARIANTS	– Low back – Armrest – Wooden legs	– High back – Metal legs
ACCESSORIES	– Power and cable management – Flexible table	
DETAILS	– Upholstery in one or two colours. – Stand-alone or connectable units.	
CONSTRUCTION	Wooden seating frame made of wood-fibre board and solid wood. Cold-foam padding, fully upholstered. Ø30 mm straight metal legs, made of powder-coated steel tube, alternatively round, straight solid-wood legs Ø45 mm.	
DIMENSIONS	Height: 1410 mm Depth: 660 mm Sit depth: 540 mm	Width: 1420 mm Seat height: 480 mm
WEIGHT	57.3 kg	
TESTED	EN 16139, EN1728	
WARRANTY	5 years	

# Mingle Lounge

SOFA WITH HIGH BACK, 3-SEATER

Mingle Lounge is a sofa series with generous dimensions for relaxed seating in the open office, the lounge, restaurant or café. The many options offer a great variety of shapes, sizes and heights. Bench, armchair, and sofa can be built into both open and secluded spaces. Place a two-seater sofa in the reception, or let a creative Mingle combination meander through the office landscape.

Mingle Lounge sofa is available with two or three seats and is easy to vary with two back heights, and with or without armrests / high sides. A flexible table / tablet is available as option.



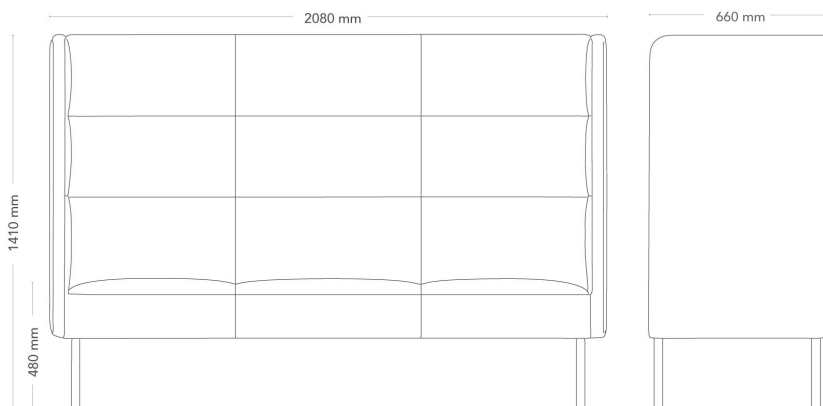
MODEL	Sofa	
VARIANTS	– Low back – Armrest – Wooden legs	– High back – Metal legs
ACCESSORIES	– Power and cable management – Flexible table	
DETAILS	– Upholstery in one or two colours. – Stand-alone or connectable units.	
CONSTRUCTION	Wooden seating frame made of wood-fibre board and solid wood. Cold-foam padding, fully upholstered. Ø30 mm straight metal legs, made of powder-coated steel tube, alternatively round, straight solid-wood legs Ø45 mm.	
DIMENSIONS	Height: 1410 mm Depth: 660 mm Sit depth: 540 mm	Width: 1980 mm Seat height: 480 mm
WEIGHT	48.2 kg	
TESTED	EN 16139, EN1728	
WARRANTY	5 years	

# Mingle Lounge

SOFA WITH HIGH BACK AND SIDES, 3-SEATER

Mingle Lounge is a sofa series with generous dimensions for relaxed seating in the open office, the lounge, restaurant or café. The many options offer a great variety of shapes, sizes and heights. Bench, armchair, and sofa can be built into both open and secluded spaces. Place a two-seater sofa in the reception, or let a creative Mingle combination meander through the office landscape.

Mingle Lounge sofa is available with two or three seats and is easy to vary with two back heights, and with or without armrests / high sides. A flexible table / tablet is available as option.



MODEL	Sofa	
VARIANTS	– Low back – Armrest – Wooden legs	– High back – Metal legs
ACCESSORIES	– Power and cable management – Flexible table	
DETAILS	– Upholstery in one or two colours. – Stand-alone or connectable units.	
CONSTRUCTION	Wooden seating frame made of wood-fibre board and solid wood. Cold-foam padding, fully upholstered. Ø30 mm straight metal legs, made of powder-coated steel tube, alternatively round, straight solid-wood legs Ø45 mm.	
DIMENSIONS	Height: 1410 mm Depth: 660 mm Sit depth: 540 mm	Width: 2080 mm Seat height: 480 mm
WEIGHT	71.0 kg	
TESTED	EN 16139, EN1728	
WARRANTY	5 years	

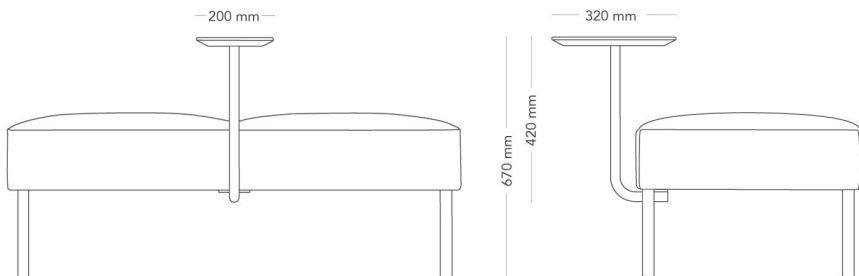


# Mingle Lounge

## TABLE

Mingle Lounge is a sofa series with generous dimensions for relaxed seating in the open office, the lounge, restaurant or café. The many options offer a great variety of shapes, sizes and heights. Bench, armchair, and sofa can be built into both open and secluded spaces. Place a two-seater sofa in the reception, or let a creative Mingle combination meander through the office landscape.

Mingle Lounge sofa is available with two or three seats and is easy to vary with two back heights, and with or without armrests / high sides. A flexible table / tablet is available as option.



MODEL	Sofa	
VARIANTS	– Low back – Armrest – Wooden legs	– High back – Metal legs
ACCESSORIES	– Power and cable management – Flexible table	
DETAILS	– Upholstery in one or two colours. – Stand-alone or connectable units.	
CONSTRUCTION	Wooden seating frame made of wood-fibre board and solid wood. Cold-foam padding, fully upholstered. Ø30 mm straight metal legs, made of powder-coated steel tube, alternatively round, straight solid-wood legs Ø45 mm.	
DIMENSIONS	Height: 420 mm Depth: 320 mm	Width: 200 mm
WEIGHT	5.9 kg	
TESTED	EN 16139, EN1728	
WARRANTY	5 years	