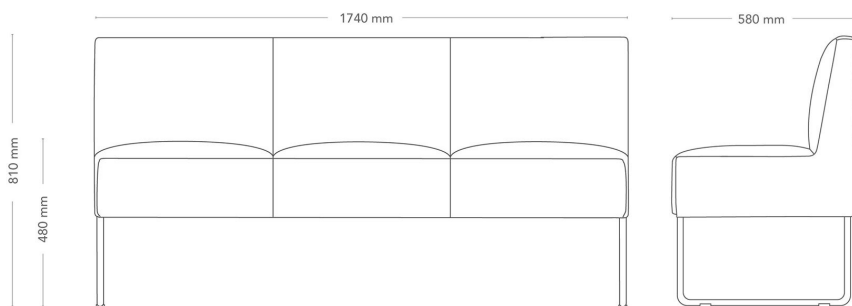


Mingle

SOFA, 3-SEATER

Mingle is a modular sofa system designed to allow for flexible and comfortable seating solutions on a small surface. With straight or curved modules for seats and tables, as well as fixed combinations, Mingle offers many possibilities for modern and scalable lounge- and seating areas or meeting places.

Mingle sofa is available as two- or three- seater and is easy to vary with two back heights, and with or without armrests / high sides. With the high back, the sofa also serves as secluded seating for the room-in-room and meeting area. A small, flexible table which is fastened under the seat is available as option.



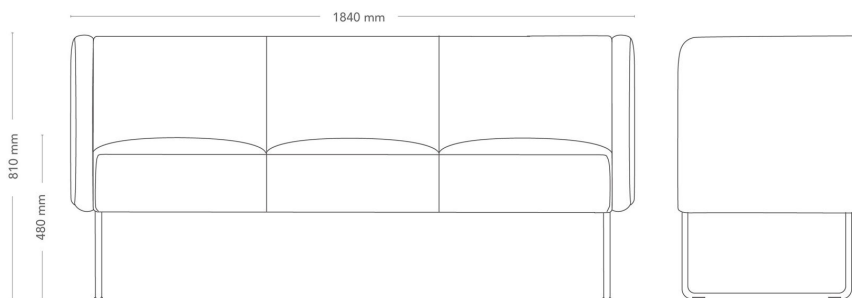
MODEL	Sofa	
VARIANTS	<ul style="list-style-type: none"> – Low back – Divided seat and back – Sledge – Wooden legs 	<ul style="list-style-type: none"> – High back – Armrests – Metal legs
ACCESSORIES	<ul style="list-style-type: none"> – Connection fitting – Power and cable management 	
DETAILS	<ul style="list-style-type: none"> – Möbelfakta exception: chrome sledge and wooden legs not included in the Möbelfakta certificate. Upholstery in two different colors of fabric or leather. 	
CONSTRUCTION	<p>Wooden seating frame made of board and solid wood. Cold-foam padding, fully upholstered. Sledge frame, made of Ø12 mm steel tube. Ø30 mm straight metal legs, made of powder-coated steel tube. Round, straight solid-wood legs Ø45 mm.</p>	
DIMENSIONS	<p>Height: 810 mm</p> <p>Depth: 580 mm</p>	<p>Width: 1740 mm</p> <p>Seat height: 480 mm</p>
WEIGHT	32.0 kg	
TESTED	EN 16139, EN 1728	
WARRANTY	5 years	

Mingle

SOFA, 3-SEATER

Mingle is a modular sofa system designed to allow for flexible and comfortable seating solutions on a small surface. With straight or curved modules for seats and tables, as well as fixed combinations, Mingle offers many possibilities for modern and scalable lounge- and seating areas or meeting places.

Mingle sofa is available as two- or three- seater and is easy to vary with two back heights, and with or without armrests / high sides. With the high back, the sofa also serves as secluded seating for the room-in-room and meeting area. A small, flexible table which is fastened under the seat is available as option.



MODEL	Sofa	
VARIANTS	<ul style="list-style-type: none"> – Low back – Divided seat and back – Sledge – Wooden legs 	<ul style="list-style-type: none"> – High back – Armrests – Metal legs
ACCESSORIES	<ul style="list-style-type: none"> – Connection fitting – Power and cable management 	
DETAILS	<ul style="list-style-type: none"> – Möbelfakta exception: chrome sledge and wooden legs not included in the Möbelfakta certificate. Upholstery in two different colors of fabric or leather. 	
CONSTRUCTION	<p>Wooden seating frame made of board and solid wood. Cold-foam padding, fully upholstered. Sledge frame, made of Ø12 mm steel tube. Ø30 mm straight metal legs, made of powder-coated steel tube. Round, straight solid-wood legs Ø45 mm.</p>	
DIMENSIONS	<p>Height: 810 mm</p> <p>Depth: 580 mm</p> <p>Sit depth: 450 mm</p>	<p>Width: 1840 mm</p> <p>Seat height: 480 mm</p>
WEIGHT	45.0 kg	
TESTED	EN 16139, EN 1728	

WARRANTY

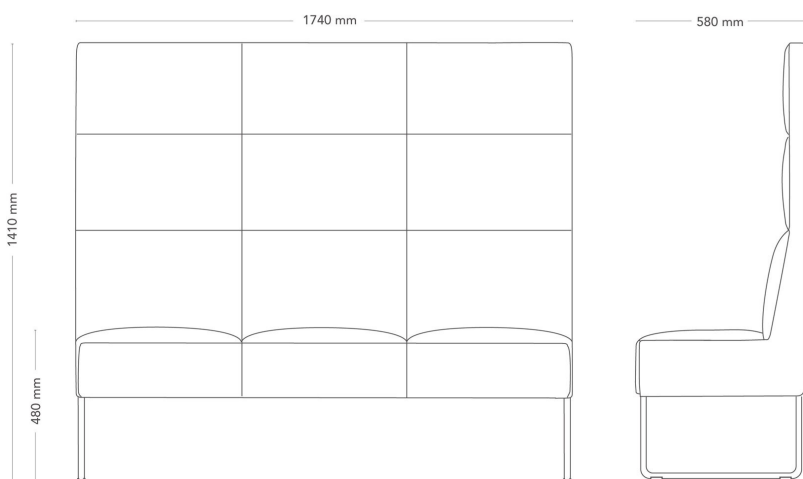
5 years

Mingle

SOFA WITH HIGH BACK, 3-SEATER

Mingle is a modular sofa system designed to allow for flexible and comfortable seating solutions on a small surface. With straight or curved modules for seats and tables, as well as fixed combinations, Mingle offers many possibilities for modern and scalable lounge- and seating areas or meeting places.

Mingle sofa is available as two- or three- seater and is easy to vary with two back heights, and with or without armrests / high sides. With the high back, the sofa also serves as secluded seating for the room-in-room and meeting area. A small, flexible table which is fastened under the seat is available as option.



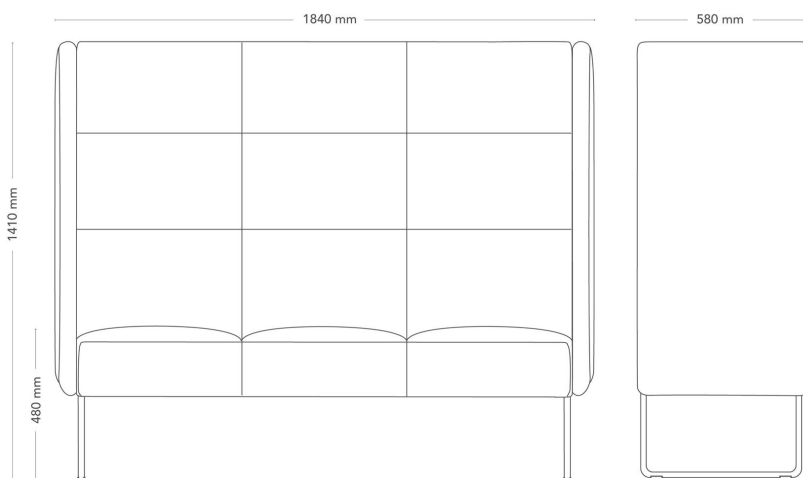
MODEL	Sofa	
VARIANTS	<ul style="list-style-type: none"> – Low back – Divided seat and back – Sledge – Wooden legs 	<ul style="list-style-type: none"> – High back – Armrests – Metal legs
ACCESSORIES	<ul style="list-style-type: none"> – Connection fitting – Power and cable management 	
DETAILS	<ul style="list-style-type: none"> – Möbelfakta exception: chrome sledge and wooden legs not included in the Möbelfakta certificate. Upholstery in two different colors of fabric or leather. 	
CONSTRUCTION	<p>Wooden seating frame made of board and solid wood. Cold-foam padding, fully upholstered. Sledge frame, made of Ø12 mm steel tube. Ø30 mm straight metal legs, made of powder-coated steel tube. Round, straight solid-wood legs Ø45 mm.</p>	
DIMENSIONS	<p>Height: 1410 mm</p> <p>Depth: 580 mm</p> <p>Sit depth: 450 mm</p>	<p>Width: 1740 mm</p> <p>Seat height: 480 mm</p>
TESTED	EN 16139, EN 1728	
WARRANTY	5 years	

Mingle

SOFA WITH HIGH BACK AND SIDES, 3-SEATER

Mingle is a modular sofa system designed to allow for flexible and comfortable seating solutions on a small surface. With straight or curved modules for seats and tables, as well as fixed combinations, Mingle offers many possibilities for modern and scalable lounge- and seating areas or meeting places.

Mingle sofa is available as two- or three- seater and is easy to vary with two back heights, and with or without armrests / high sides. With the high back, the sofa also serves as secluded seating for the room-in-room and meeting area. A small, flexible table which is fastened under the seat is available as option.



MODEL	Sofa	
VARIANTS	<ul style="list-style-type: none"> – Low back – Divided seat and back – Sledge – Wooden legs 	<ul style="list-style-type: none"> – High back – Armrests – Metal legs
ACCESSORIES	<ul style="list-style-type: none"> – Connection fitting – Power and cable management 	
DETAILS	<ul style="list-style-type: none"> – Möbelfakta exception: chrome sledge and wooden legs not included in the Möbelfakta certificate. Upholstery in two different colors of fabric or leather. 	
CONSTRUCTION	<p>Wooden seating frame made of board and solid wood. Cold-foam padding, fully upholstered. Sledge frame, made of Ø12 mm steel tube. Ø30 mm straight metal legs, made of powder-coated steel tube. Round, straight solid-wood legs Ø45 mm.</p>	
DIMENSIONS	<p>Height: 1410 mm</p> <p>Depth: 580 mm</p> <p>Sit depth: 450 mm</p>	<p>Width: 1840 mm</p> <p>Seat height: 480 mm</p>
WEIGHT	36.0 kg	
TESTED	EN 16139, EN 1728	

WARRANTY

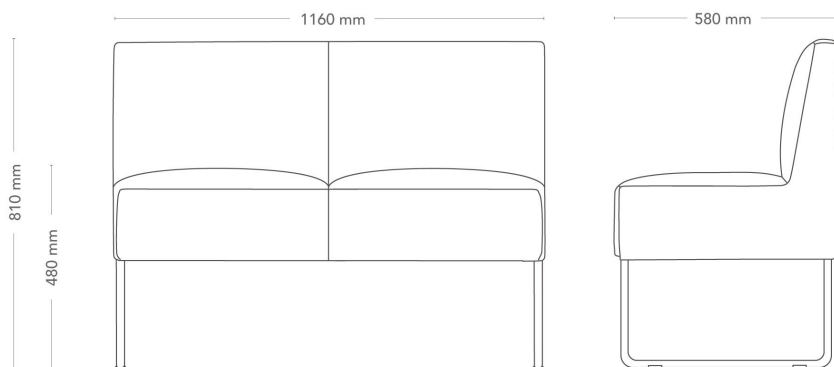
5 years

Mingle

SOFA, 2-SEATER

Mingle is a modular sofa system designed to allow for flexible and comfortable seating solutions on a small surface. With straight or curved modules for seats and tables, as well as fixed combinations, Mingle offers many possibilities for modern and scalable lounge- and seating areas or meeting places.

Mingle sofa is available as two- or three- seater and is easy to vary with two back heights, and with or without armrests / high sides. With the high back, the sofa also serves as secluded seating for the room-in-room and meeting area. A small, flexible table which is fastened under the seat is available as option.



MODEL	Sofa	
VARIANTS	<ul style="list-style-type: none"> – Low back – Divided seat and back – Sledge – Wooden legs 	<ul style="list-style-type: none"> – High back – Armrests – Metal legs
ACCESSORIES	<ul style="list-style-type: none"> – Connection fitting – Power and cable management 	
DETAILS	<ul style="list-style-type: none"> – Möbelfakta exception: chrome sledge and wooden legs not included in the Möbelfakta certificate. Upholstery in two different colors of fabric or leather. 	
CONSTRUCTION	<p>Wooden seating frame made of board and solid wood. Cold-foam padding, fully upholstered. Sledge frame, made of Ø12 mm steel tube. Ø30 mm straight metal legs, made of powder-coated steel tube. Round, straight solid-wood legs Ø45 mm.</p>	
DIMENSIONS	<p>Height: 810 mm</p> <p>Depth: 580 mm</p> <p>Sit depth: 450 mm</p>	<p>Width: 1160 mm</p> <p>Seat height: 480 mm</p>
WEIGHT	24.0 kg	
TESTED	EN 16139, EN 1728	

WARRANTY

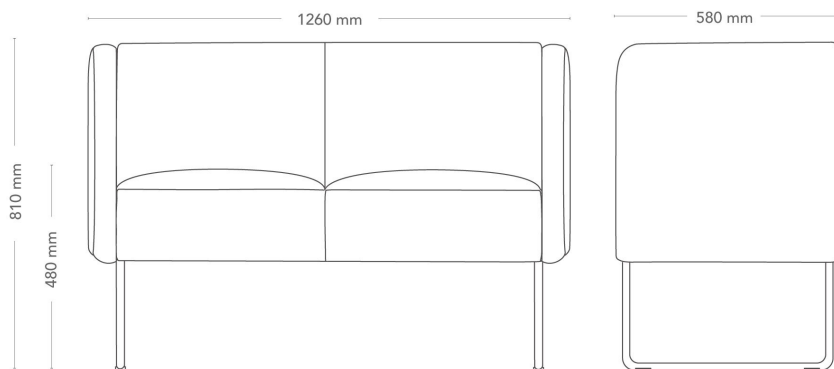
5 years

Mingle

SOFA, 2-SEATER

Mingle is a modular sofa system designed to allow for flexible and comfortable seating solutions on a small surface. With straight or curved modules for seats and tables, as well as fixed combinations, Mingle offers many possibilities for modern and scalable lounge- and seating areas or meeting places.

Mingle sofa is available as two- or three- seater and is easy to vary with two back heights, and with or without armrests / high sides. With the high back, the sofa also serves as secluded seating for the room-in-room and meeting area. A small, flexible table which is fastened under the seat is available as option.



MODEL	Sofa	
VARIANTS	<ul style="list-style-type: none"> – Low back – Divided seat and back – Sledge – Wooden legs 	<ul style="list-style-type: none"> – High back – Armrests – Metal legs
ACCESSORIES	<ul style="list-style-type: none"> – Connection fitting – Power and cable management 	
DETAILS	<ul style="list-style-type: none"> – Möbelfakta exception: chrome sledge and wooden legs not included in the Möbelfakta certificate. Upholstery in two different colors of fabric or leather. 	
CONSTRUCTION	<p>Wooden seating frame made of board and solid wood. Cold-foam padding, fully upholstered. Sledge frame, made of Ø12 mm steel tube. Ø30 mm straight metal legs, made of powder-coated steel tube. Round, straight solid-wood legs Ø45 mm.</p>	
DIMENSIONS	<p>Height: 810 mm</p> <p>Depth: 580 mm</p> <p>Sit depth: 450 mm</p>	<p>Width: 1260 mm</p> <p>Seat height: 480 mm</p>
WEIGHT	37.0 kg	
TESTED	EN 16139, EN 1728	

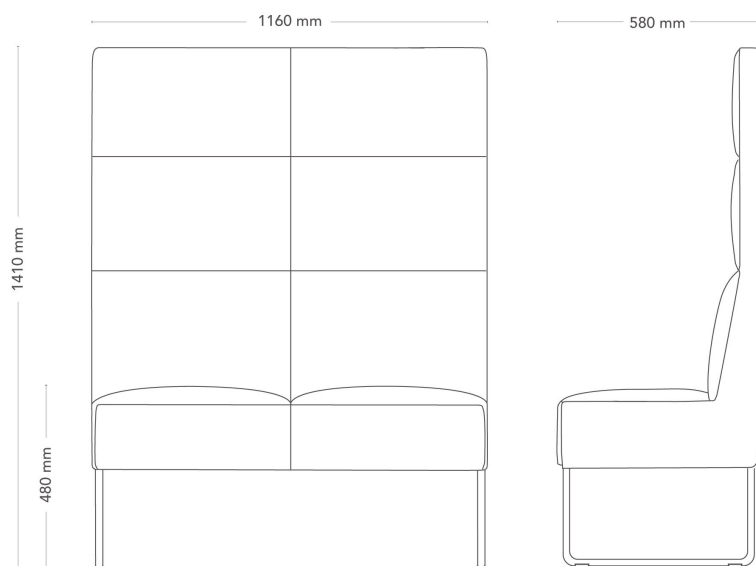
WARRANTY

5 years

Mingle

Mingle is a modular sofa system designed to allow for flexible and comfortable seating solutions on a small surface. With straight or curved modules for seats and tables, as well as fixed combinations, Mingle offers many possibilities for modern and scalable lounge- and seating areas or meeting places.

Mingle sofa is available as two- or three- seater and is easy to vary with two back heights, and with or without armrests / high sides. With the high back, the sofa also serves as secluded seating for the room-in-room and meeting area. A small, flexible table which is fastened under the seat is available as option.

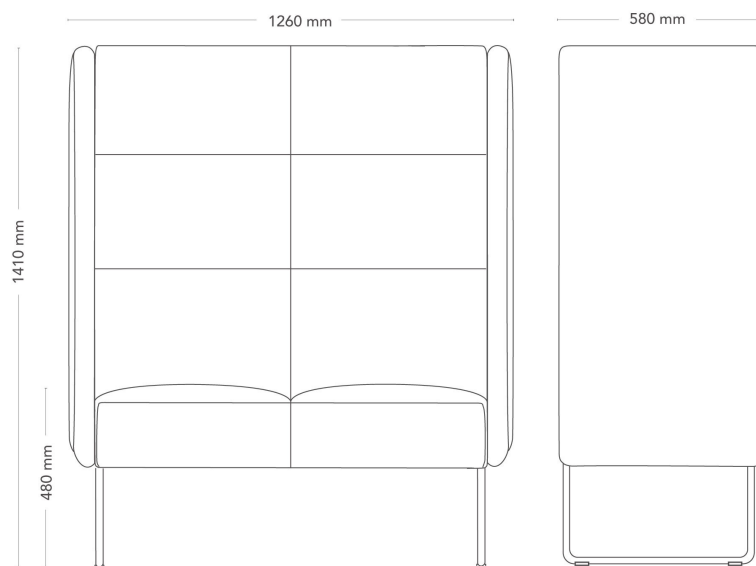


MODEL	Sofa	
VARIANTS	<ul style="list-style-type: none"> – Low back – Divided seat and back – Sledge – Wooden legs 	<ul style="list-style-type: none"> – High back – Armrests – Metal legs
ACCESSORIES	<ul style="list-style-type: none"> – Connection fitting – Power and cable management 	
DETAILS	<ul style="list-style-type: none"> – Möbelfakta exception: chrome sledge and wooden legs not included in the Möbelfakta certificate. Upholstery in two different colors of fabric or leather. 	
CONSTRUCTION	<p>Wooden seating frame made of board and solid wood. Cold-foam padding, fully upholstered. Sledge frame, made of Ø12 mm steel tube. Ø30 mm straight metal legs, made of powder-coated steel tube. Round, straight solid-wood legs Ø45 mm.</p>	
DIMENSIONS	<p>Height: 1410 mm</p> <p>Depth: 580 mm</p> <p>Sit depth: 450 mm</p>	<p>Width: 1160 mm</p> <p>Seat height: 480 mm</p>
TESTED	EN 16139, EN 1728	
WARRANTY	5 years	

Mingle

Mingle is a modular sofa system designed to allow for flexible and comfortable seating solutions on a small surface. With straight or curved modules for seats and tables, as well as fixed combinations, Mingle offers many possibilities for modern and scalable lounge- and seating areas or meeting places.

Mingle sofa is available as two- or three- seater and is easy to vary with two back heights, and with or without armrests / high sides. With the high back, the sofa also serves as secluded seating for the room-in-room and meeting area. A small, flexible table which is fastened under the seat is available as option.



MODEL	Sofa	
VARIANTS	<ul style="list-style-type: none"> – Low back – Divided seat and back – Sledge – Wooden legs 	<ul style="list-style-type: none"> – High back – Armrests – Metal legs
ACCESSORIES	<ul style="list-style-type: none"> – Connection fitting – Power and cable management 	
DETAILS	<ul style="list-style-type: none"> – Möbelfakta exception: chrome sledge and wooden legs not included in the Möbelfakta certificate. Upholstery in two different colors of fabric or leather. 	
CONSTRUCTION	<p>Wooden seating frame made of board and solid wood. Cold-foam padding, fully upholstered. Sledge frame, made of Ø12 mm steel tube. Ø30 mm straight metal legs, made of powder-coated steel tube. Round, straight solid-wood legs Ø45 mm.</p>	
DIMENSIONS	<p>Height: 1410 mm</p> <p>Depth: 580 mm</p> <p>Sit depth: 450 mm</p>	<p>Width: 1260 mm</p> <p>Seat height: 480 mm</p>
WEIGHT	36.0 kg	
TESTED	EN 16139, EN 1728	

WARRANTY

5 years
