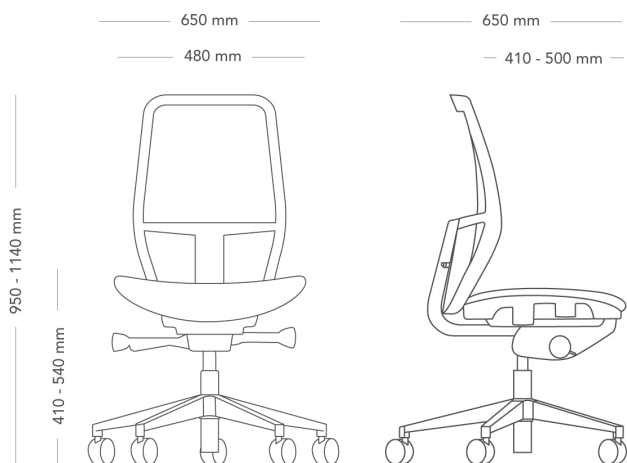


Savo Soul Air

SAVO SOUL AIR WORKCHAIR

Ideal for shared and flexible office spaces, Savo Soul Air is constructed with a hygienic mesh back and seat to promote airflow, reduce heat buildup, and ensure effortless cleaning. Instantly intuitive, the chair features Flexi Back- technology that automatically adapts to the user’s weight and movements, offering exceptional comfort and spinal support with minimal adjustments.

Lightweight yet durable, Soul Air combines Scandinavian-inspired design with innovation and functionality to deliver a chair that enhances the seating experience while reducing environmental impact. Crafted with 79% recycled mesh material and a foam-free air-based structure, Soul Air is 97% recyclable, reflecting Savo’s unwavering commitment to sustainability and ingenuitive approach to product design.



MODEL	Savo Soul Air workchair	
ACCESSORIES	<ul style="list-style-type: none"> – Armrests – Neckrest – Options for castors 	
CONSTRUCTION	Back and seat with frame and J-bar made of recycled plastic covered with mesh fabric in 79% recycled polyester. Mechanism cast in recycled aluminium. Height-adjustable steel gas column. 5-star swivel base made of cast recycled aluminum alternatively recycled plastic with with castors, diameter 60 mm. Armrest (accessory) made of molded recycled plastic and die-cast recycled aluminium. Headrest (accessory) with recycled plastic frame and cold-foam padding,	
DIMENSIONS	Height: 950-1140 mm Depth: 650 mm Seat height: 410-540 mm	Width: 650 mm Seat height (with load): 400-530 mm Sit depth: 410-500 mm
WEIGHT	13.0 kg	
TESTED	EN1335	
WARRANTY	10 years	