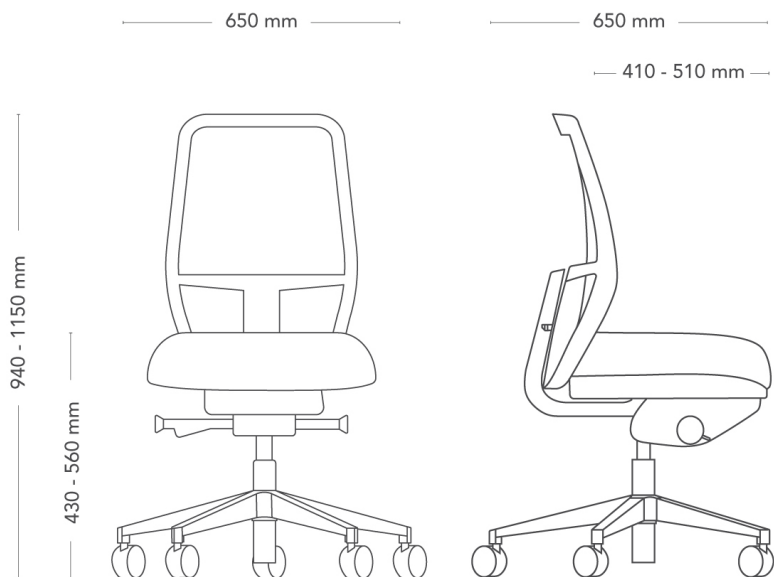


Savo Soul

MESH BACK 50 (SOFT SEAT)

Savo Soul is an ergonomic office chair, without being complex, so that it can interact with the body in perfect harmony. It is a chair for everyone, it is easy to use, immediately adapts itself to the user and has an intuitive design. The chair can be fine-tuned as needed, so that you can sit well all day long. The backrest and seat are synchronized for an extra smooth feeling and the automatic adjustment of the back resistance means that you can safely lean back with comfortable support. The seat and backrest can be tilted independently in several angles. The Flexi Back® function follows the body's movements automatically, even sideways, which keeps the back upright providing optimal support in all positions.



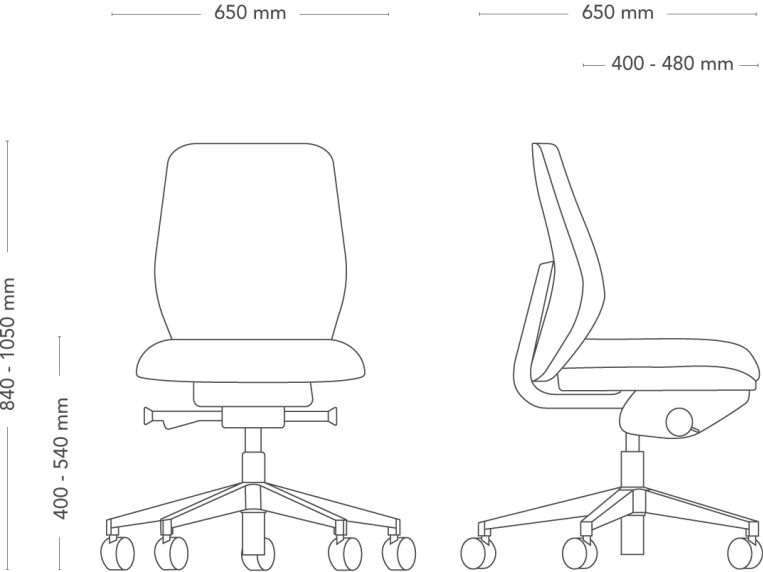
MODEL	Savo Soul workchair	
VARIANTS	<ul style="list-style-type: none"> – Seat Small – Seat Soft – Seat Medium 	
ACCESSORIES	<ul style="list-style-type: none"> – Neckrest – Armrests – Options for castors 	
CONSTRUCTION	<p>Black back, with frame and J-bar in recycled plastic and cold foam (upholstered back). White back, with frame and J-bar in plastic and cold foam (upholstered back). Seat frame in plastic, with cold foam padding. Mechanism in cast recycled aluminium. Height-adjustable gas lift in steel. Black 5-star swivel base, in cast recycled plastic or recycled aluminium, with castors Ø 60 mm. White 5-star swivel base, in cast plastic, with castors Ø 60 mm. (option) Polished 5-star swivel base, in cast recycled aluminium. Armrests (option), in black injection-moulded recycled plastic or white injection-moulded plastic. Headrest (option), with frame in black recycled plastic and cold foam padding, or white with frame in plastic and cold foam padding.</p>	
DIMENSIONS	<p>Height: 940-1150 mm</p> <p>Depth: 650 mm</p> <p>Back W: 420 mm</p> <p>Back H: 590 mm</p>	<p>Width: 650 mm</p> <p>Seat height (with load): 430-560 mm</p>

WEIGHT	13.3 kg
TESTED	EN1335- 1, -2:2018, EN1728
WARRANTY	10 years

Savo Soul

40 BACK (SMALL SEAT)

Savo Soul is an ergonomic office chair, without being complex, so that it can interact with the body in perfect harmony. It is a chair for everyone, it is easy to use, immediately adapts itself to the user and has an intuitive design. The chair can be fine-tuned as needed, so that you can sit well all day long. The backrest and seat are synchronized for an extra smooth feeling and the automatic adjustment of the back resistance means that you can safely lean back with comfortable support. The seat and backrest can be tilted independently in several angles. The Flexi Back® function follows the body's movements automatically, even sideways, which keeps the back upright providing optimal support in all positions.



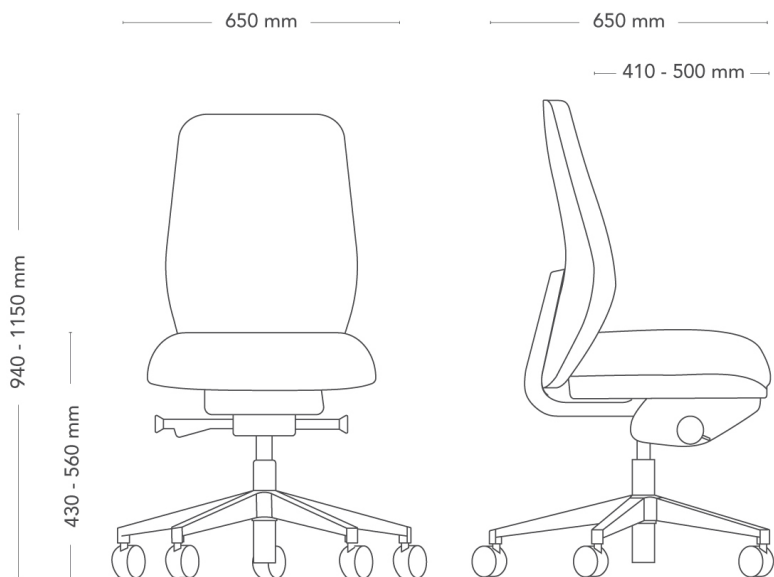
MODEL	Savo Soul workchair	
VARIANTS	<ul style="list-style-type: none"> - Back 40 - Back 60 - Seat Small - Seat Soft 	<ul style="list-style-type: none"> - Back 50 - Mesh back - Seat Medium
ACCESSORIES	<ul style="list-style-type: none"> - Neckrest - Armrests - Options for castors 	
CONSTRUCTION	<p>Black back, with frame and J-bar in recycled plastic and cold foam (upholstered back). White back, with frame and J-bar in plastic and cold foam (upholstered back). Seat frame in plastic, with cold foam padding. Mechanism in cast recycled aluminium. Height-adjustable gas lift in steel. Black 5-star swivel base, in cast recycled plastic or recycled aluminium, with castors Ø 60 mm. White 5-star swivel base, in cast plastic, with castors Ø 60 mm. (option) Polished 5-star swivel base, in cast recycled aluminium. Armrests (option), in black injection-moulded recycled plastic or white injection-moulded plastic. Headrest (option), with frame in black recycled plastic and cold foam padding, or white with frame in plastic and cold foam padding.</p>	
DIMENSIONS	<ul style="list-style-type: none"> Height: 840-1050 mm Depth: 650 mm Backrest W: 400 mm Base diameter: 710 mm 	<ul style="list-style-type: none"> Width: 650 mm Seat height (with load): 400-540 mm Backrest H: 480 mm

WEIGHT	15.1 kg
TESTED	EN1335- 1, -2:2018, EN1728
WARRANTY	10 years

Savo Soul

50 BACK (SOFT SEAT)

Savo Soul is an ergonomic office chair, without being complex, so that it can interact with the body in perfect harmony. It is a chair for everyone, it is easy to use, immediately adapts itself to the user and has an intuitive design. The chair can be fine-tuned as needed, so that you can sit well all day long. The backrest and seat are synchronized for an extra smooth feeling and the automatic adjustment of the back resistance means that you can safely lean back with comfortable support. The seat and backrest can be tilted independently in several angles. The Flexi Back® function follows the body's movements automatically, even sideways, which keeps the back upright providing optimal support in all positions.



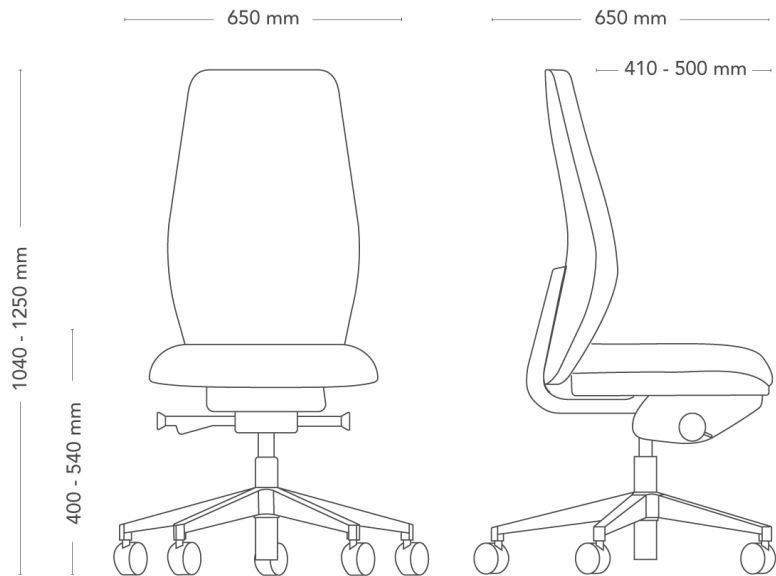
MODEL	Savo Soul workchair	
VARIANTS	<ul style="list-style-type: none"> – Back 40 – Back 60 – Seat Small – Seat Soft 	<ul style="list-style-type: none"> – Back 50 – Mesh back – Seat Medium
ACCESSORIES	<ul style="list-style-type: none"> – Neckrest – Armrests – Options for castors 	
CONSTRUCTION	<p>Black back, with frame and J-bar in recycled plastic and cold foam (upholstered back). White back, with frame and J-bar in plastic and cold foam (upholstered back). Seat frame in plastic, with cold foam padding. Mechanism in cast recycled aluminium. Height-adjustable gas lift in steel. Black 5-star swivel base, in cast recycled plastic or recycled aluminium, with castors Ø 60 mm. White 5-star swivel base, in cast plastic, with castors Ø 60 mm. (option) Polished 5-star swivel base, in cast recycled aluminium. Armrests (option), in black injection-moulded recycled plastic or white injection-moulded plastic. Headrest (option), with frame in black recycled plastic and cold foam padding, or white with frame in plastic and cold foam padding.</p>	
DIMENSIONS	<ul style="list-style-type: none"> Height: 940-1150 mm Depth: 650 mm Backrest W: 420 mm Base diameter: 710 mm 	<ul style="list-style-type: none"> Width: 650 mm Seat height (with load): 430-560 mm Backrest H: 590 mm

WEIGHT	15.7 kg
TESTED	EN1335- 1, -2:2018, EN1728
WARRANTY	10 years

Savo Soul

60 BACK (MEDIUM SEAT)

Savo Soul is an ergonomic office chair, without being complex, so that it can interact with the body in perfect harmony. It is a chair for everyone, it is easy to use, immediately adapts itself to the user and has an intuitive design. The chair can be fine-tuned as needed, so that you can sit well all day long. The backrest and seat are synchronized for an extra smooth feeling and the automatic adjustment of the back resistance means that you can safely lean back with comfortable support. The seat and backrest can be tilted independently in several angles. The Flexi Back® function follows the body's movements automatically, even sideways, which keeps the back upright providing optimal support in all positions.



MODEL	Savo Soul workchair	
VARIANTS	<ul style="list-style-type: none"> – Back 40 – Back 60 – Seat Small – Seat Soft 	<ul style="list-style-type: none"> – Back 50 – Mesh back – Seat Medium
ACCESSORIES	<ul style="list-style-type: none"> – Neckrest – Armrests – Options for castors 	
CONSTRUCTION	<p>Black back, with frame and J-bar in recycled plastic and cold foam (upholstered back). White back, with frame and J-bar in plastic and cold foam (upholstered back). Seat frame in plastic, with cold foam padding. Mechanism in cast recycled aluminium. Height-adjustable gas lift in steel. Black 5-star swivel base, in cast recycled plastic or recycled aluminium, with castors Ø 60 mm. White 5-star swivel base, in cast plastic, with castors Ø 60 mm. (option) Polished 5-star swivel base, in cast recycled aluminium. Armrests (option), in black injection-moulded recycled plastic or white injection-moulded plastic. Headrest (option), with frame in black recycled plastic and cold foam padding, or white with frame in plastic and cold foam padding.</p>	
DIMENSIONS	<p>Height: 1040-1250 mm</p> <p>Depth: 650 mm</p> <p>Backrest W: 420 mm</p> <p>Base diameter: 710 mm</p>	<p>Width: 650 mm</p> <p>Seat height (with load): 400-540 mm</p> <p>Backrest H: 670 mm</p>

WEIGHT	15.9 kg
TESTED	EN1335- 1, -2:2018, EN1728
WARRANTY	10 years
