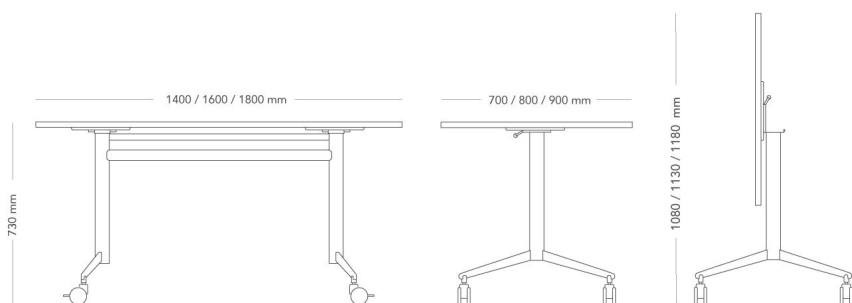


# HideAway

## PILLAR TABLE WITH TILTABLE TOP, TWO LEGS

ideAway is a family of flexible meeting and work tables with either a tiltable or folding top. HideAway is suitable for both large conference rooms and small meeting rooms, as well as in schools and other learning environments. With HideAway, the surfaces can be used to the maximum without compromising on layout or design.

HideAway with tiltable top is a genuine and sturdy table for fixed furniture, with the added advantage that the top can be tilted to the side in the event of the table needing to be moved away or stored. The top is easily operated with a grip on the handle. When the top is tilted, the table takes up minimal space.



MODEL	Pillar table with tiltable top, two legs
DETAILS	<ul style="list-style-type: none"> <li>– Rectangular tops, widths 1400-1800 mm</li> <li>– Tiltable top; the top is folded down with the help of the control / carrying handle</li> </ul>
CONSTRUCTION	Two round pillar legs in steel with control and carrying handles in zinc. Feet with wheels. 22 mm table top with core of chipboard and straight edge, coated with veneer, laminate, HPL or linoleum.
DIMENSIONS	<p>Height: 730 mm</p> <p>Length: 1400/1600/1800 mm</p> <p>Width: 700/800/900 mm</p>
WEIGHT	36.7 kg
TESTED	EN15372:2016 Level 2
WARRANTY	Five (5) years