



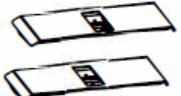




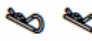





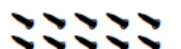
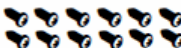
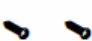
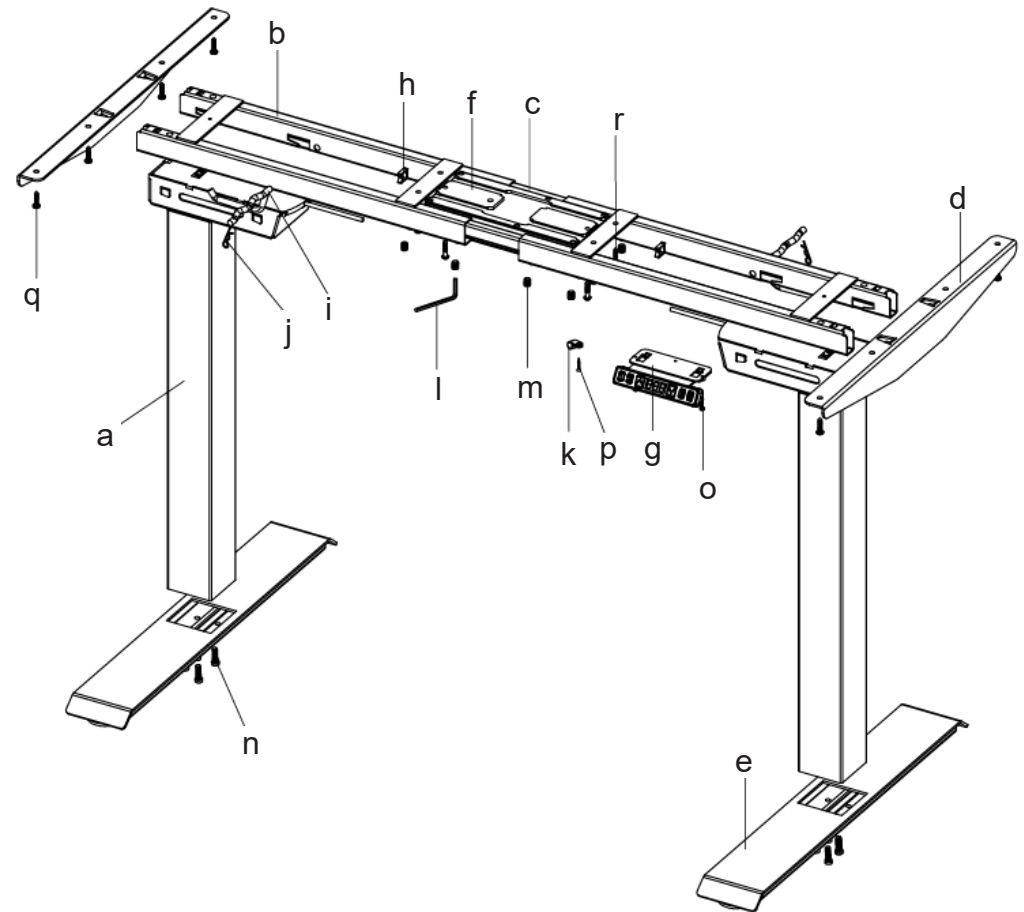


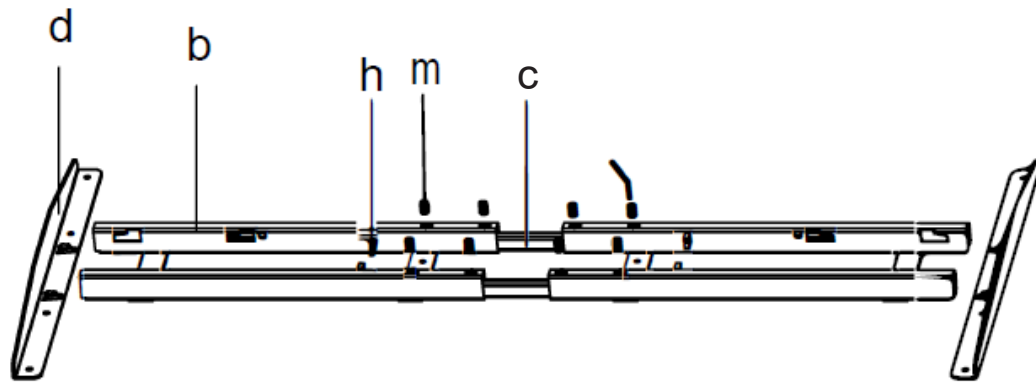
The product contains one or more of following materials:
Metal, plastic, wood, fabric, foam.



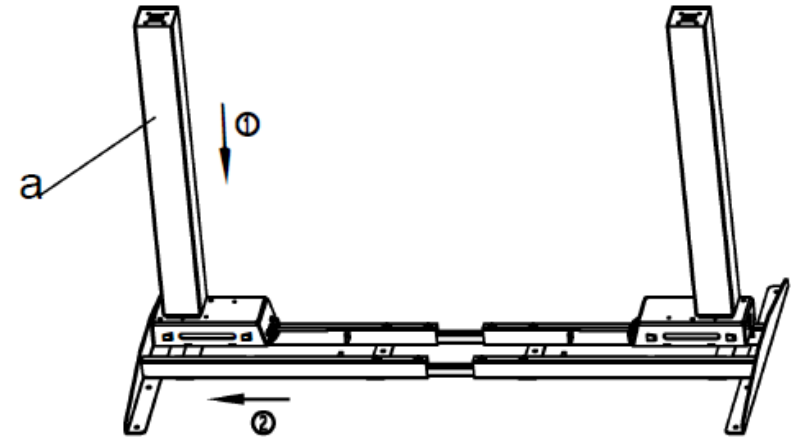
Code	Picture	Qty	Spec	Remark
a		2		
b		2		
c		2		
d		2		
e		2		
f		1		
g		1		
h		4		
i		2		
J		2		
k		10		cable clips
l		1		sw 5
m		8	M10X16	
ll		8	M6X15	
o		3	3X20	screws for handset
p		10	3.5X16	screws for cable clips
q		12	5X20	screws for desktop
r		2	5X25	screws for control box



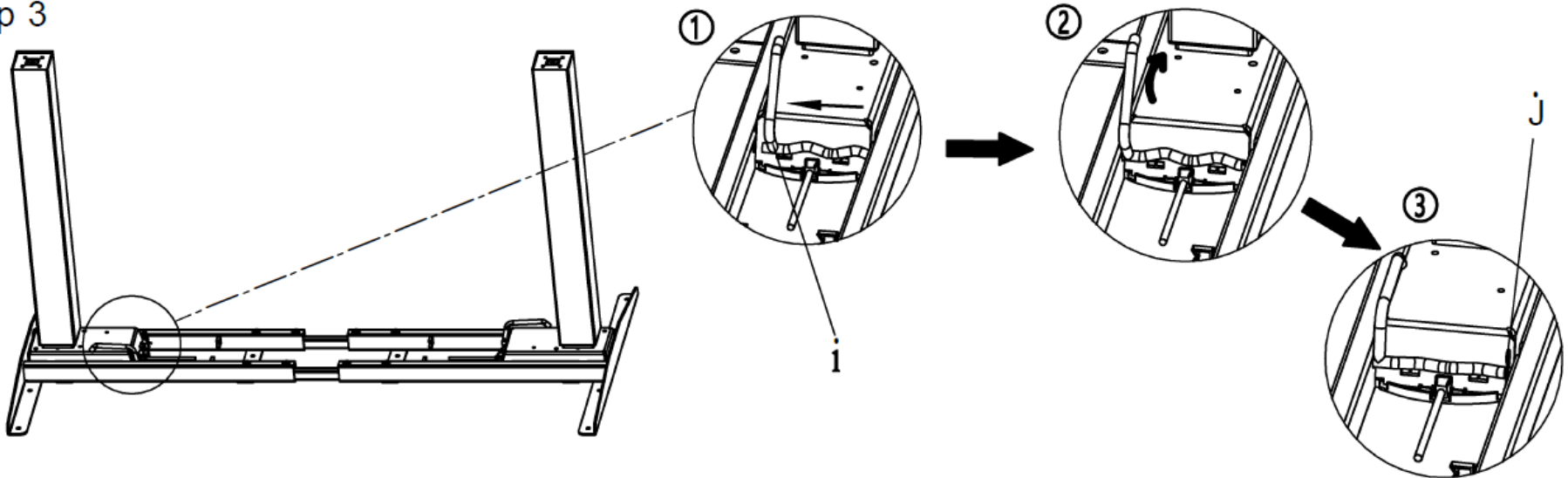
Step 1



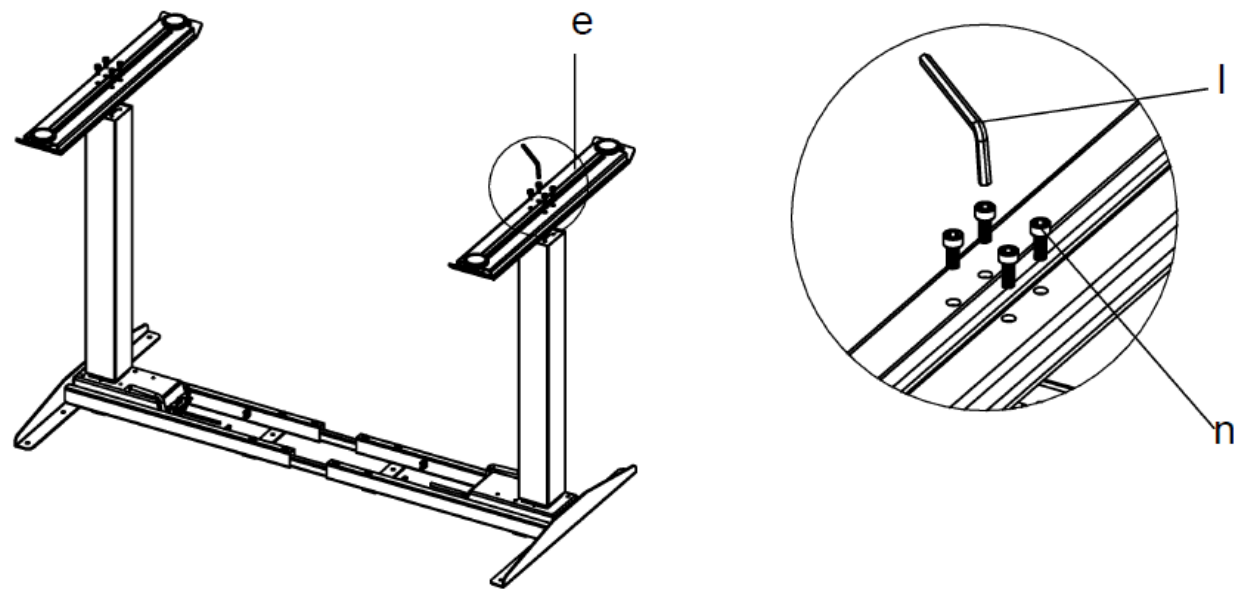
Step 2



Step 3



Step 4



Step 5

