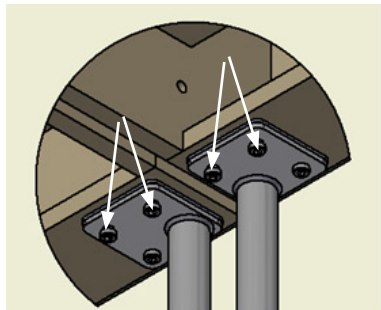
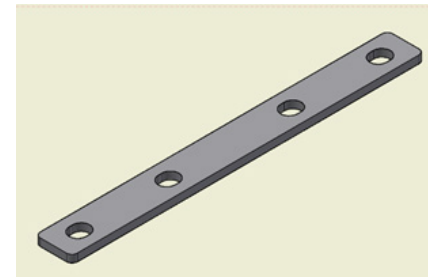


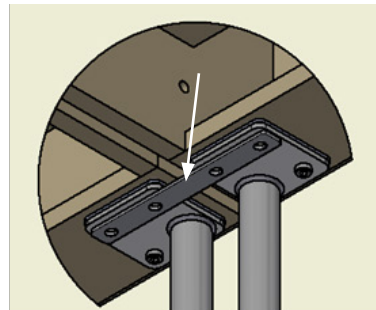
Connection bracket

Use the Connection bracket together with the leg stand's existing fastening screws. Assemble according to instructions below.



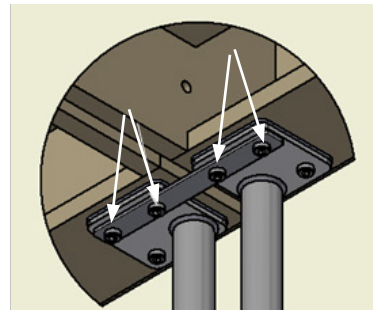
1.

Loosen the 4 innermost screws that attach the leg stand to the sofa frame.



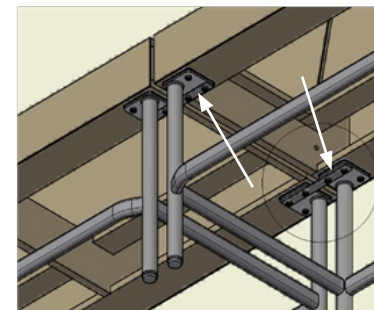
2.

Fix the bracket so that the four holes fit against the holes in the leg stand attachment plate and the seat frame.



3.

Attach the bracket with the existing screws to the sofa frame



4.

Mount one bracket at the back legs and one at the front legs.



The product contains one or more of the following materials: Metal, plastic, wood, fabric, foam.