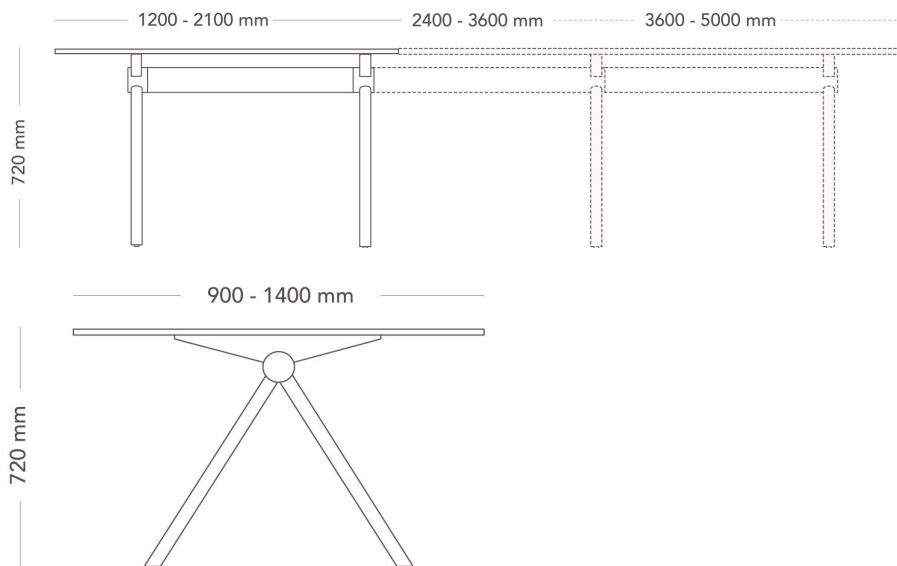


Avia

MEETING TABLE

Avia are tables suitable for conferences and meetings as they offer holes for cable access and are equipped with an integrated table tray hidden inside the legs for a clean appearance. Avia tables have a V-stand giving them a unique and interesting design.



MODEL	Table with built-in cable management
ACCESSORIES	– Power and cable management
CONSTRUCTION	Powder-coated steel tube frame and beams, legs Ø40 mm. The beam has a laser-cut top for cable management. Plastic and metal adjustable feet. Table top with beveled edge has a 22 mm MDF core. Table top with a straight edge has a 22 mm core in wood fiber material. Surface coating thickness is 0.2-2 mm depending on material choice.
DIMENSIONS	Height: 720 mm Length: 1200 - 5000 mm Width: 900 - 1400
WEIGHT	25 - 110 kg
GUARANTEE	5 years