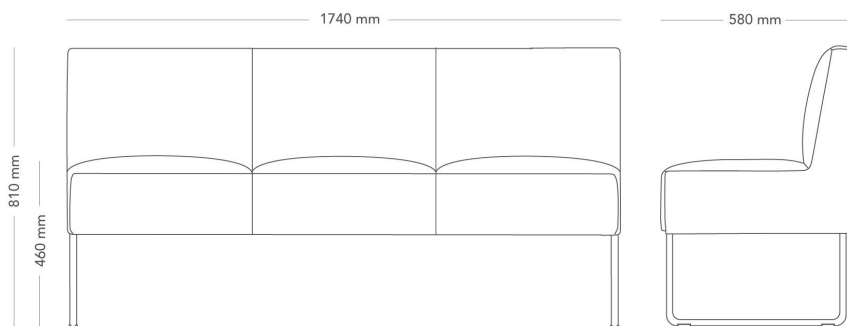


# Mingle

## SOFA 3-SEATER

Mingle is a modular sofa system designed to allow for flexible and comfortable seating solutions on a small surface. With straight or curved modules for seats and tables, as well as fixed combinations, Mingle offers many possibilities for modern and scalable lounge- and seating areas or meeting places.

Mingle sofa is available as two- or three- seater and is easy to vary with two back heights, and with or without armrests / high sides. With the high back, the sofa also serves as secluded seating for the room-in-room and meeting area. A small, flexible table which is fastened under the seat is available as option.



MODEL	Sofa	
VARIANTS	<ul style="list-style-type: none"> <li>– Low back</li> <li>– Divided seat and back</li> <li>– Sledge</li> <li>– Wooden legs</li> </ul>	<ul style="list-style-type: none"> <li>– High back</li> <li>– Armrests</li> <li>– Metal legs</li> </ul>
ACCESSORIES	<ul style="list-style-type: none"> <li>– Connection fitting</li> <li>– Power and cable management</li> </ul>	
DETAILS	<ul style="list-style-type: none"> <li>– Möbelfakta exception: chrome sledge and wooden legs not included in the Möbelfakta certificate. Upholstery in two different colors of fabric or leather.</li> </ul>	
CONSTRUCTION	<p>Wooden seating frame made of board and solid wood. Cold-foam padding, fully upholstered. Sledge frame, made of Ø12 mm steel tube. Ø30 mm straight metal legs, made of powder-coated steel tube. Round, straight solid-wood legs Ø45 mm.</p>	
DIMENSIONS	<p>Height: 810 mm</p> <p>Depth: 580 mm</p> <p>Seat width: 1740 mm</p>	<p>Width: 1740 mm</p> <p>Seat height: 480 mm</p> <p>Sit depth: 450 mm</p>
WEIGHT	32.0 kg	
TESTED	EN 16139, EN 1728	

---

GUARANTEE

5 years

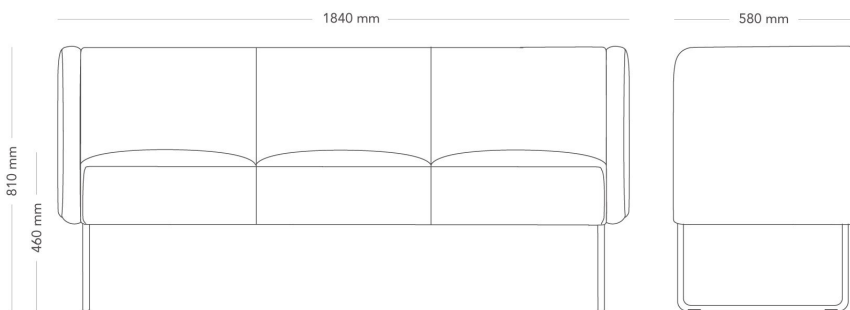
---

# Mingle

SOFA 3-SEATER, LOW BACK, ARMRESTS

Mingle is a modular sofa system designed to allow for flexible and comfortable seating solutions on a small surface. With straight or curved modules for seats and tables, as well as fixed combinations, Mingle offers many possibilities for modern and scalable lounge- and seating areas or meeting places.

Mingle sofa is available as two- or three- seater and is easy to vary with two back heights, and with or without armrests / high sides. With the high back, the sofa also serves as secluded seating for the room-in-room and meeting area. A small, flexible table which is fastened under the seat is available as option.



MODEL	Sofa	
VARIANTS	<ul style="list-style-type: none"> <li>– Low back</li> <li>– Divided seat and back</li> <li>– Sledge</li> <li>– Wooden legs</li> </ul>	<ul style="list-style-type: none"> <li>– High back</li> <li>– Armrests</li> <li>– Metal legs</li> </ul>
ACCESSORIES	<ul style="list-style-type: none"> <li>– Connection fitting</li> <li>– Power and cable management</li> </ul>	
DETAILS	<ul style="list-style-type: none"> <li>– Möbelfakta exception: chrome sledge and wooden legs not included in the Möbelfakta certificate. Upholstery in two different colors of fabric or leather.</li> </ul>	
CONSTRUCTION	<p>Wooden seating frame made of board and solid wood. Cold-foam padding, fully upholstered. Sledge frame, made of Ø12 mm steel tube. Ø30 mm straight metal legs, made of powder-coated steel tube. Round, straight solid-wood legs Ø45 mm.</p>	
DIMENSIONS	<p>Height: 810 mm</p> <p>Depth: 580 mm</p> <p>Seat width: 1700 mm</p>	<p>Width: 1840 mm</p> <p>Seat height: 480 mm</p> <p>Sit depth: 450 mm</p>
WEIGHT	45.0 kg	
TESTED	EN 16139, EN 1728	

---

GUARANTEE

5 years

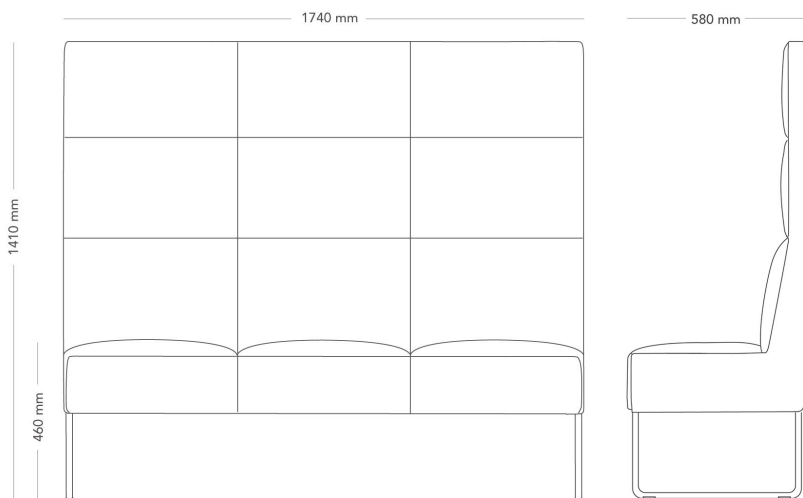
---

# Mingle

## SOFA 3-SEATER, HIGH BACK

Mingle is a modular sofa system designed to allow for flexible and comfortable seating solutions on a small surface. With straight or curved modules for seats and tables, as well as fixed combinations, Mingle offers many possibilities for modern and scalable lounge- and seating areas or meeting places.

Mingle sofa is available as two- or three- seater and is easy to vary with two back heights, and with or without armrests / high sides. With the high back, the sofa also serves as secluded seating for the room-in-room and meeting area. A small, flexible table which is fastened under the seat is available as option.



MODEL	Sofa	
VARIANTS	<ul style="list-style-type: none"> <li>– Low back</li> <li>– Divided seat and back</li> <li>– Sledge</li> <li>– Wooden legs</li> </ul>	<ul style="list-style-type: none"> <li>– High back</li> <li>– Armrests</li> <li>– Metal legs</li> </ul>
ACCESSORIES	<ul style="list-style-type: none"> <li>– Connection fitting</li> <li>– Power and cable management</li> </ul>	
DETAILS	<ul style="list-style-type: none"> <li>– Möbelfakta exception: chrome sledge and wooden legs not included in the Möbelfakta certificate. Upholstery in two different colors of fabric or leather.</li> </ul>	
CONSTRUCTION	<p>Wooden seating frame made of board and solid wood. Cold-foam padding, fully upholstered. Sledge frame, made of Ø12 mm steel tube. Ø30 mm straight metal legs, made of powder-coated steel tube. Round, straight solid-wood legs Ø45 mm.</p>	
DIMENSIONS	<p>Height: 1410 mm</p> <p>Depth: 580 mm</p> <p>Seat width: 1740 mm</p>	<p>Width: 1740 mm</p> <p>Seat height: 480 mm</p> <p>Sit depth: 450 mm</p>
WEIGHT	42.5 kg	
TESTED	EN 16139, EN 1728	

---

GUARANTEE

5 years

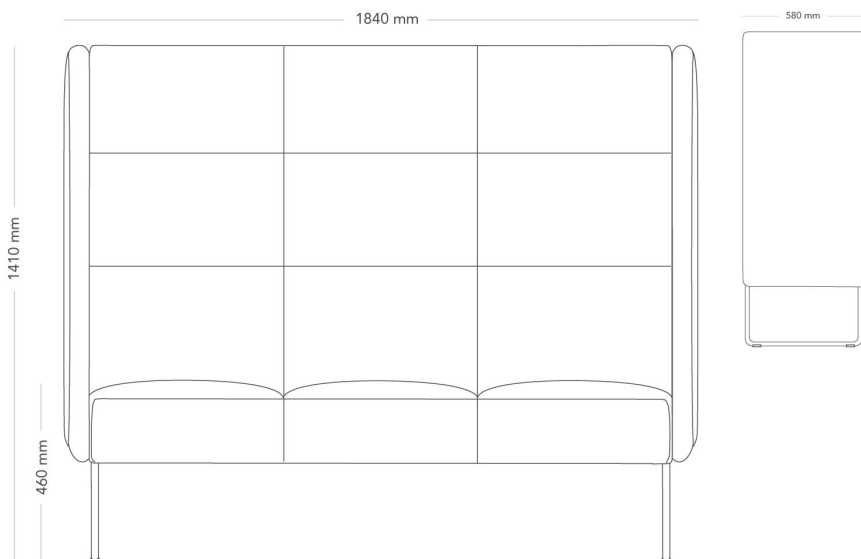
---

# Mingle

SOFA 3-SEATER, HIGH BACK, ARMRESTS

Mingle is a modular sofa system designed to allow for flexible and comfortable seating solutions on a small surface. With straight or curved modules for seats and tables, as well as fixed combinations, Mingle offers many possibilities for modern and scalable lounge- and seating areas or meeting places.

Mingle sofa is available as two- or three- seater and is easy to vary with two back heights, and with or without armrests / high sides. With the high back, the sofa also serves as secluded seating for the room-in-room and meeting area. A small, flexible table which is fastened under the seat is available as option.



MODEL	Sofa	
VARIANTS	<ul style="list-style-type: none"> <li>– Low back</li> <li>– Divided seat and back</li> <li>– Sledge</li> <li>– Wooden legs</li> </ul>	<ul style="list-style-type: none"> <li>– High back</li> <li>– Armrests</li> <li>– Metal legs</li> </ul>
ACCESSORIES	<ul style="list-style-type: none"> <li>– Connection fitting</li> <li>– Power and cable management</li> </ul>	
DETAILS	<ul style="list-style-type: none"> <li>– Möbelfakta exception: chrome sledge and wooden legs not included in the Möbelfakta certificate. Upholstery in two different colors of fabric or leather.</li> </ul>	
CONSTRUCTION	<p>Wooden seating frame made of board and solid wood. Cold-foam padding, fully upholstered. Sledge frame, made of Ø12 mm steel tube. Ø30 mm straight metal legs, made of powder-coated steel tube. Round, straight solid-wood legs Ø45 mm.</p>	
DIMENSIONS	<p>Height: 1410 mm</p> <p>Depth: 580 mm</p> <p>Seat width: 1700 mm</p>	<p>Width: 1840 mm</p> <p>Seat height: 480 mm</p> <p>Sit depth: 450 mm</p>
WEIGHT	46.0 kg	
TESTED	EN 16139, EN 1728	

---

GUARANTEE

5 years

---