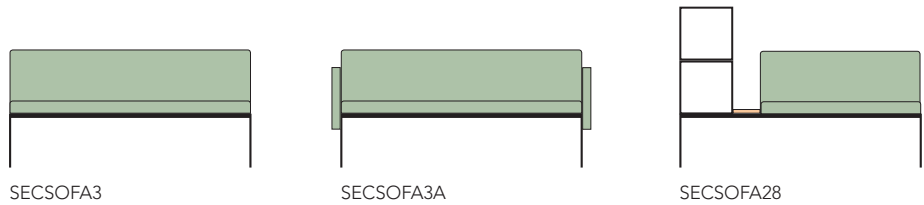
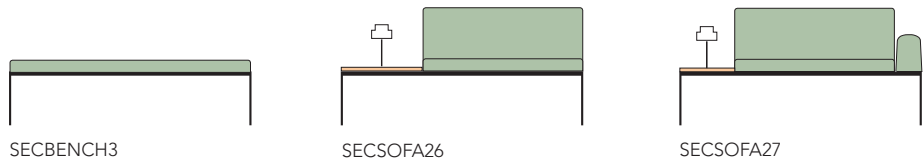
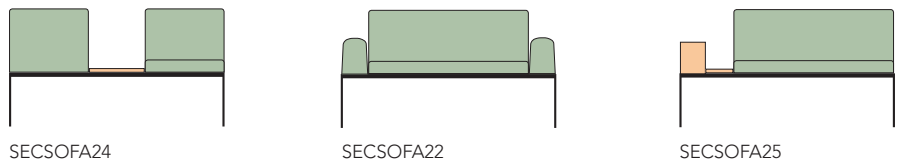
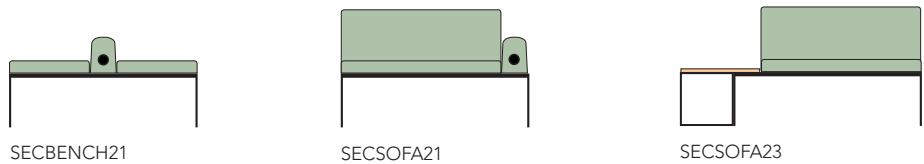
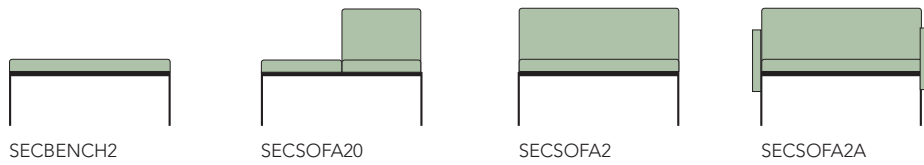
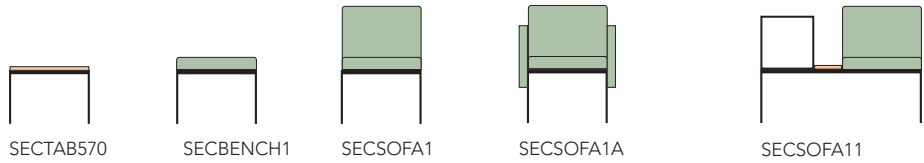




Standard configurations with article numbers

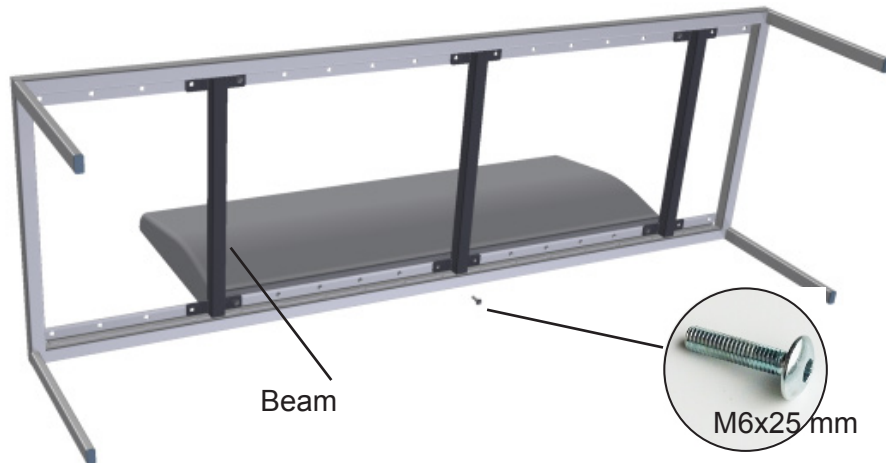


EFG Create Sofa  
Assembly Instruction 039163



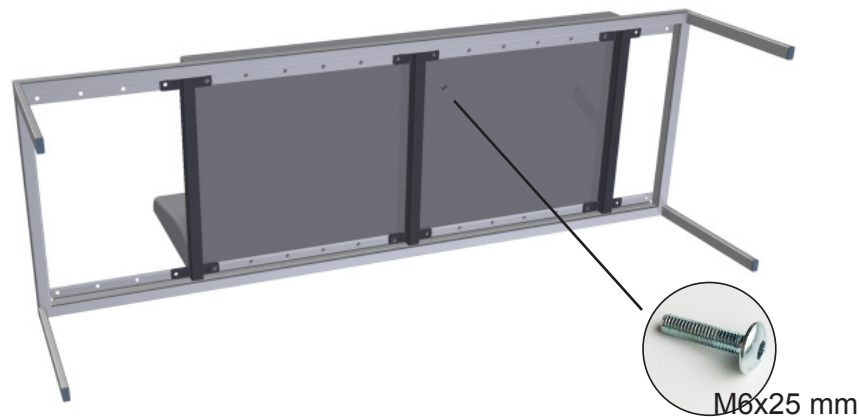
## EFG Create Sofa assembly - step 1

If you have a sofa with thin armrests, also read step 5. Otherwise start with putting the metal frame on the side and start assemble the back of the sofa. Each joint in sofa combinations need a beam as well as every seat unit. Also include the beam(s) when starting the assembly of the back. Use the M6x25 mm screws. **NOTE!** Don't tighten the screws until you have positioned all of the parts on to the frame!



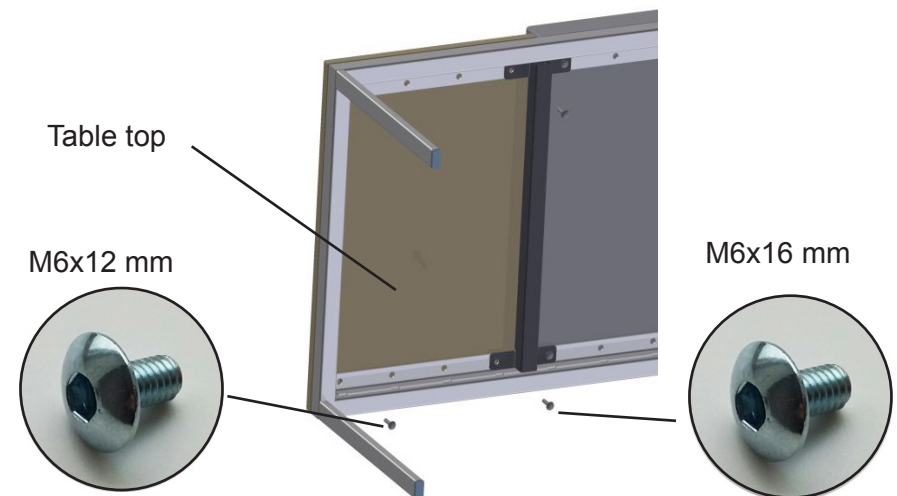
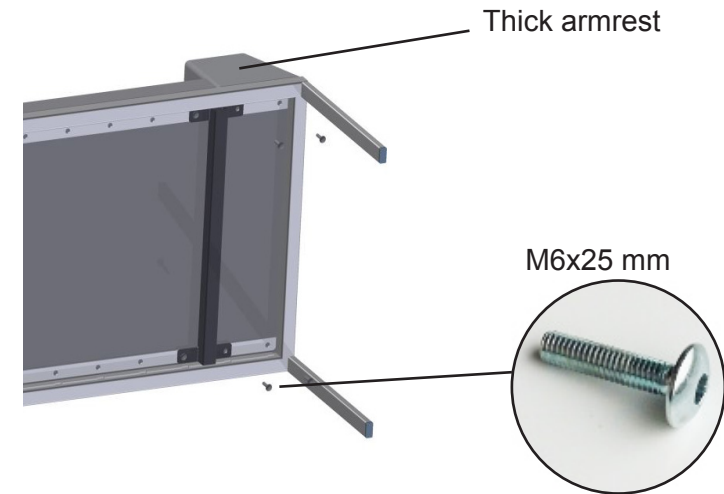
## EFG Create Sofa assembly - step 2

Continue with the seat. Push the seat in under the back and position with the screws in the front. Also include the beam(s). Use the M6x25 mm screws.



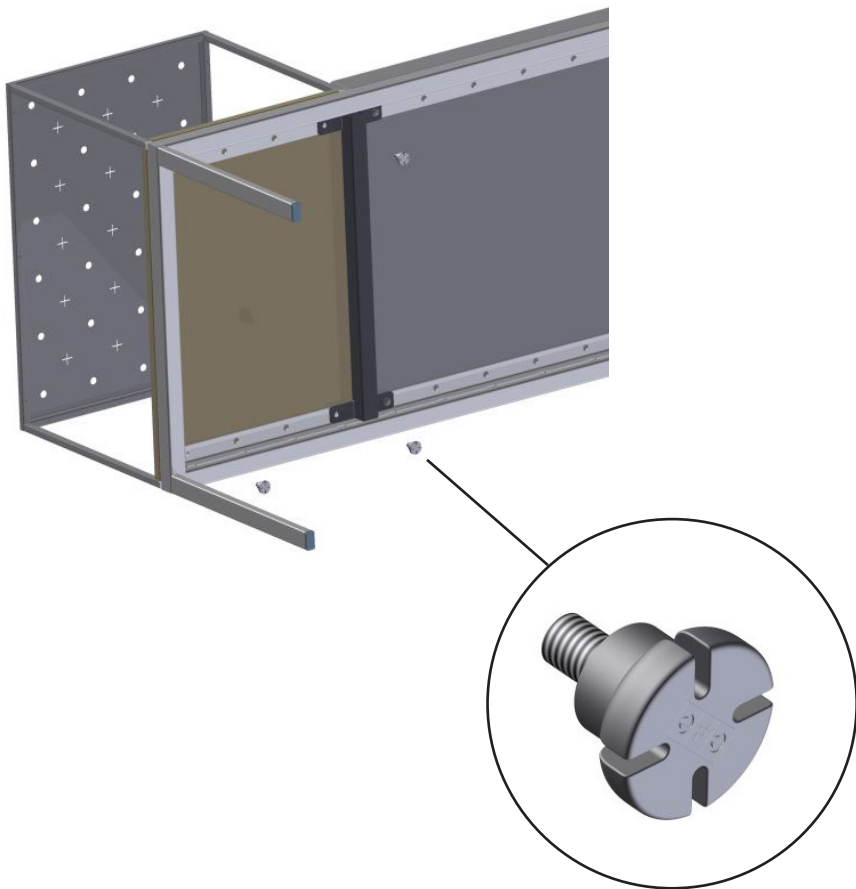
## EFG Create Sofa assembly - step 3

Continue with thick armrests and table tops (if you don't have these items, move on to the next step). Position table top(s) and/or thick armrest(s). Use M6x25 mm screws for armrest and include beam(s). Use M6x12 for the screws without crossbar and M6x16 mm for the screws with beam(s) for the table top(s).



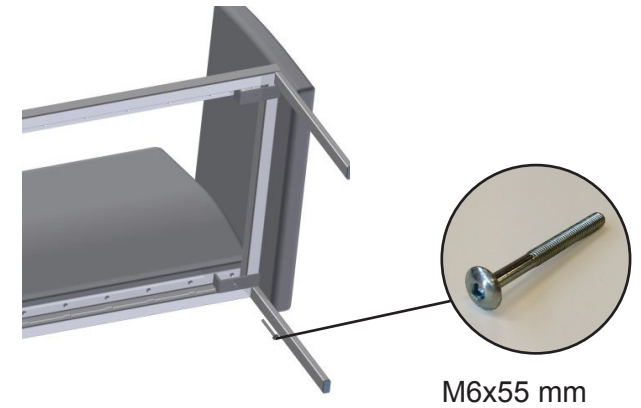
#### EFG Create Sofa assembly - step 4 Create storage unit(s)

If you have a combination with Create storage unit(s), assemble them to the frame with the adjustable feet/connectors that comes with the storage unit(s).



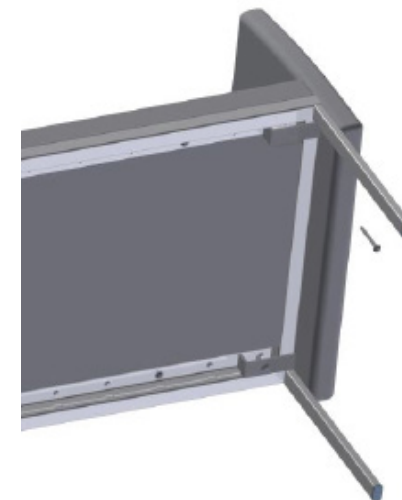
#### EFG Create Sofa assembly - step 5 Thin armrests sofa

Thin armrests are assembled together with the back and the seat, using the M6x55 mm screws. Tilt the frame and position the back and the armrests, fasten the screws in the back but don't tighten them until all the parts are in place.



#### EFG Create Sofa assembly - step 6 Thin armrests sofa

Continue with positioning of the seat, push it in under the back and fasten the screws in the front together with the armrest.



## EFG Create Sofa assembly - step 7

Tighten all the screws!

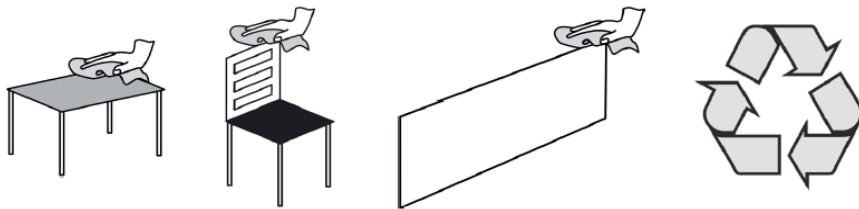
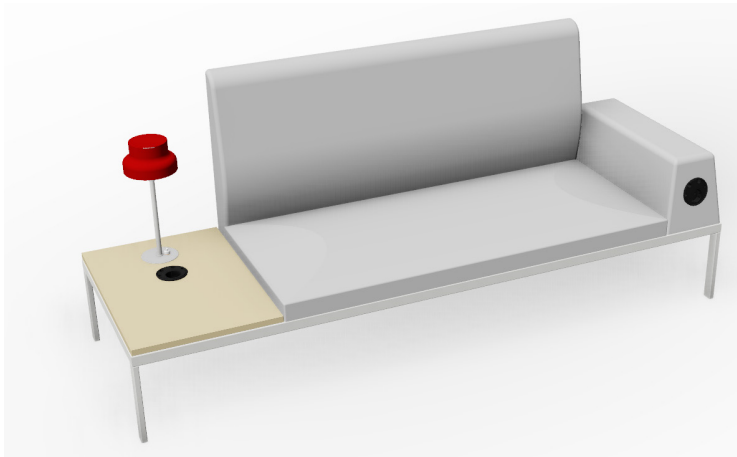
## EFG Create Sofa assembly - step 8

Assemble accessories if that's included in your combination.

Power grommet(s) in table top and/or thick armrest.

Lamp in table top.

Please see accessories separate assembly instructions.



The product contains one or more of following materials:  
Metal, plastic, wood, fabric, foam.

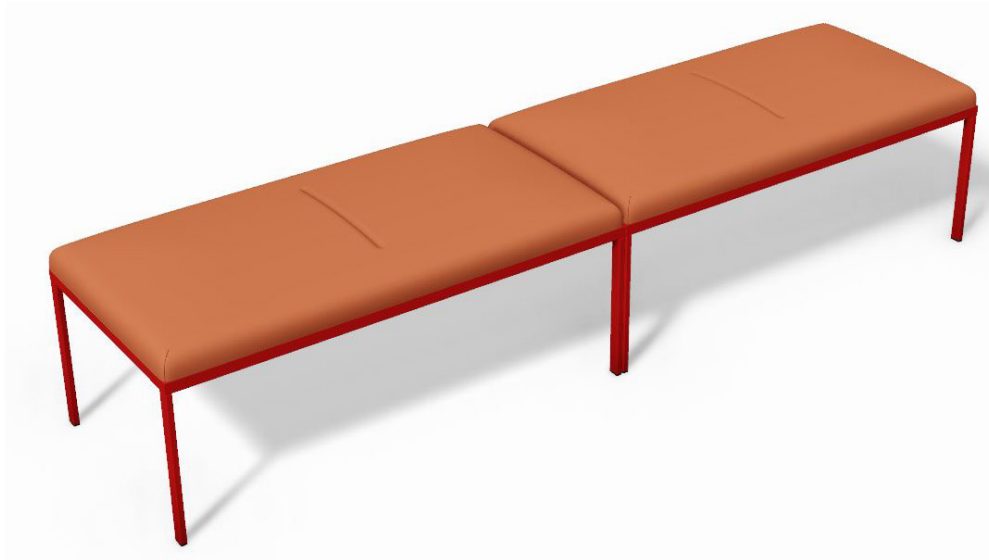
For more information,  
please visit [www.efg.info](http://www.efg.info)

039163 Produced by: EFG Marketing Support  
Senast ändrad: 20161115

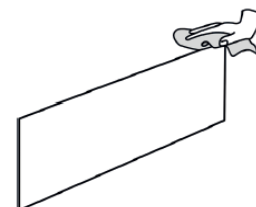
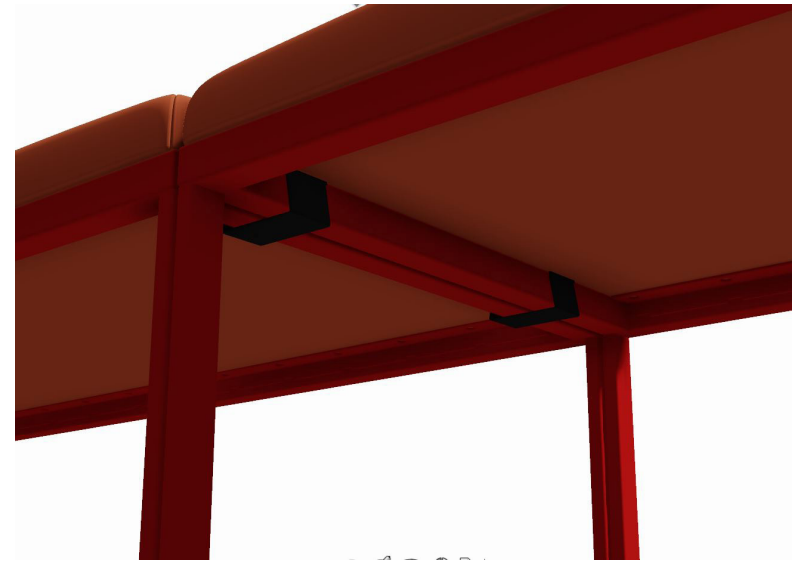
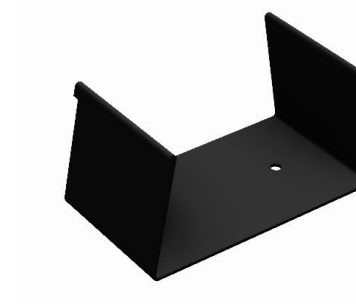
# EFG Create sofa connector

Assembly Instruction 039086

For more information,  
please visit [www.efg.info](http://www.efg.info)



The EFG Create sofa connectors is an easy way to link two or more sofas together without using any tool. Use two connectors to each connection. Just click the connector around the sofa frames underneath.



The product contains one or more of following materials:  
Wood, metal, foam, textile, plastic.