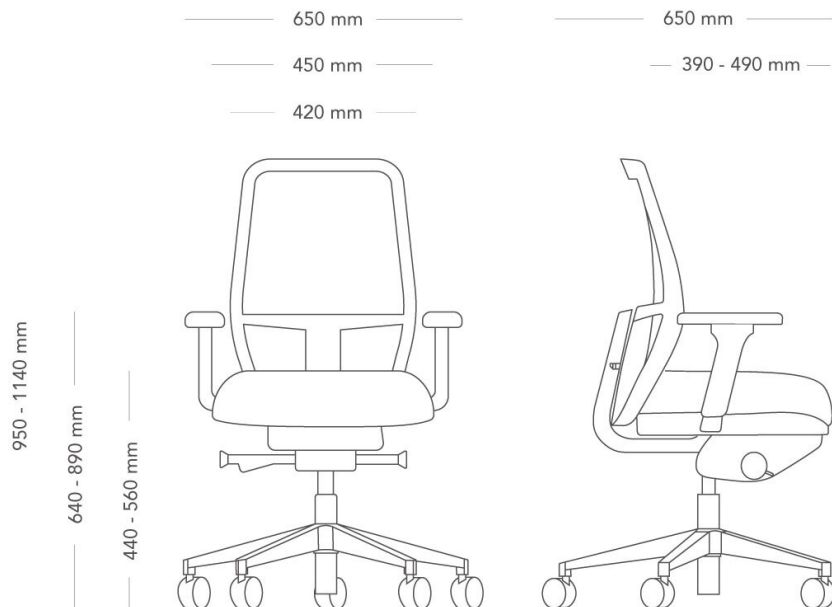


# Savo Soul

## OFFICE CHAIR WITH MESH BACK

Soul is an ergonomic office chair with wheels, which is available in black and white. The chair follows the body's movements and has logically placed levers and controls. Soul's intuitive design means that it adapts to the user, which makes it an office chair that suits all people and workplaces, and meets many different needs. This is a premium chair that is simple, logical and comfortable no matter where it is used, or who uses it. Selected variants of Soul are available for Express delivery from our factory within 5 working days.



MODEL	Soul workchair	
VARIANTS	<ul style="list-style-type: none"> <li>– Back 40</li> <li>– Back 60</li> <li>– Seat Small</li> <li>– Seat Soft</li> </ul>	<ul style="list-style-type: none"> <li>– Back 50</li> <li>– Mesh back</li> <li>– Seat Medium</li> </ul>
ACCESSORIES	<ul style="list-style-type: none"> <li>– Neckrest</li> <li>– Armrests</li> <li>– Options for castors</li> </ul>	
CONSTRUCTION	<p>Mesh back with frame and J-bar made of recycled plastic. Upholstered back with frame made of recycled plastic and cold foam, covered with fabric. Seat frame made of plywood with cold foam padding. Mechanism in recycled aluminium. Height-adjustable steel pillar. 5-star swivel base made of cast recycled aluminum, or recycled plastic, with castors diameter 60 mm. Armrests (optional) made of injection-molded recycled plastic and die-cast recycled aluminum. Headrest (optional) with recycled plastic frame with cold foam padding.</p>	
DIMENSIONS	<p>Height: 950-1140 mm</p> <p>Depth: 650 mm</p> <p>Sit depth: 390-490 mm</p>	<p>Width: 650 mm</p> <p>Seat height (with load): 440-560 mm</p> <p>Base diameter: 710 mm</p>
WEIGHT	14 kg	

---

TESTED EN1335- 1, -2:2018, EN1728

---

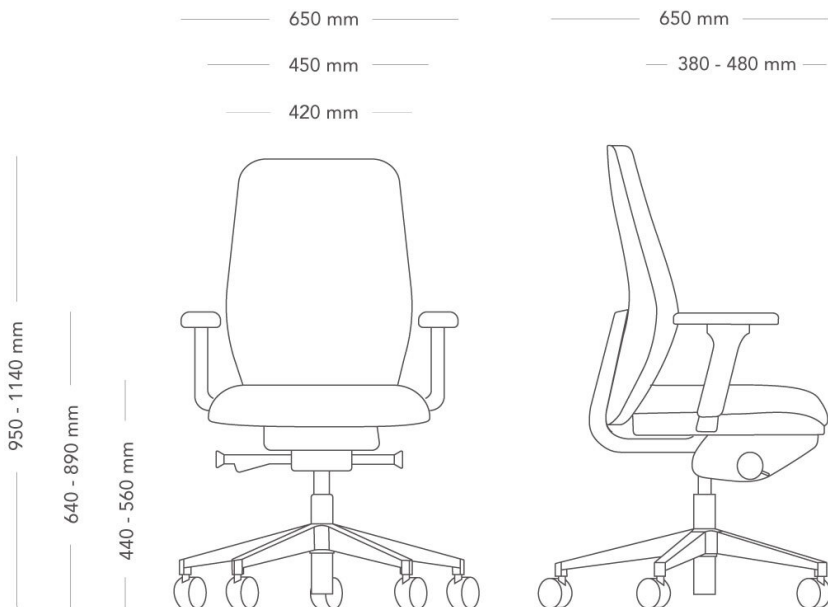
GUARANTEE 10 years

---

# Savo Soul

## OFFICE CHAIR WITH UPHOLSTERED BACK

Soul is an ergonomic office chair with wheels, which is available in black and white. The chair follows the body's movements and has logically placed levers and controls. Soul's intuitive design means that it adapts to the user, which makes it an office chair that suits all people and workplaces, and meets many different needs. This is a premium chair that is simple, logical and comfortable no matter where it is used, or who uses it. Selected variants of Soul are available for Express delivery from our factory within 5 working days.



MODEL	Soul workchair	
VARIANTS	<ul style="list-style-type: none"> <li>– Back 40</li> <li>– Back 60</li> <li>– Seat Small</li> <li>– Seat Soft</li> </ul>	<ul style="list-style-type: none"> <li>– Back 50</li> <li>– Mesh back</li> <li>– Seat Medium</li> </ul>
ACCESSORIES	<ul style="list-style-type: none"> <li>– Neckrest</li> <li>– Armrests</li> <li>– Options for castors</li> </ul>	
CONSTRUCTION	<p>Mesh back with frame and J-bar made of recycled plastic. Upholstered back with frame made of recycled plastic and cold foam, covered with fabric. Seat frame made of plywood with cold foam padding. Mechanism in recycled aluminium. Height-adjustable steel pillar. 5-star swivel base made of cast recycled aluminum, or recycled plastic, with castors diameter 60 mm. Armrests (optional) made of injection-molded recycled plastic and die-cast recycled aluminum. Headrest (optional) with recycled plastic frame with cold foam padding.</p>	
DIMENSIONS	<p>Height: 950-1140 mm</p> <p>Depth: 650 mm</p> <p>Base diameter: 710 mm</p>	<p>Width: 650 mm</p> <p>Seat height (with load): 440-560 mm</p>
WEIGHT	15 kg	

---

TESTED	EN1335- 1, -2:2018, EN1728
GUARANTEE	10 years

---