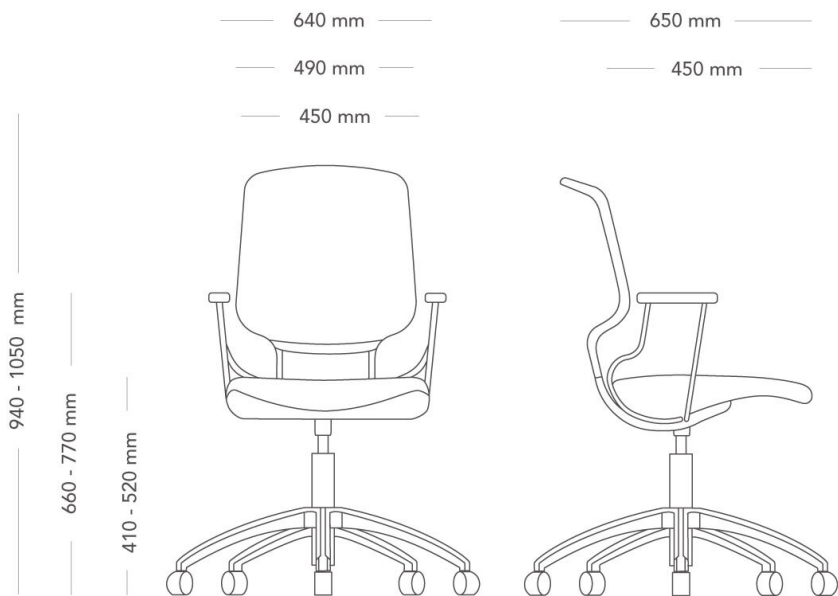


Savo Invite

MEETING CHAIR

Invite is a mix between an office chair and a meeting chair. The unique tilting function of Invite provides comfortable lumbar support. This is a multifaceted chair that can be used both as a meeting chair and as a work chair. Regardless of the variant, you get a comfortable office chair that exudes premium and style.



MODEL	Invite meeting chair	
ACCESSORIES	<ul style="list-style-type: none"> – Armrests – Castors 	
CONSTRUCTION	Back frame of steel tube diameter 16 mm, covered with mesh or fabric. Seat frame made of plywood with cold foam padding. Cast recycled aluminum mechanism. Height-adjustable steel gas column. 5-star swivel base made of recycled aluminum with castors, alternatively black plastic gliders.	
DIMENSIONS	Height: 940-1050 mm Depth: 650 mm Sit depth: 450 mm Base diameter: 630 mm	Width: 640 mm Seat height (with load): 410-520 mm Total height armrest: 660-770 mm
WEIGHT	8.9 kg	
TESTED	EN 16139, EN 1728, EN 1022	
GUARANTEE	10 years	