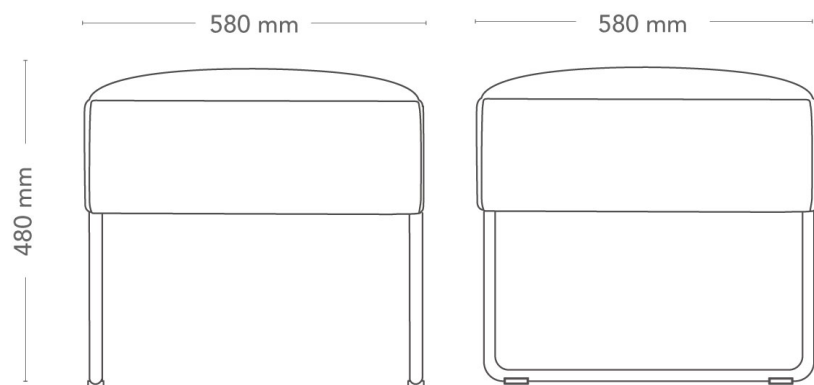


# Mingle

BENCH, 1- SEATER

Mingle is a modular sofa system designed to allow for flexible and comfortable seating solutions on a small surface. With straight or curved modules for seats and tables, as well as fixed combinations, Mingle offers many possibilities for modern and scalable lounge- and seating areas or meeting places.

Mingle bench is available with one, two or three seats and can be a free-standing piece or can be included as part of a Mingle combination. A flexible table is available as option for two- and three-seater,



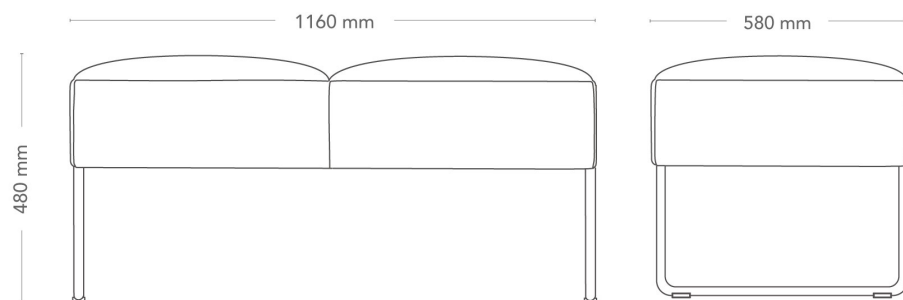
MODEL	Bench
VARIANTS	<ul style="list-style-type: none"> <li>– Sledge</li> <li>– Wooden legs</li> <li>– Metal legs</li> </ul>
ACCESSORIES	– Power and cable management
DETAILS	– Exception from Möbelfakta: Sledge in chrome is not included in the Möbelfakta certificate. Upholstery in one or two different colors of fabric or leather.
CONSTRUCTION	Wooden frame made of board and solid wood. Upholstered cold-foam padding. Sledge leg base, made of Ø12 mm steel tube. Ø30 mm straight metal legs, made of powder-coated steel tube. Solid wooden legs Ø45 mm.
DIMENSIONS	Seat height: 480 mm Width: 580 mm Depth: 580 mm
WEIGHT	11.0 kg
TESTED	EN 16139, EN 1728
GUARANTEE	5 years

# Mingle

## BENCH 2-SEATER

Mingle is a modular sofa system designed to allow for flexible and comfortable seating solutions on a small surface. With straight or curved modules for seats and tables, as well as fixed combinations, Mingle offers many possibilities for modern and scalable lounge- and seating areas or meeting places.

Mingle bench is available with one, two or three seats and can be a free-standing piece or can be included as part of a Mingle combination. A flexible table is available as option for two- and three-seater,



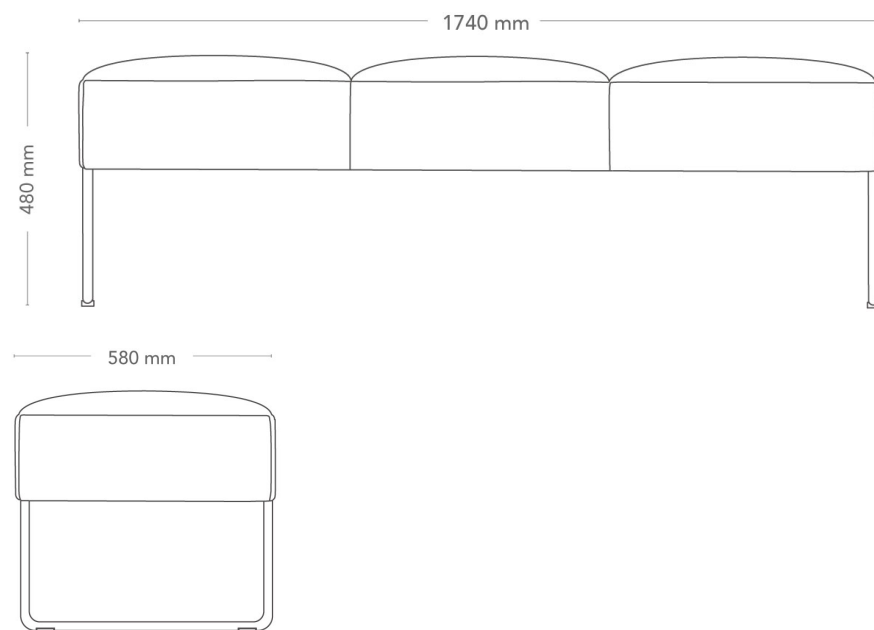
MODEL	Bench
VARIANTS	<ul style="list-style-type: none"> <li>– Sledge</li> <li>– Wooden legs</li> <li>– Metal legs</li> </ul>
ACCESSORIES	– Power and cable management
DETAILS	– Exception from Möbelfakta: Sledge in chrome is not included in the Möbelfakta certificate. Upholstery in one or two different colors of fabric or leather.
CONSTRUCTION	Wooden frame made of board and solid wood. Upholstered cold-foam padding. Sledge leg base, made of Ø12 mm steel tube. Ø30 mm straight metal legs, made of powder-coated steel tube. Solid wooden legs Ø45 mm.
DIMENSIONS	Seat height: 480 mm Width: 1160 mm Depth: 580 mm
WEIGHT	18.0 kg
TESTED	EN 16139, EN 1728
GUARANTEE	5 years

# Mingle

## BENCH 3-SEATER

Mingle is a modular sofa system designed to allow for flexible and comfortable seating solutions on a small surface. With straight or curved modules for seats and tables, as well as fixed combinations, Mingle offers many possibilities for modern and scalable lounge- and seating areas or meeting places.

Mingle bench is available with one, two or three seats and can be a free-standing piece or can be included as part of a Mingle combination. A flexible table is available as option for two- and three-seater,



MODEL	Bench
VARIANTS	<ul style="list-style-type: none"> <li>– Sledge</li> <li>– Wooden legs</li> <li>– Metal legs</li> </ul>
ACCESSORIES	– Power and cable management
DETAILS	– Exception from Möbelfakta: Sledge in chrome is not included in the Möbelfakta certificate. Upholstery in one or two different colors of fabric or leather.
CONSTRUCTION	Wooden frame made of board and solid wood. Upholstered cold-foam padding. Sledge leg base, made of Ø12 mm steel tube. Ø30 mm straight metal legs, made of powder-coated steel tube. Solid wooden legs Ø45 mm.
DIMENSIONS	Seat height: 480 mm Width: 1740 mm Depth: 580 mm
WEIGHT	27.0 kg
TESTED	EN 16139, EN 1728
GUARANTEE	5 years