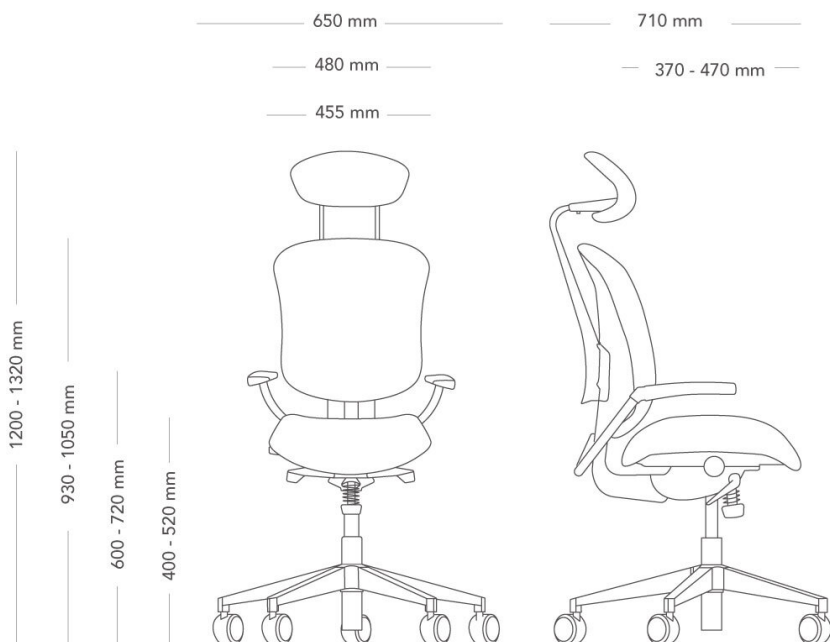


# Savo Maxikon

Maxikon is not only an unusually stylish ergonomic office chair, it is also a chair where all settings are logically placed and can be easily adjusted while sitting. In Maxikon, you can work a full working day and be sure that you always sit correctly and that the body receives the support needed in all sitting positions. Like our other office chairs, Maxikon is a chair that is excellent for both individual seating and activity-based offices.



MODEL	Maxikon workchair
ACCESSORIES	<ul style="list-style-type: none"> <li>– Alternative castors and gliders</li> <li>– Armrests</li> <li>– Neckrest</li> </ul>
DETAILS	<ul style="list-style-type: none"> <li>– 24/7 approved chair (without armrests).</li> <li>– Savo Floating Vipp® where the seat and back move independently of each other. The back follows the back of the sitter and provides lumbar support in the lower back. The solution is patented. Stepless regulation of seat depth, back height, seat height and tilt mechanism. Lockable backrest.</li> </ul>
DIMENSIONS	<p>Seat height (with load): 390-510 mm</p> <p>Sit depth: 370-470 mm</p> <p>Base diameter: 660 mm</p>
WEIGHT	17.0 kg
GUARANTEE	10 years