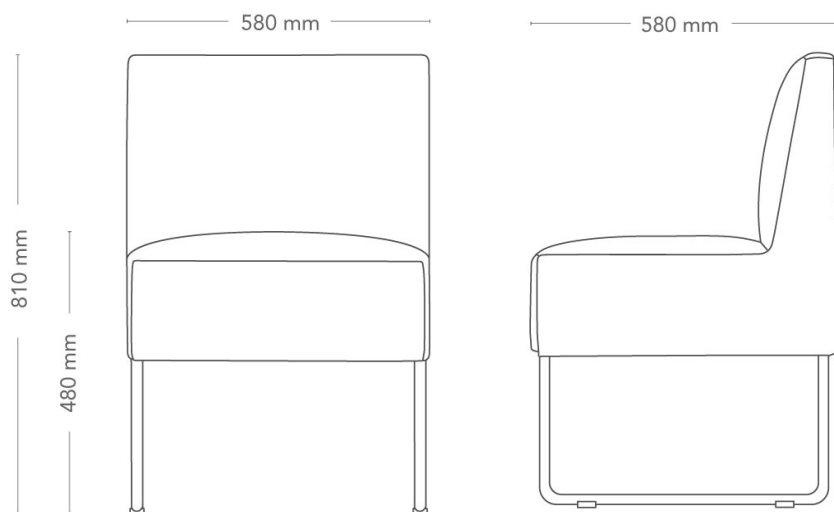


# Mingle

## ARMCHAIR

Mingle is a modular sofa system designed to allow for flexible and comfortable eating solutions on a small surface. With straight or curved modules for seats and tables, as well as fixed combinations, Mingle offers many possibilities for modern and scalable lounge- and seating areas or meeting places.

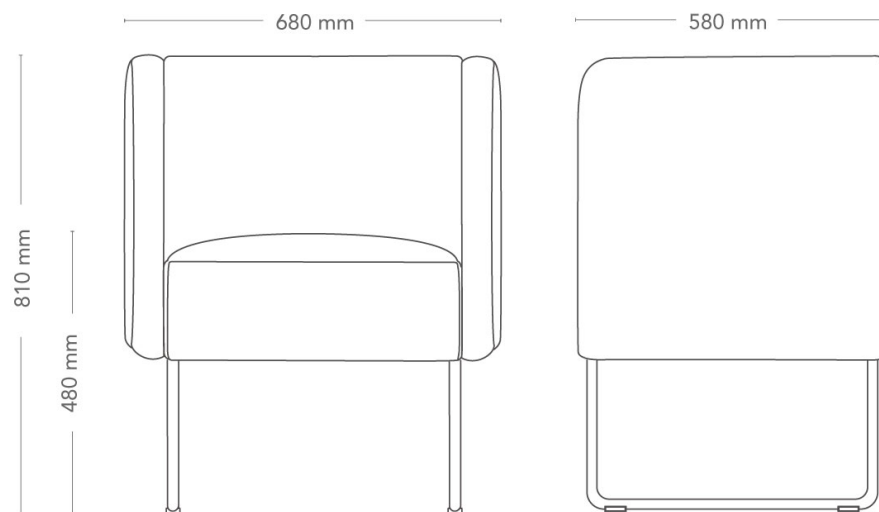


MODEL	Armchair	
VARIANTS	<ul style="list-style-type: none"> <li>– Low back</li> <li>– Divided seat and back</li> <li>– Sledge</li> <li>– Wooden legs</li> </ul>	<ul style="list-style-type: none"> <li>– High back</li> <li>– Armrests</li> <li>– Metal legs</li> </ul>
ACCESSORIES	– Power and cable management	
DETAILS	– Upholstered in one or two colours of fabric. Wooden legs in oak and beech are not included in the Möbelfakta certification.	
CONSTRUCTION	Wooden seating frame made of board and solid wood. Cold-foam padding, fully upholstered. Sledge frame, made of Ø12 mm steel tube. Ø30 mm straight metal legs, made of powder-coated steel tube. Round, straight solid-wood legs Ø45 mm.	
DIMENSIONS	Height: 810 mm Depth: 580 mm Sit depth: 450 mm	Width: 580 mm Seat height: 480 mm
WEIGHT	14.0 kg	
TESTED	EN 16139, EN 1728	
GUARANTEE	5 years	

# Mingle

## ARMCHAIR, LOW BACK AND ARMRESTS

Mingle is a modular sofa system designed to allow for flexible and comfortable seating solutions on a small surface. With straight or curved modules for seats and tables, as well as fixed combinations, Mingle offers many possibilities for modern and scalable lounge- and seating areas or meeting places.



MODEL	Armchair	
VARIANTS	<ul style="list-style-type: none"> <li>– Low back</li> <li>– Divided seat and back</li> <li>– Sledge</li> <li>– Wooden legs</li> </ul>	<ul style="list-style-type: none"> <li>– High back</li> <li>– Without armrests</li> <li>– Metal legs</li> </ul>
ACCESSORIES	– Power and cable management	
DETAILS	– Upholstered in one or two colours of fabric. Wooden legs in oak and beech are not included in the Möbelfakta certification.	
CONSTRUCTION	Wooden seating frame made of board and solid wood. Cold-foam padding, fully upholstered. Sledge frame, made of Ø12 mm steel tube. Ø30 mm straight metal legs, made of powder-coated steel tube. Round, straight solid-wood legs Ø45 mm.	
DIMENSIONS	Height: 810 mm Depth: 580 mm Sit depth: 450 mm	Width: 680 mm Seat height: 480 mm Total height armrest: 810 mm
WEIGHT	27.0 kg	
TESTED	EN 16139, EN 1728	
GUARANTEE	5 years	

# Mingle

ARMCHAIR, HIGH BACK

Mingle is a modular sofa system designed to allow for flexible and comfortable seating solutions on a small surface. With straight or curved modules for seats and tables, as well as fixed combinations, Mingle offers many possibilities for modern and scalable lounge- and seating areas or meeting places.

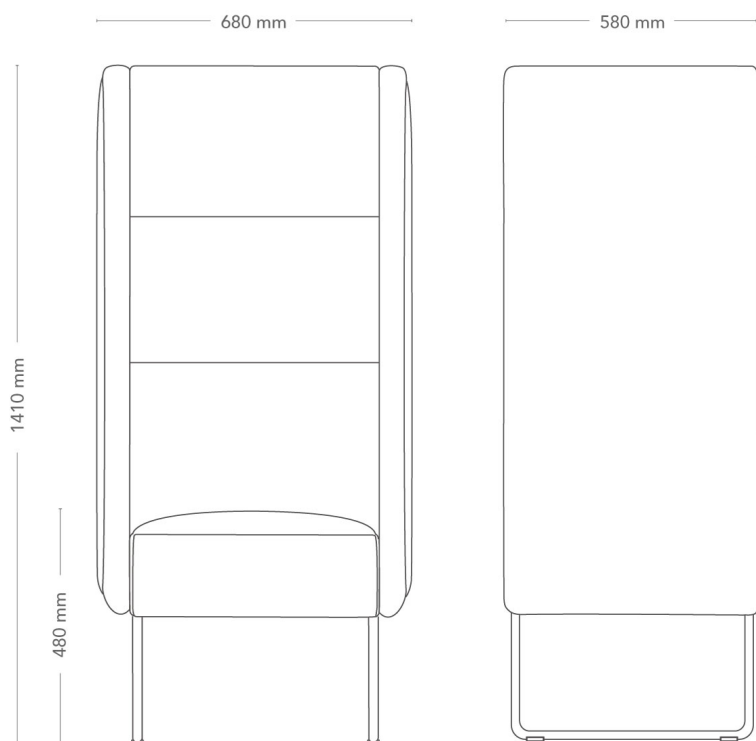


MODEL	Armchair	
VARIANTS	<ul style="list-style-type: none"> <li>– Low back</li> <li>– Divided seat and back</li> <li>– Sledge</li> <li>– Wooden legs</li> </ul>	<ul style="list-style-type: none"> <li>– High back</li> <li>– Armrests</li> <li>– Metal legs</li> </ul>
ACCESSORIES	– Power and cable management	
DETAILS	– Upholstered in one or two colours of fabric. Wooden legs in oak and beech are not included in the Möbelfakta certification.	
CONSTRUCTION	Wooden seating frame made of board and solid wood. Cold-foam padding, fully upholstered. Sledge frame, made of Ø12 mm steel tube. Ø30 mm straight metal legs, made of powder-coated steel tube. Round, straight solid-wood legs Ø45 mm.	
DIMENSIONS	Height: 1410 mm Depth: 580 mm Sit depth: 450 mm	Width: 580 mm Seat height: 480 mm
WEIGHT	17 kg	
TESTED	EN 16139, EN 1728	
GUARANTEE	5 years	

# Mingle

ARMCHAIR, HIGH BACK AND ARMRESTS

Mingle is a modular sofa system designed to allow for flexible and comfortable seating solutions on a small surface. With straight or curved modules for seats and tables, as well as fixed combinations, Mingle offers many possibilities for modern and scalable lounge- and seating areas or meeting places.



MODEL	Armchair	
VARIANTS	<ul style="list-style-type: none"> <li>– Low back</li> <li>– Divided seat and back</li> <li>– Sledge</li> <li>– Wooden legs</li> </ul>	<ul style="list-style-type: none"> <li>– High back</li> <li>– Without armrests</li> <li>– Metal legs</li> </ul>
ACCESSORIES	– Power and cable management	
DETAILS	– Upholstered in one or two colours of fabric. Wooden legs in oak and beech are not included in the Möbelfakta certification.	
CONSTRUCTION	Wooden seating frame made of board and solid wood. Cold-foam padding, fully upholstered. Sledge frame, made of Ø12 mm steel tube. Ø30 mm straight metal legs, made of powder-coated steel tube. Round, straight solid-wood legs Ø45 mm.	
DIMENSIONS	Height: 1410 mm Depth: 580 mm Sit depth: 450 mm	Width: 680 mm Seat height: 480 mm
WEIGHT	36.0 kg	
TESTED	EN 16139, EN 1728	
GUARANTEE	5 years	