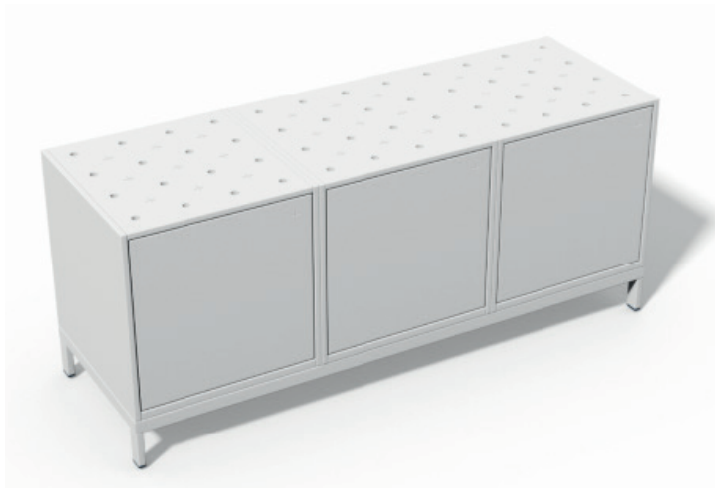
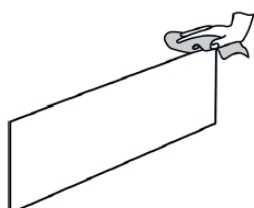
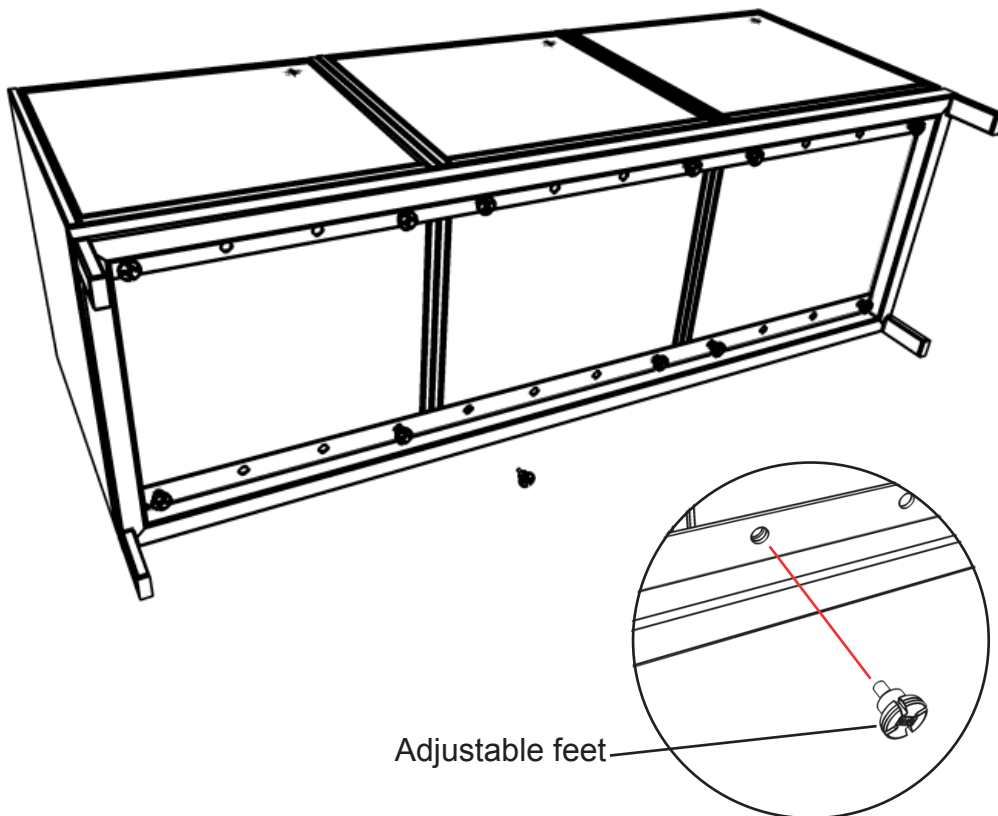


For more information,
please visit www.efg.info



Put the frame on the side and position the Create modules. Use the adjustable feet that comes with the modules and fasten the modules onto the frame.
NOTE! Don't tighten the feet until all the modules are in place.



The product contains one or more of following materials:
Wood, metal, plastic.