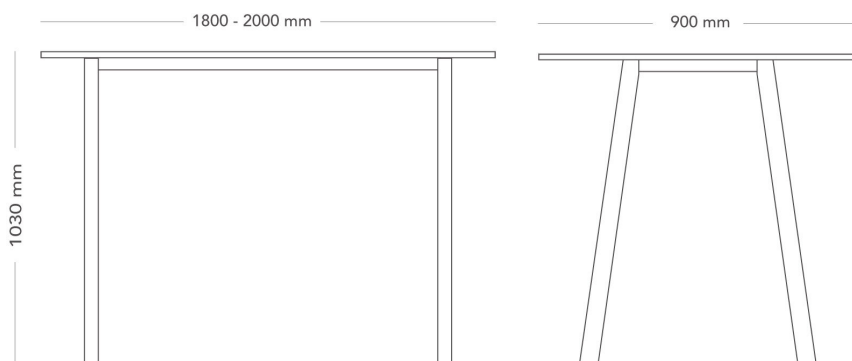


# Collaborate

## TABLE WITH METAL LEGS, HIGH

EFG Collaborate is an exclusive meeting and project table for collaboration, communication and knowledge sharing. It supports the dynamics of project work that in turn enhance productivity and motivation and is the perfect base camp for the project team for increased participation. The robust wooden design with legs mirrors warmth and contributes to a warm and inviting atmosphere.



MODEL	Table with metal legs, high
VARIANTS	<ul style="list-style-type: none"> <li>– Plain table top</li> <li>– Cable cover</li> </ul>
ACCESSORIES	<ul style="list-style-type: none"> <li>– Power and cable management</li> <li>– Alternative colours and materials</li> </ul>
DETAILS	<ul style="list-style-type: none"> <li>– <span style="color:rgb(0, 0, 0)">&lt;span class="colour" style="color:rgb(0, 0, 0)"&gt;Table tops are available with straight or beveled edges. Tops in width <math>\geq 1400</math> mm have transverse veneer direction. The tops are available with cutouts for electrical accessories, or with cable hatch with lid.&lt;/span&gt;</span></li> </ul>
CONSTRUCTION	<p><span style="color:rgb(0, 0, 0)">&lt;span class="colour" style="color:rgb(0, 0, 0)"&gt;Metal frame and metal legs (60x30 mm). Table top with beveled edge has a 22 mm MDF core. Table top with straight edge has a 22 mm core in wood- fiber material. Surface coating thickness is 0.2-2 mm depending on material choice. The tables are available with plain top, or with a recessed cable trough with lid and steel hinges. The design of the lid follows the table top material. The cable trough includes 2 pcs. <math>\varnothing 60</math> mm holes for power sockets, Electrical accessories are ordered separately.&lt;/span&gt;</span></p>
DIMENSIONS	<p>Height: 1030 mm</p> <p>Length: 1800 - 2000 mm</p> <p>Width: 900 mm</p>
WEIGHT	48 - 55 kg

---

TESTED

EN 15372:2016 nivå 3, EN 1730:2012.

---

GUARANTEE

5 years

---