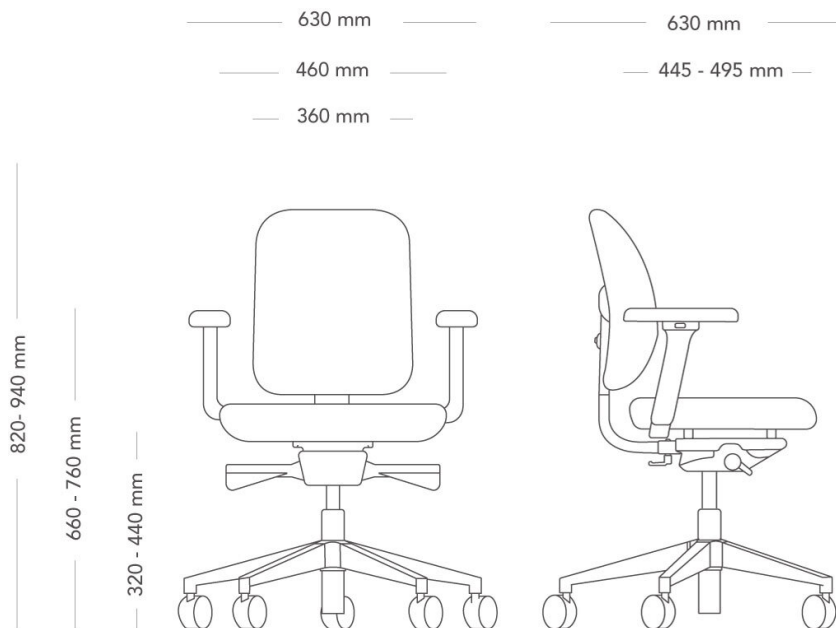


Savo Eos

OFFICE CHAIR

Eos's simple and neat shape is an example of how a good office chair does not have to be sturdy and space-consuming. Eos is an uncomplicated but functional chair that is comfortable to sit in all day. Eo's discreet appearance means that the chair harmonizes with most work environments.

Back height 40



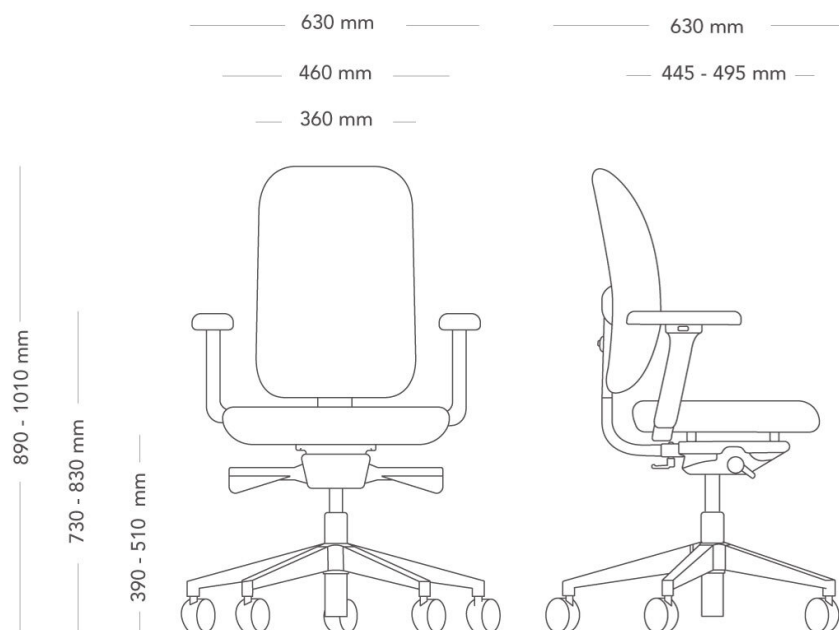
MODEL	Eos workchair	
VARIANTS	<ul style="list-style-type: none"> – Back 40 – Back 50 	
ACCESSORIES	<ul style="list-style-type: none"> – Alternative castors and gliders – Armrests 	
CONSTRUCTION	Upholstered back with plywood frame and aluminum profile (70% recycled material), cold foam padding. Seat frame made of plywood with cold foam padding. Mechanism cast in recycled aluminium. Height-adjustable steel gas column. 5-star swivel base made of cast recycled aluminum with castors, Ø50 mm. Injection molded plastic armrest with J-bar in cast recycled aluminium.	
DIMENSIONS	Height: 820-940 mm	Depth: 630 mm
	Seat height (with load): 390-510 mm	Base diameter: 710 mm
WEIGHT	14.0 kg	
TESTED	EN 1335-1, EN 1335-2	
GUARANTEE	10 years	

Savo Eos

50 BACK

Eos's simple and neat shape is an example of how a good office chair does not have to be sturdy and space-consuming. Eos is an uncomplicated but functional chair that is comfortable to sit in all day. Eo's discreet appearance means that the chair harmonizes with most work environments.

Back height 50



MODEL	Eos workchair
VARIANTS	<ul style="list-style-type: none"> – Back 40 – Back 50
ACCESSORIES	<ul style="list-style-type: none"> – Alternative castors and gliders – Armrests
CONSTRUCTION	Upholstered back with plywood frame and aluminum profile (70% recycled material), cold foam padding. Seat frame made of plywood with cold foam padding. Mechanism cast in recycled aluminium. Height-adjustable steel gas column. 5-star swivel base made of cast recycled aluminium with castors, Ø50 mm. Injection molded plastic armrest with J-bar in cast recycled aluminium.
DIMENSIONS	Height: 890-1010 mm Depth: 630 mm Seat height (with load): 390-510 mm Sit depth: 445-495 mm Base diameter: 710 mm
WEIGHT	14.3 kg
TESTED	EN 1335-1, EN 1335-2
GUARANTEE	10 years