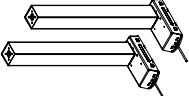
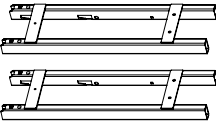


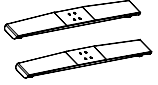



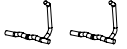









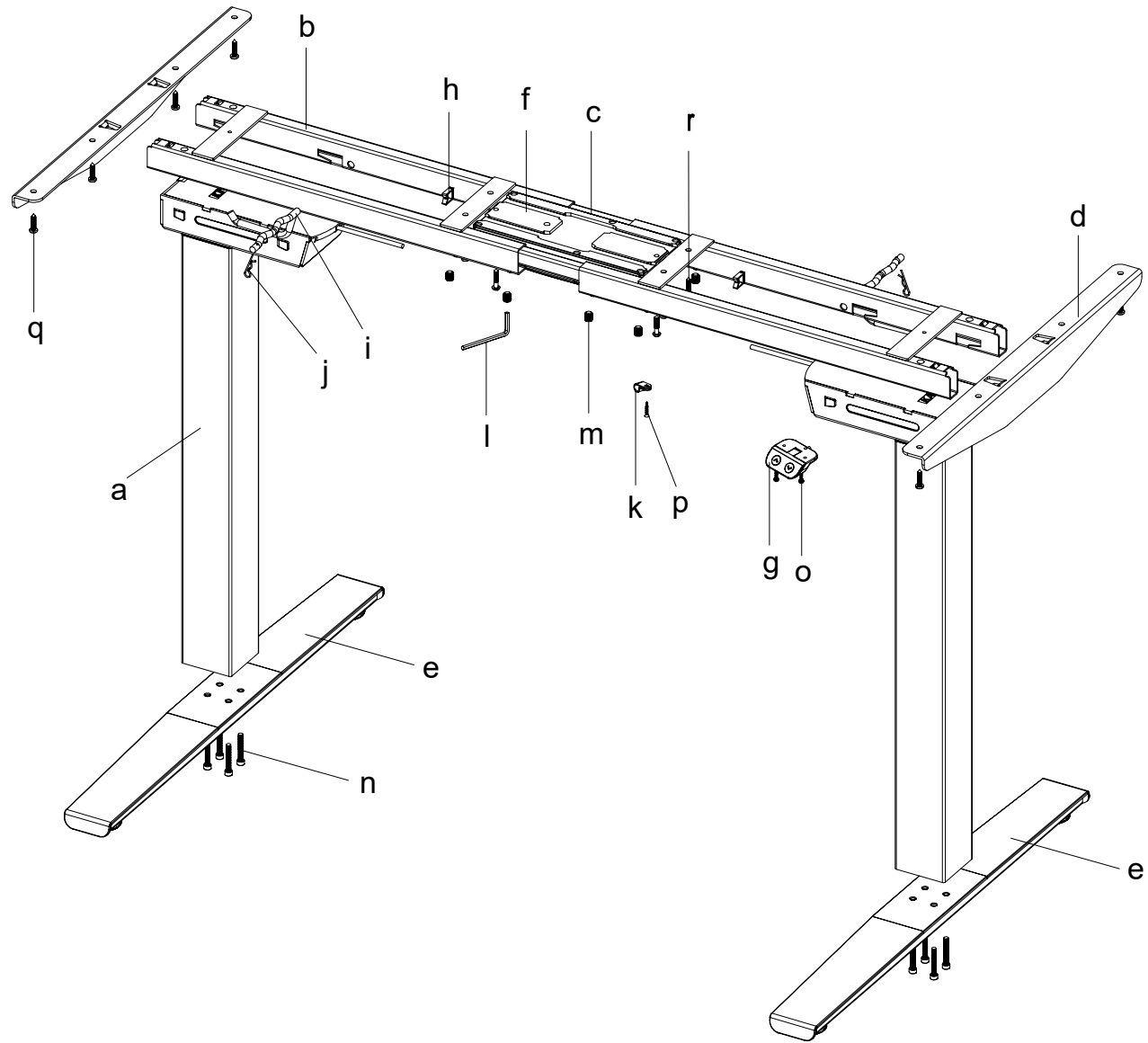


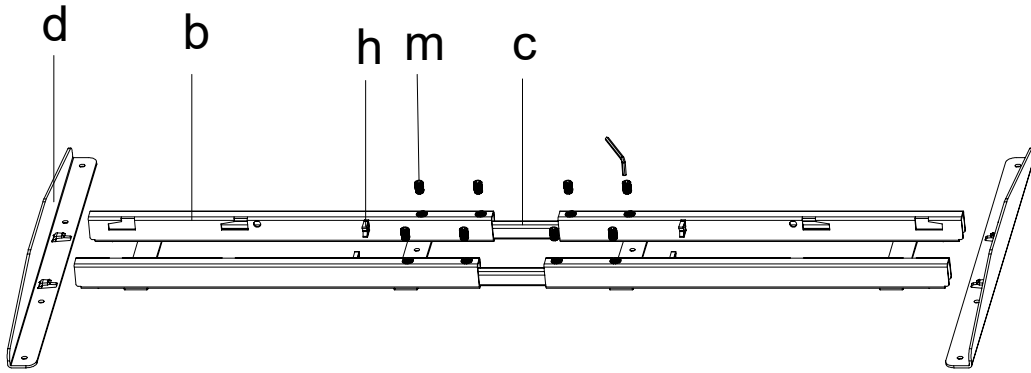
The product contains one or more of following materials:
Metal, plastic, wood, fabric, foam.



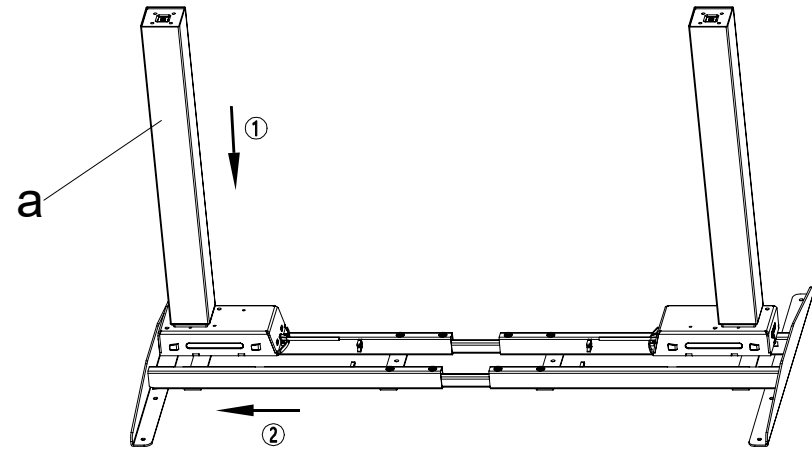
Code	Picture	Qty	Spec	Remark
a		2		
b		2		
c		2		
d		2		
e		2		
f		1		
g		1		
h		4		
i		2		
j		2		
k		10		clip clips
l		1		SW 5
m		8	M10×16	
n		8	M6×40	
o		3	3.5×15	screws for handset
p		10	3.5×16	screws for cable clips
q		12	5×20	screws for desktop
r		2	5×25	screws for control box



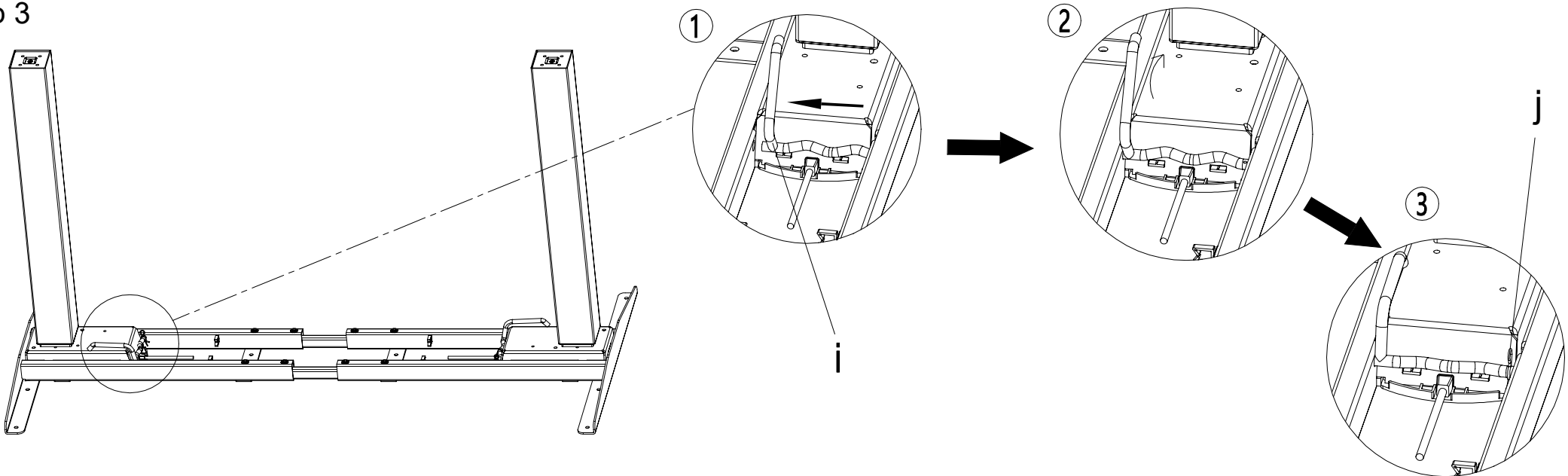
Step 1



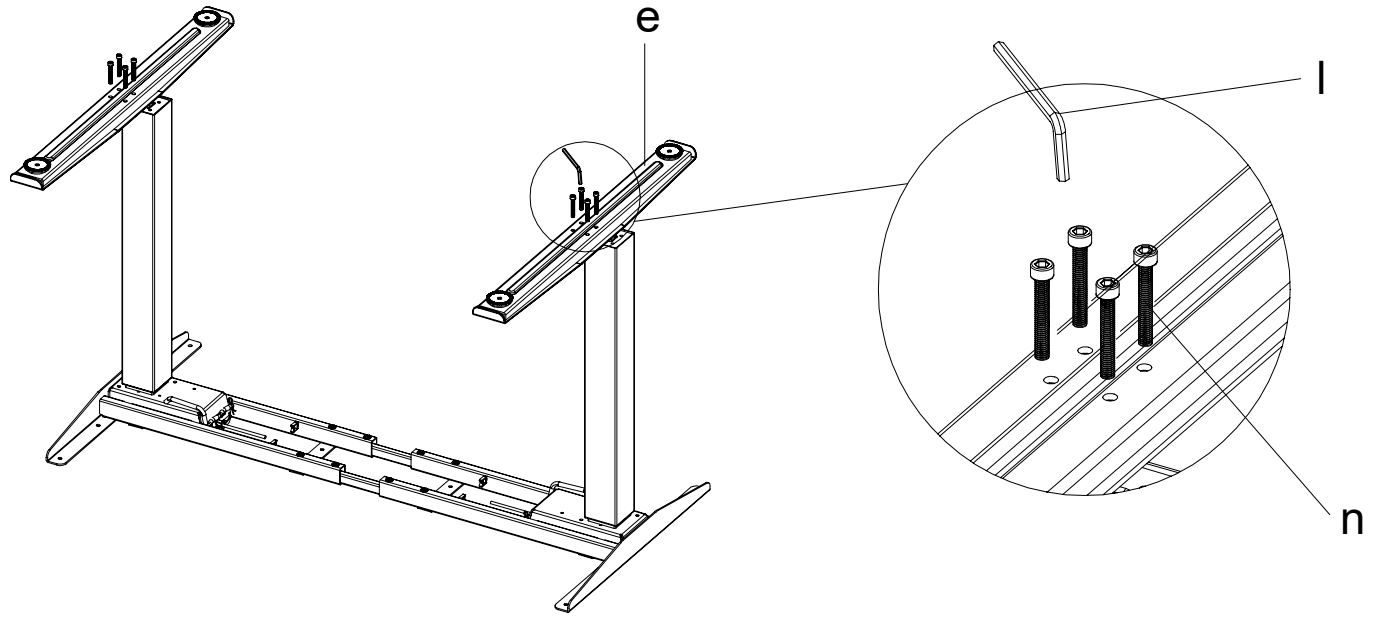
Step 2



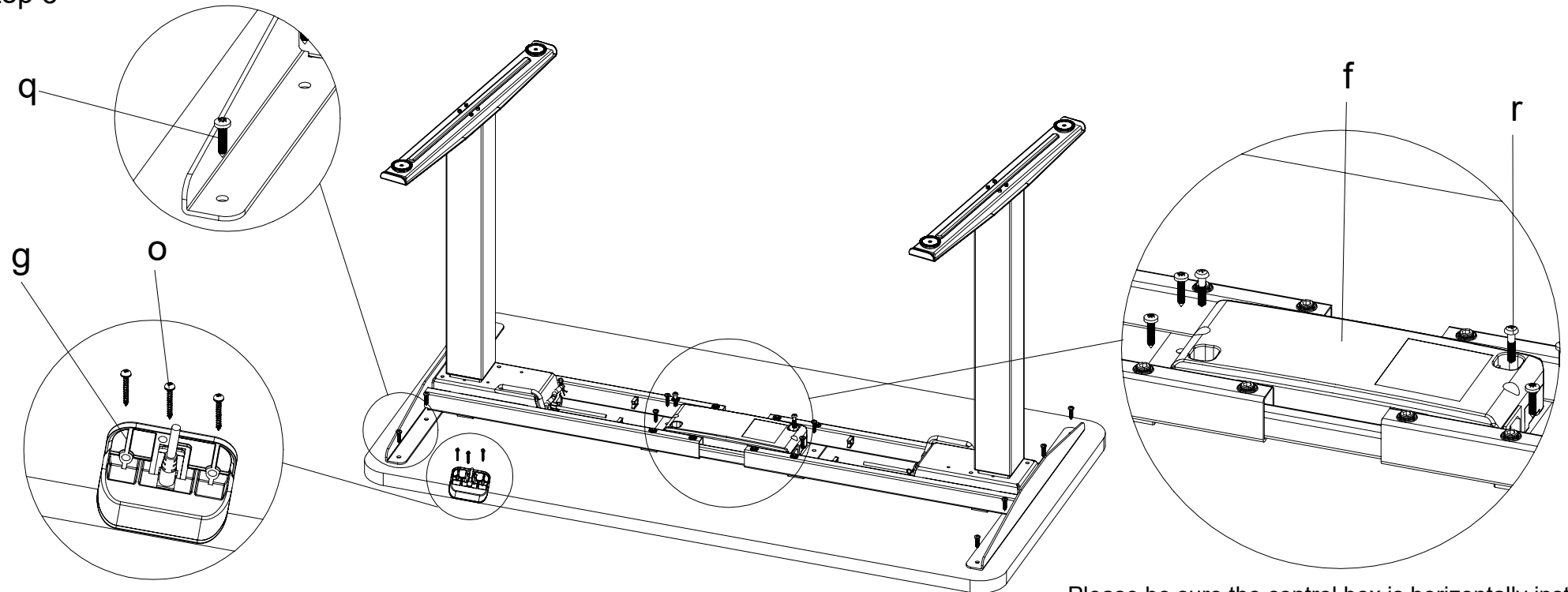
Step 3



Step 4



Step 5



Please be sure the control box is horizontally installed before adjusting the table height.