

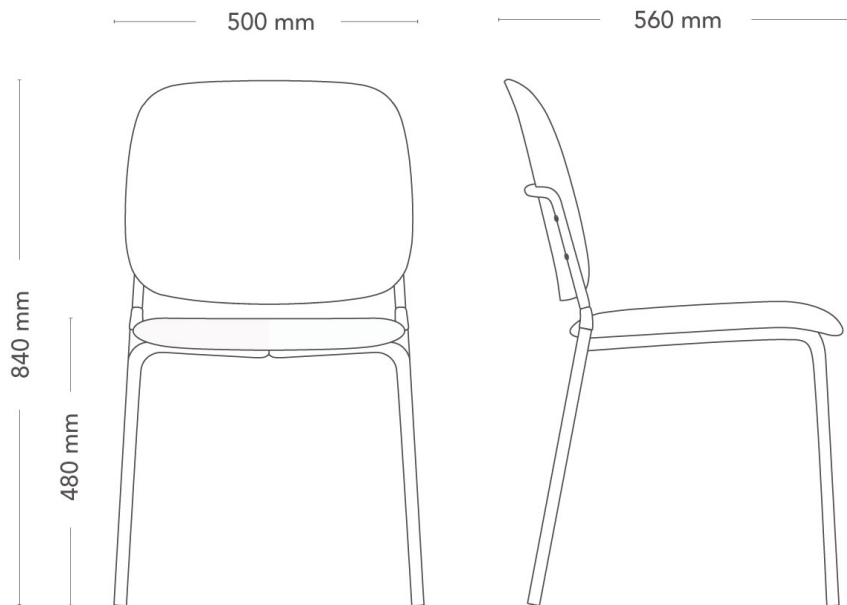
# Bow

## CHAIR

Bow is a minimalist and durable chair designed by Jonas Forsman. With its versatility and its stylish expression, Bow is suitable in conference and meeting rooms, training rooms, auditoriums, touch-down areas, restaurants and cafés. The design allows for any part of Bow to be updated or replaced over time.

Bow is available with fully upholstered back or wooden back, as well as with or without armrests. Both variants are stackable and connectable. The armchair can be hung on the edge of a table.

Wooden backrest, upholstered seat.



## MODEL

Chair

## VARIANTS

– Wooden back

– Upholstered back

## ACCESSORIES

– Felt feet

– Connection fitting

– Chair trolley

## DETAILS

– Bow has spring steel between seat and back for flexibility and comfort. The chair can be fully disassembled which allows for renovation and recycling. The fabric is not glued on, which allows it to be separated during recycling. The fact that the chair can be fully disassembled also means that it is possible to convert a chair into an armchair, or vice versa. The armrest plates are made of wood-fibre, which is a mixture of wood and PP plastic, to reduce the consumption of non-renewable resources.

– Bow is stackable with a maximum of 8 fully upholstered or 10 wooden-back chairs. A maximum of 8 Bows can be stacked on the EFG chair trolley. Bow can be connected, using a connection fitting (sold as an accessory). Bow with armrests can be hung up on a table to facilitate cleaning.

## CONSTRUCTION

Seat and back are joined together with spring-steel parts. The legs and lower part of the frame are made from Ø19 mm steel pipe, while the frame above the seat is made from Ø16 mm steel pipe. The seating plate has a core of laminated wood, covered with foam and upholstered. The backrest plate is either in upholstered, laminated wood or has a core in laminated wood which is then covered with foam and upholstered. Wood-fibre armrest plates, consisting of 40% wood, 60% PP plastic.

---

**DIMENSIONS**

Height: 830 mm

Width: 500 mm

Depth: 560 mm

Seat height: 480 mm

Sit depth: 440 mm

Seat, width x depth: 430x440 mm

Back, width x height: 450x390 mm

Connectable: Yes

Stackable: 10 pcs

---

**WEIGHT**

6.0 kg

---

**TESTED**EN 16139:2013 Furniture - Strength, durability and safety -  
Requirements for non-domestic seating. Test level 1

---

**GUARANTEE**5 years

---

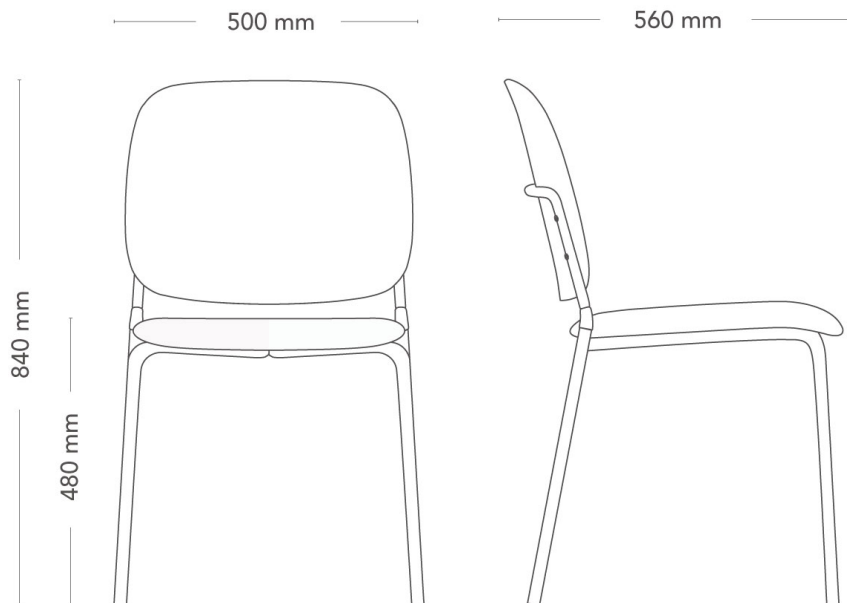
# Bow

## CHAIR

Bow is a minimalist and durable chair designed by Jonas Forsman. With its versatility and its stylish expression, Bow is suitable in conference and meeting rooms, training rooms, auditoriums, touch-down areas, restaurants and cafés. The design allows for any part of Bow to be updated or replaced over time.

Bow is available with fully upholstered back or wooden back, as well as with or without armrests. Both variants are stackable and connectable. The armchair can be hung on the edge of a table.

Upholstered back, upholstered seat



## MODEL

Chair

## VARIANTS

– Wooden back

– Upholstered back

## ACCESSORIES

– Felt feet

– Connection fitting

– Chair trolley

## DETAILS

– Bow has spring steel between seat and back for flexibility and comfort. The chair can be fully disassembled which allows for renovation and recycling. The fabric is not glued on, which allows it to be separated during recycling. The fact that the chair can be fully disassembled also means that it is possible to convert a chair into an armchair, or vice versa. The armrest plates are made of wood-fibre, which is a mixture of wood and PP plastic, to reduce the consumption of non-renewable resources.

– Bow is stackable with a maximum of 8 fully upholstered or 10 wooden-back chairs. A maximum of 8 Bows can be stacked on the EFG chair trolley. Bow can be connected, using a connection fitting (sold as an accessory). Bow with armrests can be hung up on a table to facilitate cleaning.

## CONSTRUCTION

Seat and back are joined together with spring-steel parts. The legs and lower part of the frame are made from Ø19 mm steel pipe, while the frame above the seat is made from Ø16 mm steel pipe. The seating plate has a core of laminated wood, covered with foam and upholstered. The back is made of laminated wood which is either upholstered, or covered with foam and upholstered. Wood-fibre armrest plates consisting of 40% wood, 60% PP plastic.

---

DIMENSIONS	Height: 840 mm Width: 500 mm Depth: 560 mm Seat height: 480 mm Sit depth: 430 mm Seat, width x depth: 430x430 mm Back, width x height: 470x400 mm Connectable: Yes Stackable: 8 pcs
------------	---

---

WEIGHT	6.0 kg
--------	--------

---

TESTED	EN 16139:2013 Furniture - Strength, durability and safety - Requirements for non-domestic seating. Test level 1
--------	---

---

WARRANTY	5 years
----------	---------

---

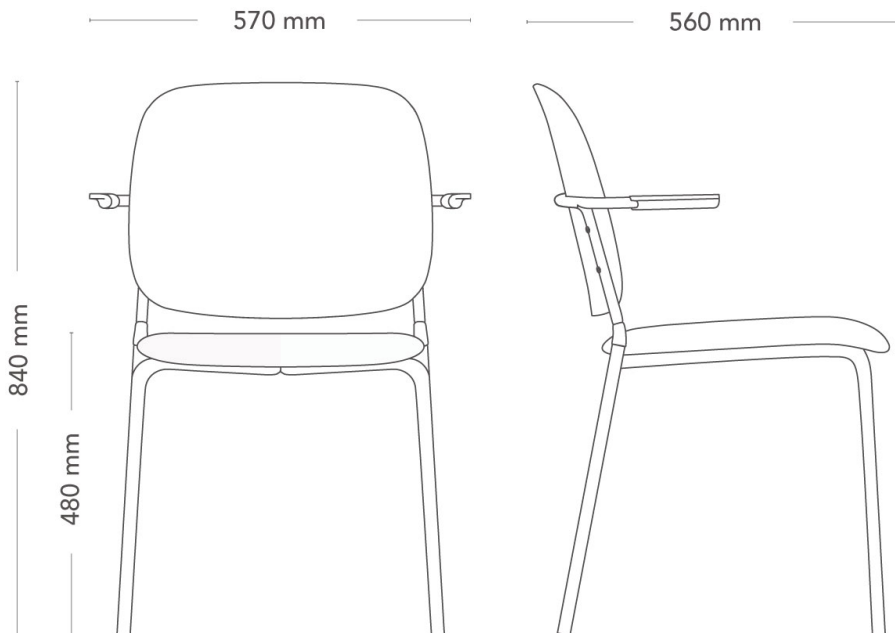
# Bow

## CHAIR WITH ARMRESTS

Bow is a minimalist and durable chair designed by Jonas Forsman. With its versatility and its stylish expression, Bow is suitable in conference and meeting rooms, training rooms, auditoriums, touch-down areas, restaurants and cafés. The design allows for any part of Bow to be updated or replaced over time.

Bow is available with fully upholstered back or wooden back, as well as with or without armrests. Both variants are stackable and connectable. The armchair can be hung on the edge of a table.

Wooden backrest, upholstered seat.



## MODEL

Chair

## VARIANTS

– Wooden back

– Upholstered back

## ACCESSORIES

– Felt feet

– Connection fitting

– Chair trolley

## DETAILS

– Bow has spring steel between seat and back for flexibility and comfort. The chair can be fully disassembled which allows for renovation and recycling. The fabric is not glued on, which allows it to be separated during recycling. The fact that the chair can be fully disassembled also means that it is possible to convert a chair into an armchair, or vice versa. The armrest plates are made of wood-fibre, which is a mixture of wood and PP plastic, to reduce the consumption of non-renewable resources.

– Bow is stackable with a maximum of 8 fully upholstered or 10 wooden-back chairs. A maximum of 8 Bows can be stacked on the EFG chair trolley. Bow can be connected, using a connection fitting (sold as an accessory). Bow with armrests can be hung up on a table to facilitate cleaning.

## CONSTRUCTION

Seat and back are joined together with spring-steel parts. The legs and lower part of the frame are made from Ø19 mm steel pipe, while the frame above the seat is made from Ø16 mm steel pipe. The seating plate has a core of laminated wood, covered with foam and upholstered. The back is made of laminated wood which is either upholstered, or covered with foam and upholstered. Wood-fibre armrest plates consisting of 40% wood, 60% PP plastic.

---

DIMENSIONS	Height: 830 mm Width: 570 mm Depth: 560 mm Total height armrests: 680 mm Seat height: 480 mm Sit depth: 440 mm Seat, width x depth: 430x440 mm Back, width x height: 450x390 mm Connectable: Yes Stackable: 10 pcs
------------	---

---

WEIGHT	6.4 kg
--------	--------

---

TESTED	EN 16139:2013 Furniture - Strength, durability and safety - Requirements for non-domestic seating. Test level 1
--------	---

---

WARRANTY	5 years
----------	---------

---

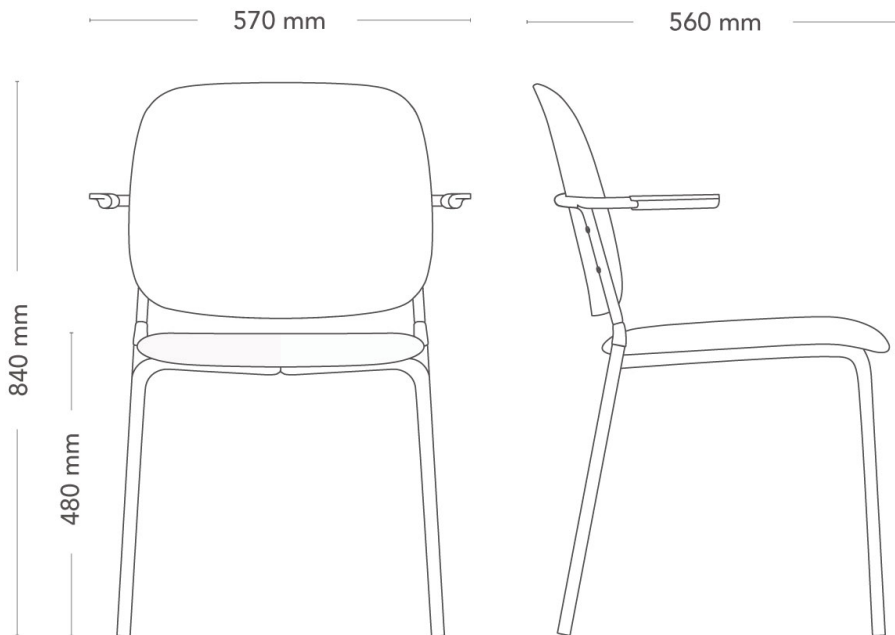
# Bow

## CHAIR WITH ARMRESTS

Bow is a minimalist and durable chair designed by Jonas Forsman. With its versatility and its stylish expression, Bow is suitable in conference and meeting rooms, training rooms, auditoriums, touch-down areas, restaurants and cafés. The design allows for any part of Bow to be updated or replaced over time.

Bow is available with fully upholstered back or wooden back, as well as with or without armrests. Both variants are stackable and connectable. The armchair can be hung on the edge of a table.

Upholstered back, upholstered seat



### MODEL

Chair

### VARIANTS

– Wooden back

– Upholstered back

### ACCESSORIES

– Felt feet

– Connection fitting

– Chair trolley

### DETAILS

– Bow has spring steel between seat and back for flexibility and comfort. The chair can be fully disassembled which allows for renovation and recycling. The fabric is not glued on, which allows it to be separated during recycling. The fact that the chair can be fully disassembled also means that it is possible to convert a chair into an armchair, or vice versa. The armrest plates are made of wood-fibre, which is a mixture of wood and PP plastic, to reduce the consumption of non-renewable resources.

– Bow is stackable with a maximum of 8 fully upholstered or 10 wooden-back chairs. A maximum of 8 Bows can be stacked on the EFG chair trolley. Bow can be connected, using a connection fitting (sold as an accessory). Bow with armrests can be hung up on a table to facilitate cleaning.

### CONSTRUCTION

Seat and back are joined together with spring-steel parts. The legs and lower part of the frame are made from Ø19 mm steel pipe, while the frame above the seat is made from Ø16 mm steel pipe. The seating plate has a core of laminated wood, covered with foam and upholstered. The back is made of laminated wood which is either upholstered, or covered with foam and upholstered. Wood-fibre armrest plates consisting of 40% wood, 60% PP plastic.

---

**DIMENSIONS**

Height: 840 mm

Width: 570 mm

Depth: 560 mm

Total height armrests: 680 mm

Seat height: 480 mm

Sit depth: 430 mm

Seat, width x depth: 430x430 mm

Back, width x height: 470x400 mm

Connectable: Yes

Stackable: 8 pcs

---

**WEIGHT**

6.4 kg

---

**TESTED**EN 16139:2013 Furniture - Strength, durability and safety -  
Requirements for non-domestic seating. Test level 1

---

**WARRANTY**5 years

---