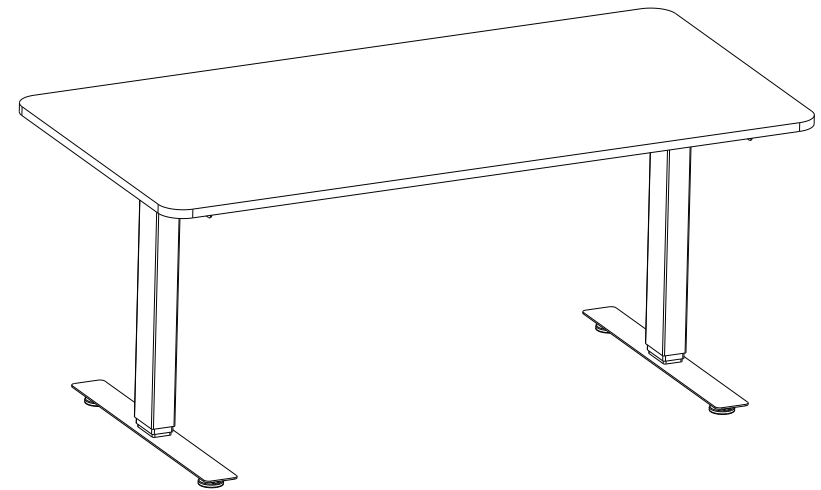


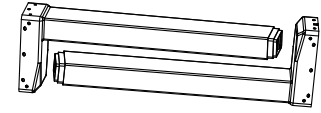

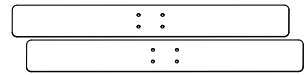









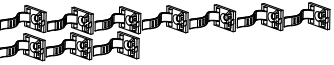



The product contains one or more of following materials:  
 Metal, plastic, wood, fabric, foam.



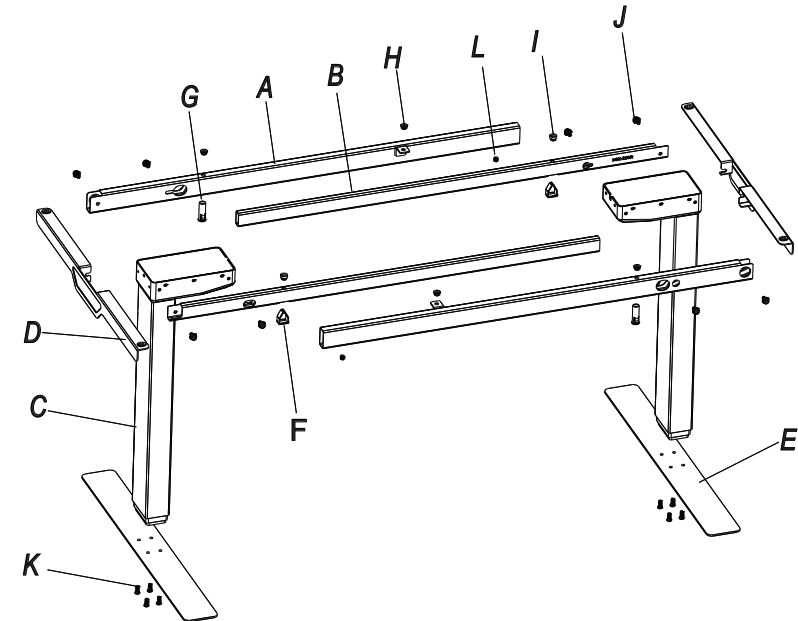
## EFG Izi Pro S

Overview of all parts for the frame (excluding cables, control box and cables).

Code	Picture	Qty	Spec	Spec
A		2	Frame(L)	
B		2	Frame(R)	
C		2	Column	
D		2	Side bracket	
E		2	Foot	
F		2		Screw clamp
G		2		Guide clip
H		4	2mm rubber	For frame(L)
I		2	5mm rubber	For frame(R)
J		8	M6*12	Screws for Columns
K		8	M6*14	Screws for Feet
L		2	M8*8	Screws for Frames
M		12	ST5*20	Screws for table top and control box
N		2	ST5*16	Screws for handset
O		10		Wire clips
P		1		Tool

## EFG Izi Pro S - Frame assembly (overview)

Position of parts and how to install the frame.



### Initialization procedure

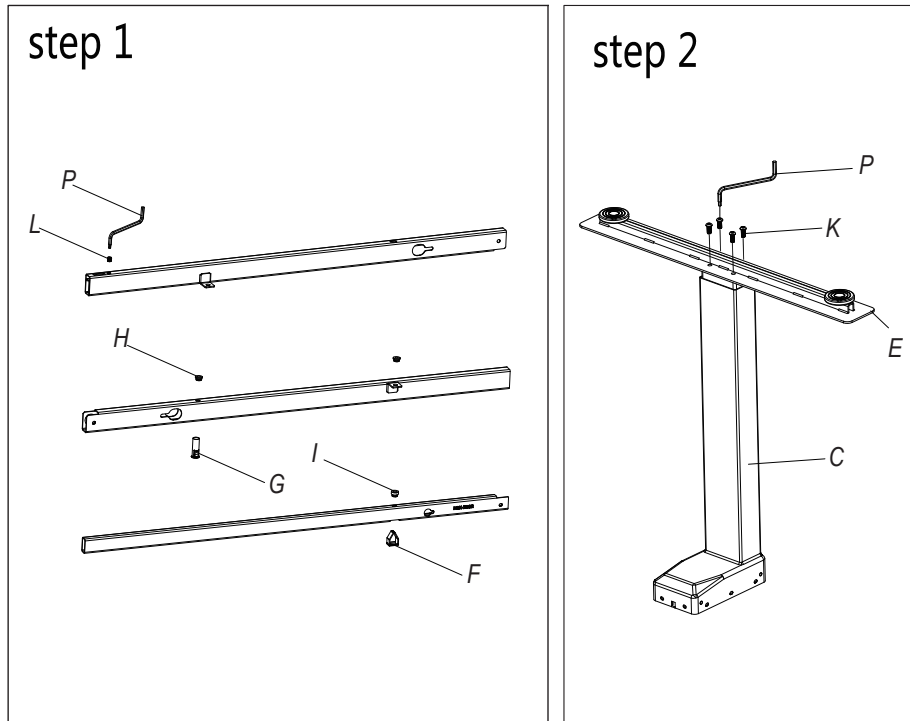
1. Press and hold ↓ 6 sec. Legs begin to move down at half speed
2. Keep pressing ↑ & ↓ Legs move down to the lowest position and rebound 5 mm then stop
3. Ok ! Ready to use

## EFG Izi Pro S - Frame assembly - Step 1 & 2

Step 1 = Frame work preparation:

1. First step use the tool P to loosen the screws L and take out the frame(R) B;
2. Mount 2mm rubber H and guide clip G on the frame(L) A;
3. Mount 5mm rubber I and screw clamp F on the frame(R) B.

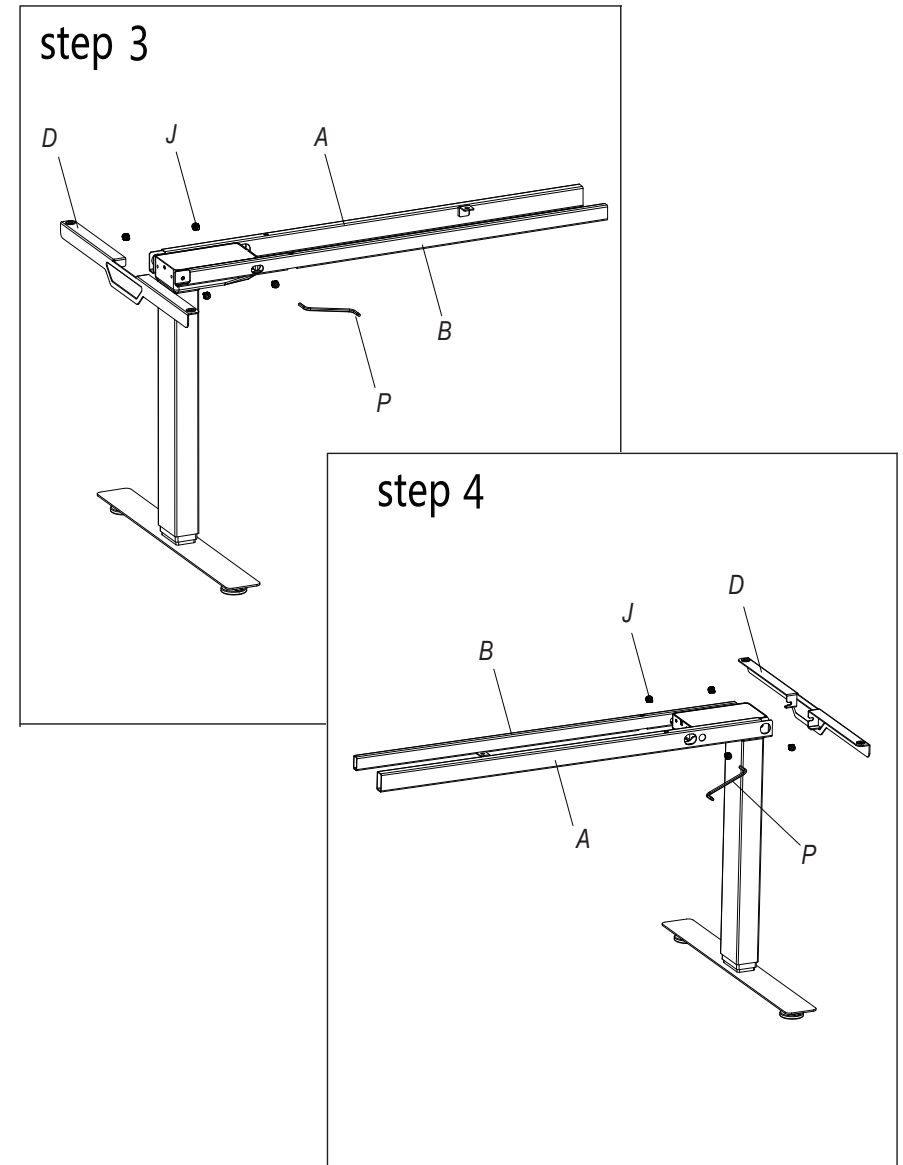
Step 2 = Mount feet E to column C. Use screws K and Tool P



## EFG Izi Pro S - Frame assembly - Step 3 & 4

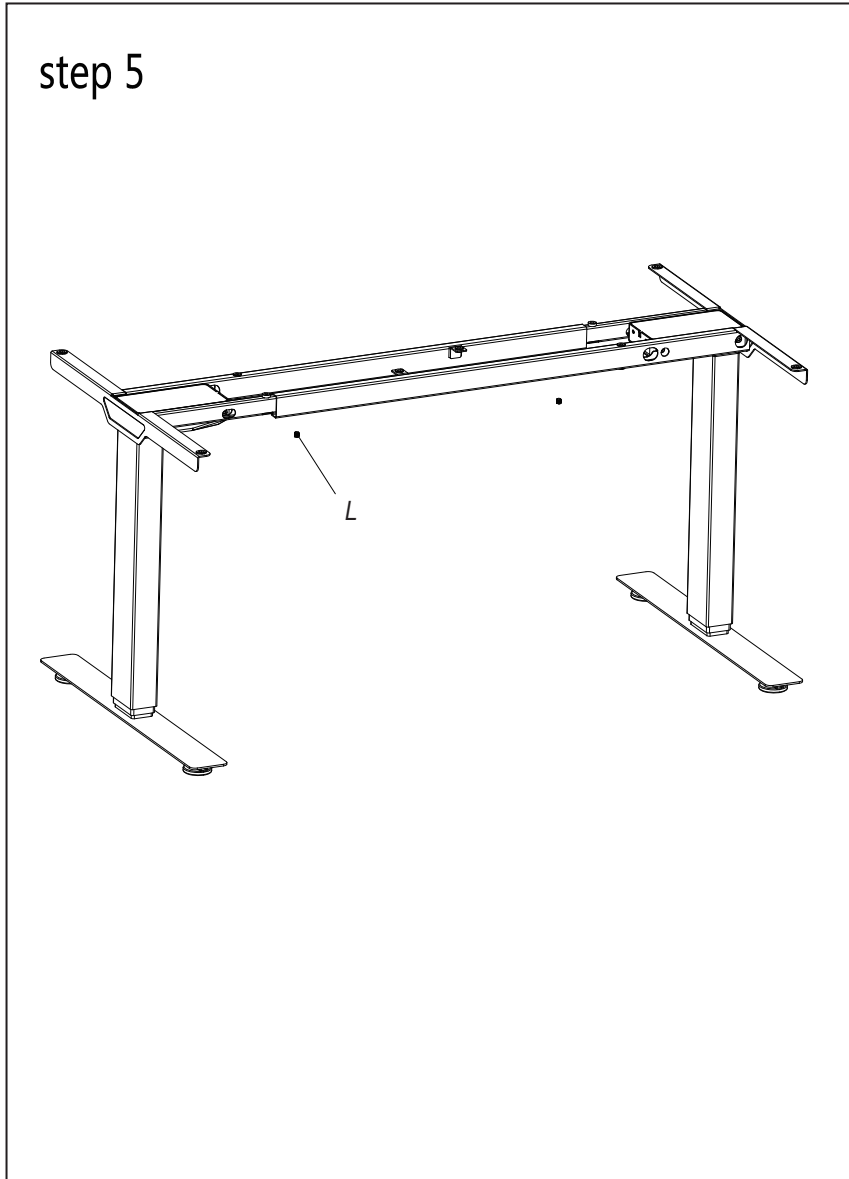
Step 3 = Mount Frame A, B and Side bracket D to column C, use screws J and Tool P;

Step 4 = Same as Step 2, but switch place on Frame A, B and Side bracket D.



## EFG Izi Pro S - Frame assembly - Step 5

Step 5 = Adjust to the desired length and tighten screws L to fixed frame(L) A and Frame(R) B.



## EFG Izi Pro S - Frame assembly - Step 6, 7, 8, 9 & 10

Step 6 = Place frame on table top and assemble it with screw K in holes on Frame A、 B and Side bracket D.

Step 7 = Mount handset with screws L and control box with screws K.

Step 8 = clips Q to collect cables and make it neat.

Step 9 = Observe and finish!



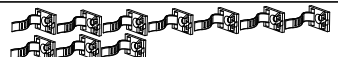
Step 10 = Go through the initialization procedure (page 3).

### OBSERVE:

Make sure every screw is tightened before use.

Turn the table around to standing position and plug the cable.

Ready to use!

M		12	ST5*20	Screws for table top and control box
N		2	ST5*16	Screws for handset
O		10		Wire clips