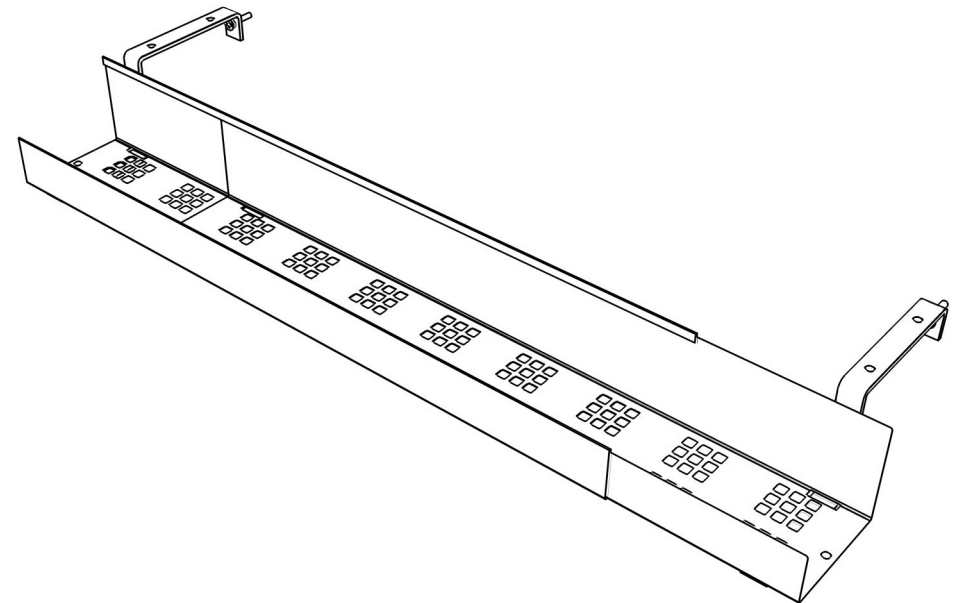


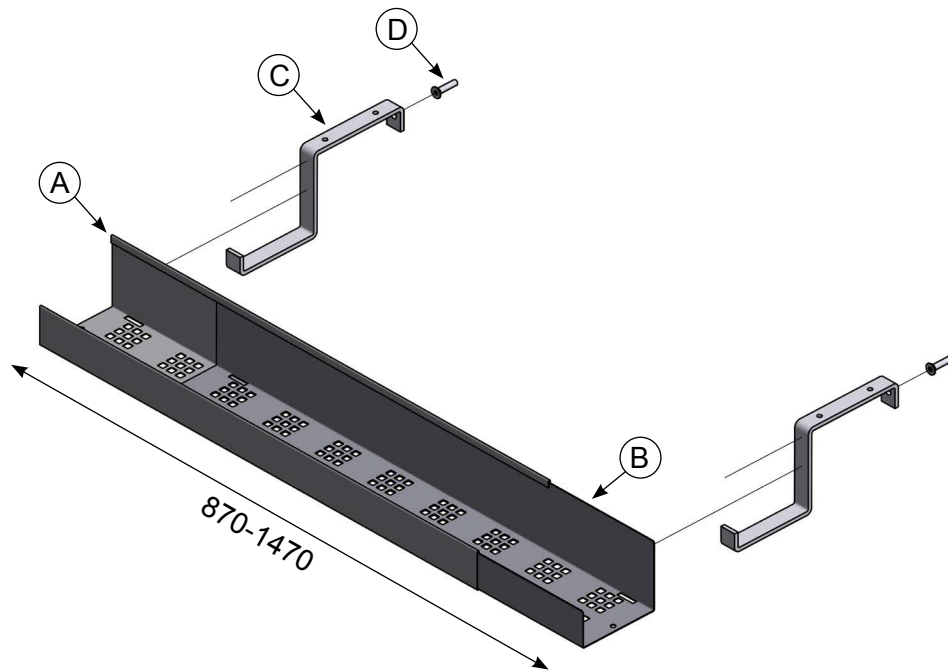
The product contains one or more of following materials:
Metal, plastic, wood, fabric, foam.



EFG V29A80 - Parts

Overview of all parts for the cable duct.
Cable duct is telescopic from **870mm** to **1470mm** and works for table lengths from **1400mm** to **2000mm**.

- A** = Outer part (x1)
- B** = Inner part (x1)
- C** = Hooks (x2)
- D** = Screws, M8x35 (x2)



EFG V29A80 - Assembly on frame

Assemble the hooks over the beams holes closest to the center (1).
Switch the screws for beams to the M8x35 (D) that came with the cable duct.

The cable duct parts are resting on the hooks and can be rotated depending on which side you want the high wall to be facing.

