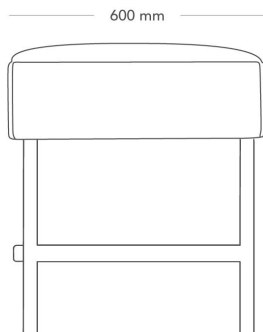
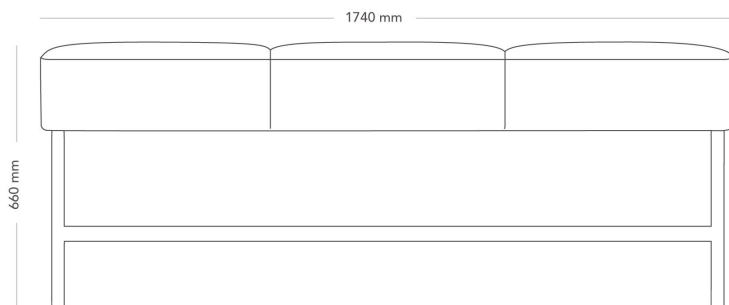


Mingle High

BENCH, 3-SEATER

Mingle High fits as a bar stool or sofa in restaurant environments or in the office at higher tables. Bench, armchair and sofa can be easily varied and combined into a personal solution.

Mingle High is available with one, two or three seats. For two- and three-seater, there is an optional flexible table / tablet.



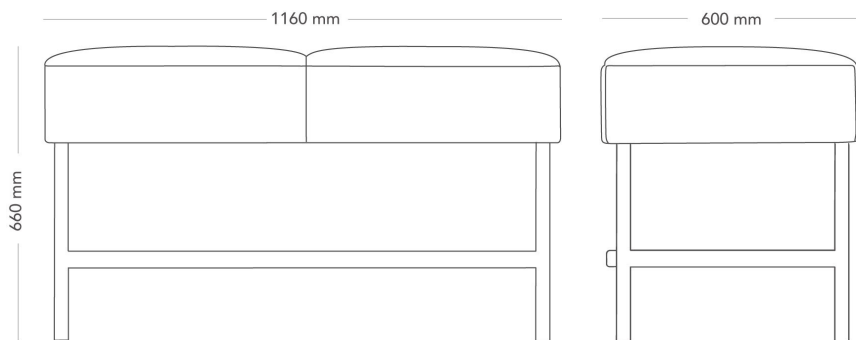
MODEL	Bench	
ACCESSORIES	<ul style="list-style-type: none"> – Power and cable management – Flexible table 	
DETAILS	– Upholstered in one or two colours of fabric. Suitable for table heights <900 mm.	
CONSTRUCTION	Wooden seating frame made of board and solid wood, fully upholstered. Cold-foam padding, fully upholstered. Ø30 mm straight metal legs, made of powder-coated steel tube. Horizontal powder-coated steel-tube foot support Ø20mm.	
DIMENSIONS	Height: 650 mm Depth: 580 mm Seat height: 650 mm	Width: 1740 mm Seat height (with load): 590 mm
WEIGHT	31.2 kg	
TESTED	EN 16139, EN 1728	
GUARANTEE	5 years	

Mingle High

BENCH, 2-SEATER

Mingle High fits as a bar stool or sofa in restaurant environments or in the office at higher tables. Bench, armchair and sofa can be easily varied and combined into a personal solution.

Mingle High is available with one, two or three seats. For two- and three-seater, there is an optional flexible table / tablet.



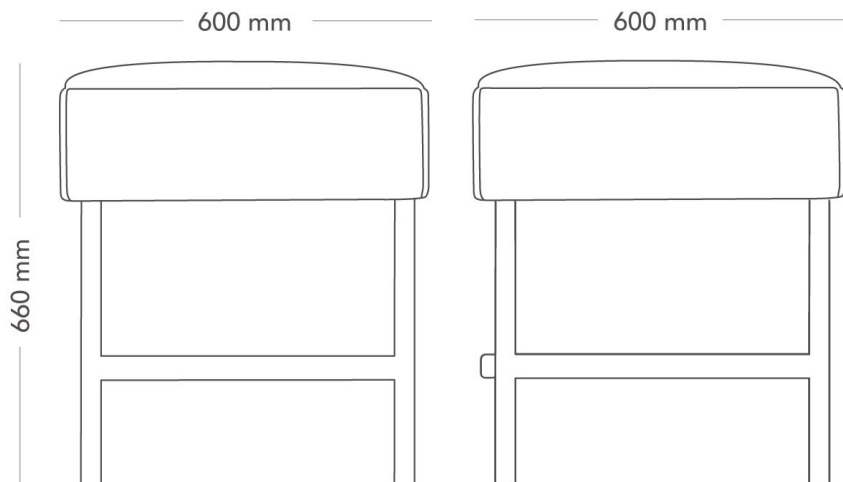
MODEL	Bench	
ACCESSORIES	<ul style="list-style-type: none"> – Power and cable management – Flexible table 	
DETAILS	– Upholstered in one or two colours of fabric. Suitable for table heights <900 mm.	
CONSTRUCTION	Wooden seating frame made of board and solid wood, fully upholstered. Cold-foam padding, fully upholstered. Ø30 mm straight metal legs, made of powder-coated steel tube. Horizontal powder-coated steel-tube foot support Ø20mm.	
DIMENSIONS	Height: 650 mm Depth: 580 mm Seat height: 650 mm	Width: 1160 mm Seat height (with load): 590 mm
WEIGHT	22.2 kg	
TESTED	EN 16139, EN 1728	
GUARANTEE	5 years	

Mingle High

BENCH, 1-SEATER

Mingle High fits as a bar stool or sofa in restaurant environments or in the office at higher tables. Bench, armchair and sofa can be easily varied and combined into a personal solution.

Mingle High is available with one, two or three seats. For two- and three-seater, there is an optional flexible table / tablet.



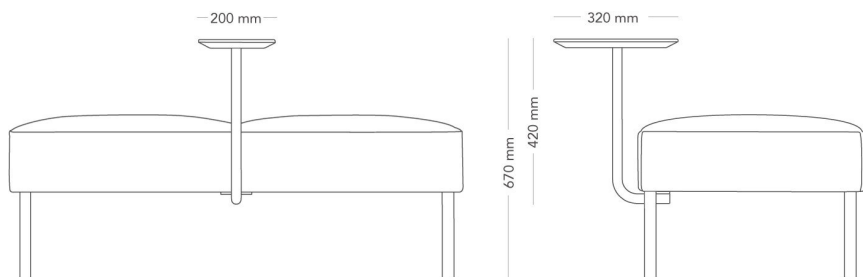
MODEL	Bench	
ACCESSORIES	<ul style="list-style-type: none"> – Power and cable management – Flexible table 	
DETAILS	– Upholstered in one or two colours of fabric. Suitable for table heights <900 mm.	
CONSTRUCTION	Wooden seating frame made of board and solid wood, fully upholstered. Cold-foam padding, fully upholstered. Ø30 mm straight metal legs, made of powder-coated steel tube. Horizontal powder-coated steel-tube foot support Ø20mm.	
DIMENSIONS	Height: 650 mm Depth: 580 mm	Width: 580 mm Seat height (with load): 590 mm
WEIGHT	15.2 kg	
TESTED	EN 16139, EN 1728	
GUARANTEE	5 years	

Mingle High

TABLE

Mingle High fits as a bar stool or sofa in restaurant environments or in the office at higher tables. Bench, armchair and sofa can be easily varied and combined into a personal solution.

Mingle High is available with one, two or three seats. For two- and three-seater, there is an optional flexible table / tablet.



MODEL	Flexible table
CONSTRUCTION	Frame of powder-coated steel tube.
DIMENSIONS	Height: 420 mm Width: 200 mm Depth: 320 mm
WEIGHT	5.9 kg
TESTED	EN 16139, EN 1728
GUARANTEE	5 years