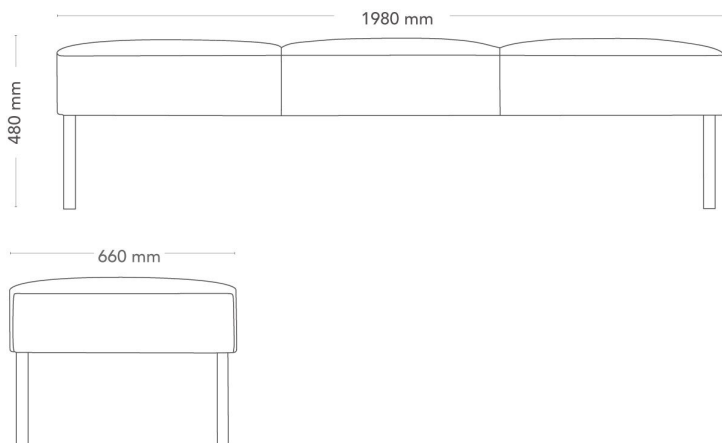


# Mingle Lounge

## BENCH, 3-SEATER

Mingle Lounge is a sofa series with generous dimensions for relaxed seating in the open office, the lounge, restaurant or café. The many options offer a great variety of shapes, sizes and heights. Bench, armchair, and sofa can be built into both open and secluded spaces. Place a two-seater sofa in the reception, or let a creative Mingle combination meander through the office landscape.

Mingle Lounge bench is available with one, two or three seats and can be a free-standing piece or can be included as part of a Mingle Lounge combination. For two- and three-seater, there is an optional flexible table / tablet.



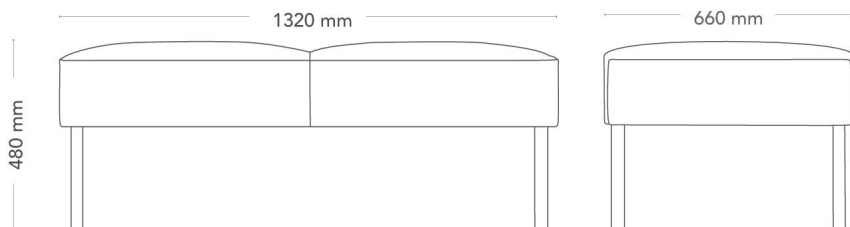
MODEL	Bench	
VARIANTS	<ul style="list-style-type: none"> <li>– Metal legs</li> <li>– Wooden legs</li> </ul>	
ACCESSORIES	<ul style="list-style-type: none"> <li>– Power and cable management</li> <li>– Flexible table</li> </ul>	
DETAILS	<ul style="list-style-type: none"> <li>– Upholstery in one or two colours.</li> <li>– Stand-alone or connectable units.</li> </ul>	
CONSTRUCTION	Wooden seating frame made of wood-fibre board and solid wood. Cold-foam padding, fully upholstered. Sledge frame, made of Ø12 mm steel tube. Ø30 mm straight metal legs, made of powder-coated steel tube. Round, straight solid-wood legs Ø45 mm.	
DIMENSIONS	Height: 480 mm Depth: 660 mm	Width: 1980 mm Seat height: 480 mm
WEIGHT	31.0 kg	
TESTED	EN 16139, EN 1728	
WARRANTY	5 years	

# Mingle Lounge

## BENCH, 2-SEATER

Mingle Lounge is a sofa series with generous dimensions for relaxed seating in the open office, the lounge, restaurant or café. The many options offer a great variety of shapes, sizes and heights. Bench, armchair, and sofa can be built into both open and secluded spaces. Place a two-seater sofa in the reception, or let a creative Mingle combination meander through the office landscape.

Mingle Lounge bench is available with one, two or three seats and can be a free-standing piece or can be included as part of a Mingle Lounge combination. For two- and three-seater, there is an optional flexible table / tablet.



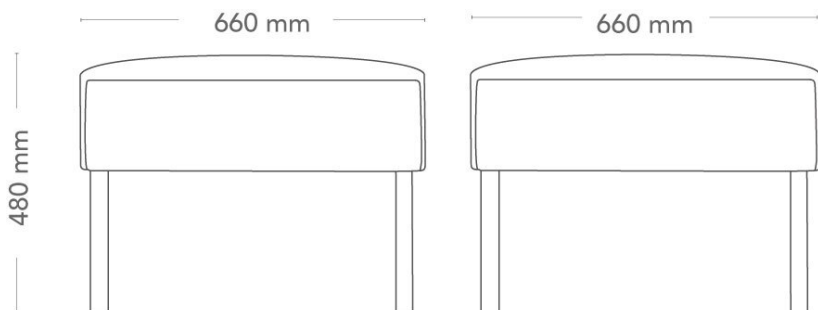
MODEL	Bench	
VARIANTS	<ul style="list-style-type: none"> <li>– Metal legs</li> <li>– Wooden legs</li> </ul>	
ACCESSORIES	<ul style="list-style-type: none"> <li>– Power and cable management</li> <li>– Flexible table</li> </ul>	
DETAILS	<ul style="list-style-type: none"> <li>– Upholstery in one or two colours.</li> <li>– Stand-alone or connectable units.</li> </ul>	
CONSTRUCTION	Wooden seating frame made of wood-fibre board and solid wood. Cold-foam padding, fully upholstered. Sledge frame, made of Ø12 mm steel tube. Ø30 mm straight metal legs, made of powder-coated steel tube. Round, straight solid-wood legs Ø45 mm.	
DIMENSIONS	Height: 480 mm Depth: 660 mm	Width: 1320 mm Seat height: 480 mm
WEIGHT	20.8 kg	
TESTED	EN 16139, EN 1728	
WARRANTY	5 years	

# Mingle Lounge

## BENCH, 1-SEATER

Mingle Lounge is a sofa series with generous dimensions for relaxed seating in the open office, the lounge, restaurant or café. The many options offer a great variety of shapes, sizes and heights. Bench, armchair, and sofa can be built into both open and secluded spaces. Place a two-seater sofa in the reception, or let a creative Mingle combination meander through the office landscape.

Mingle Lounge bench is available with one, two or three seats and can be a free-standing piece or can be included as part of a Mingle Lounge combination. For two- and three-seater, there is an optional flexible table / tablet.



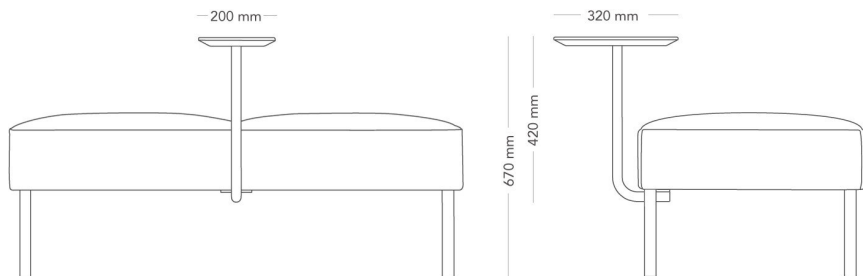
MODEL	Bench
VARIANTS	<ul style="list-style-type: none"> <li>– Metal legs</li> <li>– Wooden legs</li> </ul>
ACCESSORIES	<ul style="list-style-type: none"> <li>– Power and cable management</li> <li>– Flexible table</li> </ul>
DETAILS	<ul style="list-style-type: none"> <li>– Upholstery in one or two colours.</li> <li>– Stand-alone or connectable units.</li> </ul>
CONSTRUCTION	Wooden seating frame made of wood-fibre board and solid wood. Cold-foam padding, fully upholstered. Sledge frame, made of Ø12 mm steel tube. Ø30 mm straight metal legs, made of powder-coated steel tube. Round, straight solid-wood legs Ø45 mm.
DIMENSIONS	Width: 660 mm                      Depth: 660 mm Seat height: 480 mm
WEIGHT	12.9 kg
TESTED	EN 16139, EN 1728
WARRANTY	5 years

# Mingle Lounge

## TABLE

Mingle Lounge is a sofa series with generous dimensions for relaxed seating in the open office, the lounge, restaurant or café. The many options offer a great variety of shapes, sizes and heights. Bench, armchair, and sofa can be built into both open and secluded spaces. Place a two-seater sofa in the reception, or let a creative Mingle combination meander through the office landscape.

Mingle Lounge bench is available with one, two or three seats and can be a free-standing piece or can be included as part of a Mingle Lounge combination. For two- and three-seater, there is an optional flexible table / tablet.



MODEL	Bench
VARIANTS	<ul style="list-style-type: none"> <li>– Metal legs</li> <li>– Wooden legs</li> </ul>
ACCESSORIES	<ul style="list-style-type: none"> <li>– Power and cable management</li> <li>– Flexible table</li> </ul>
DETAILS	<ul style="list-style-type: none"> <li>– Upholstery in one or two colours.</li> <li>– Stand-alone or connectable units.</li> </ul>
CONSTRUCTION	Wooden seating frame made of wood-fibre board and solid wood. Cold-foam padding, fully upholstered. Sledge frame, made of Ø12 mm steel tube. Ø30 mm straight metal legs, made of powder-coated steel tube. Round, straight solid-wood legs Ø45 mm.
DIMENSIONS	Height: 420 mm                      Width: 200 mm Depth: 320 mm
WEIGHT	5.9 kg
TESTED	EN 16139, EN 1728
WARRANTY	5 years