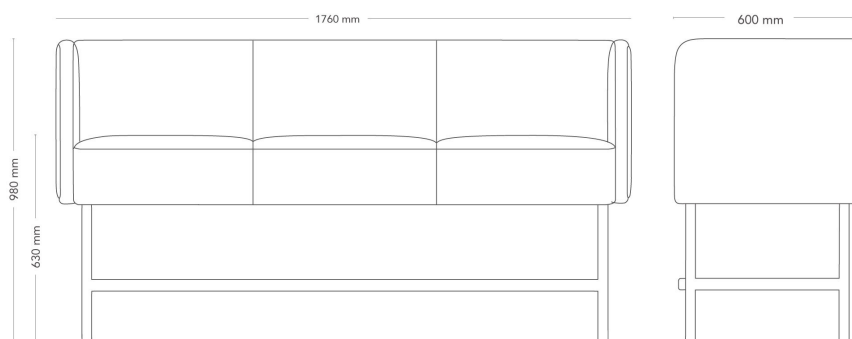


Mingle Bar

SOFA, 3-SEATER

Mingle Bar with extra high seat height complements the Mingle family for furnishings in dining rooms, cafes, restaurants or offices. Like other members of the Mingle family, Mingle Bar variant is easy to vary and comes with or without armrests, or as a bench.

Mingle Bar sofa is available as two or three seater, with or without armrests. A flexible table/tablet is available as option.



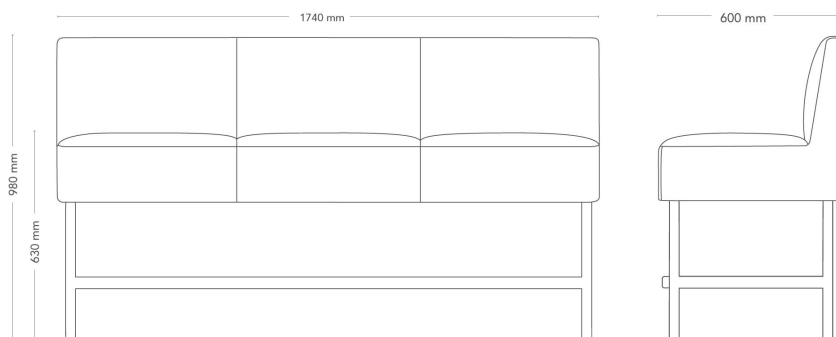
MODEL	Sofa	
VARIANTS	– Without armrests	
ACCESSORIES	– Power and cable management – Flexible table	
DETAILS	– Upholstered in one or two colours of fabric or leather. – Extra high sofa.	
CONSTRUCTION	Wooden seating frame made of board and solid wood, fully upholstered. Cold-foam padding, fully upholstered. Ø30 mm straight metal legs, made of powder-coated steel tube. Horizontal powder-coated steel-tube foot support Ø20mm.	
DIMENSIONS	Height: 980 mm Depth: 580 mm Sit depth: 450 mm	Width: 1840 mm Seat height: 630 mm
WEIGHT	52.6 kg	
TESTED	EN 16139, EN 1728	
WARRANTY	5 years	

Mingle Bar

SOFA WITHOUT ARMRESTS, 3-SEATER

Mingle Bar with extra high seat height complements the Mingle family for furnishings in dining rooms, cafes, restaurants or offices. Like other members of the Mingle family, Mingle Bar variant is easy to vary and comes with or without armrests, or as a bench.

Mingle Bar sofa is available as two or three seater, with or without armrests. A flexible table/tablet is available as option.



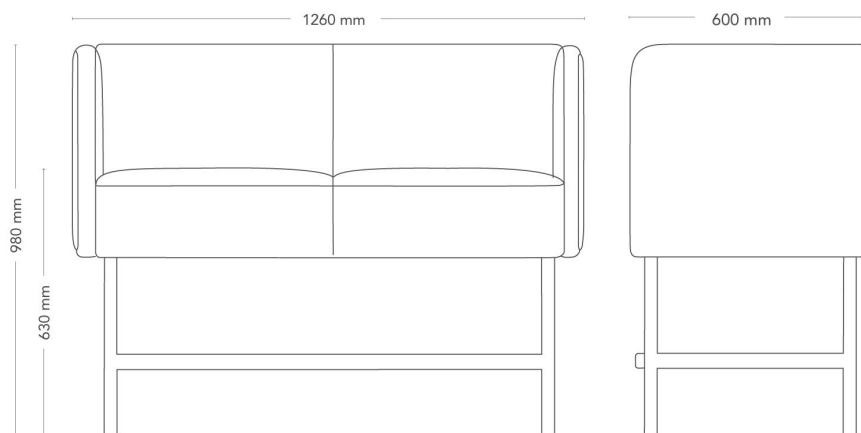
MODEL	Sofa	
VARIANTS	– Armrests	
ACCESSORIES	– Power and cable management – Flexible table	
DETAILS	– Upholstered in one or two colours of fabric or leather. – Extra high sofa.	
CONSTRUCTION	Wooden seating frame made of board and solid wood, fully upholstered. Cold-foam padding, fully upholstered. Ø30 mm straight metal legs, made of powder-coated steel tube. Horizontal powder-coated steel-tube foot support Ø20mm.	
DIMENSIONS	Height: 980 mm Depth: 580 mm Sit depth: 450 mm	Width: 1740 mm Seat height: 630 mm
WEIGHT	39.6 kg	
TESTED	EN 16139, EN 1728	
WARRANTY	5 years	

Mingle Bar

SOFA, 2-SEATER

Mingle Bar with extra high seat height complements the Mingle family for furnishings in dining rooms, cafes, restaurants or offices. Like other members of the Mingle family, Mingle Bar variant is easy to vary and comes with or without armrests, or as a bench.

Mingle Bar sofa is available as two or three seater, with or without armrests. A flexible table/tablet is available as option.



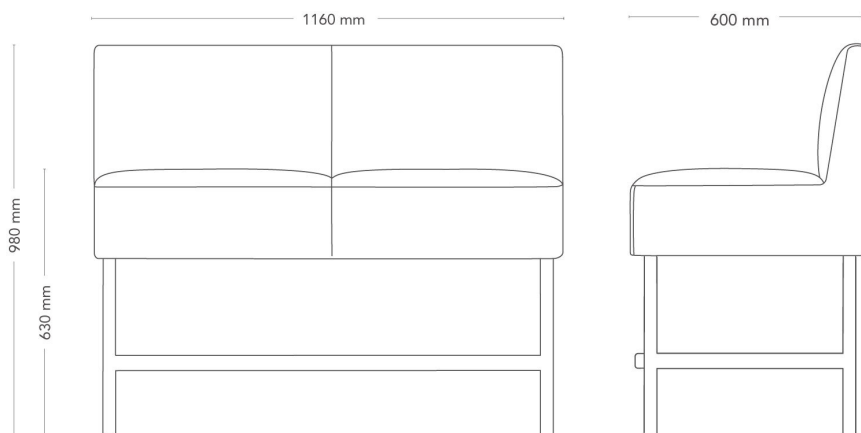
MODEL	Sofa	
VARIANTS	– Without armrests	
ACCESSORIES	– Power and cable management – Flexible table	
DETAILS	– Upholstered in one or two colours of fabric or leather. – Extra high sofa.	
CONSTRUCTION	Wooden seating frame made of board and solid wood, fully upholstered. Cold-foam padding, fully upholstered. Ø30 mm straight metal legs, made of powder-coated steel tube. Horizontal powder-coated steel-tube foot support Ø20mm.	
DIMENSIONS	Height: 980 mm Depth: 580 mm Sit depth: 450 mm	Width: 1260 mm Seat height: 630 mm Stroke: 980 mm
WEIGHT	42.9 kg	
TESTED	EN 16139, EN 1728	
WARRANTY	5 years	

Mingle Bar

SOFA WITHOUT ARMRESTS, 2-SEATER

Mingle Bar with extra high seat height complements the Mingle family for furnishings in dining rooms, cafes, restaurants or offices. Like other members of the Mingle family, Mingle Bar variant is easy to vary and comes with or without armrests, or as a bench.

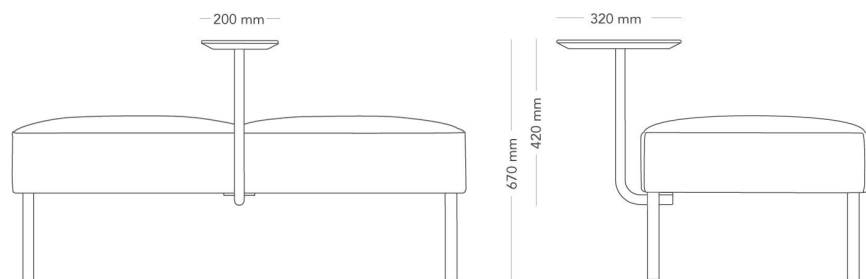
Mingle Bar sofa is available as two or three seater, with or without armrests. A flexible table/tablet is available as option.



MODEL	Sofa	
VARIANTS	– Armrests	
ACCESSORIES	– Power and cable management – Flexible table	
DETAILS	– Upholstered in one or two colours of fabric or leather. – Extra high sofa.	
CONSTRUCTION	Wooden seating frame made of board and solid wood, fully upholstered. Cold-foam padding, fully upholstered. Ø30 mm straight metal legs, made of powder-coated steel tube. Horizontal powder-coated steel-tube foot support Ø20mm.	
DIMENSIONS	Height: 980-980 mm Depth: 580 mm Sit depth: 450 mm	Width: 1160 mm Seat height: 630 mm
WEIGHT	29.9 kg	
TESTED	EN 16139, EN 1728	
WARRANTY	5 years	

Mingle Bar

TABLE



MODEL	Flexible table
WEIGHT	5.9 kg
TESTED	EN 16139, EN 1728
WARRANTY	5 years