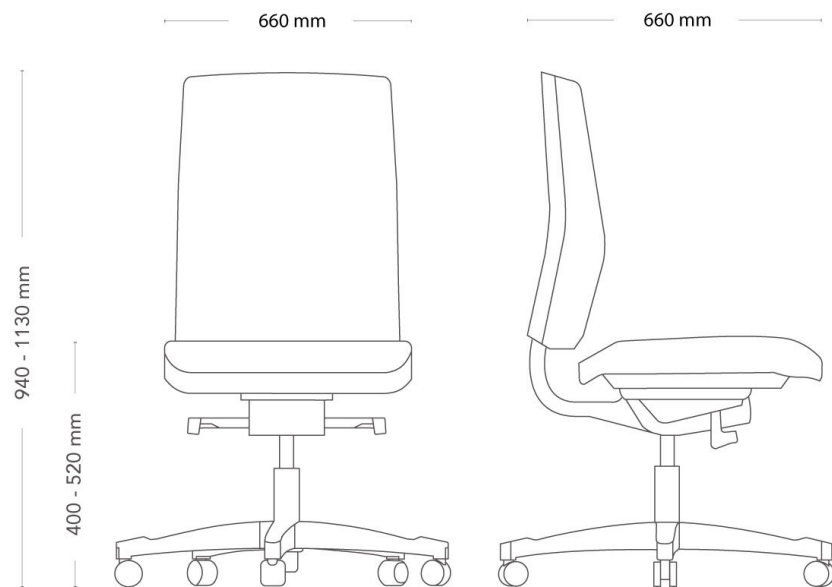


# One

ONE INC, UPHOLSTERED BACK 50

One is a sizeable family of aesthetically pleasing task chairs designed with simplicity and flexibility in mind. Easy to use, easy to like and flexible enough to suit all. One is equipped with a self-balanced seat and the back automatically adjusts to the user, which is perfect for the modern office when many share the same chair. One is logic and user friendly.

Model One "inc" with easy adjustments, suitable for multiple users.



MODEL	Office chair with easy adjustments	
VARIANTS	– Mesh back – Upholstered back 40	– Armrests
ACCESSORIES	– Neckrest – Polished swivel base – Options for castors – Gliders	
DETAILS	– Seat and back follow each other in a 4:1 ratio. Automatic adjustment of the swing resistance adapted for people from 50 kg to 120 kg. The back can be locked in an upright position. Two armrest variants, one fixed and one adjustable. Braked castors for hard floors as standard. Adjustable lumbar support is available as an option for mesh back.	
CONSTRUCTION	Back with plastic frame and plastic J-bar. Seat frame made of plywood with cold foam padding. Mechanism in recycled aluminium. Height-adjustable steel pillar. 5-star swivel made of recycled aluminum or plastic with castors, diameter 50 mm. Armrests made of molded plastic.	
DIMENSIONS	Height: 940-1130 mm Seat height (with load)*: 400-520 mm	Width: 660 mm Sit depth: 420 mm
	*Seat height with load acc. to EN 1335-1:2020	

---

WEIGHT	8.0 kg
--------	--------

---

TESTED	EN 1335-1, EN 1335-2:2018
--------	---------------------------

---

WARRANTY	5 years
----------	---------

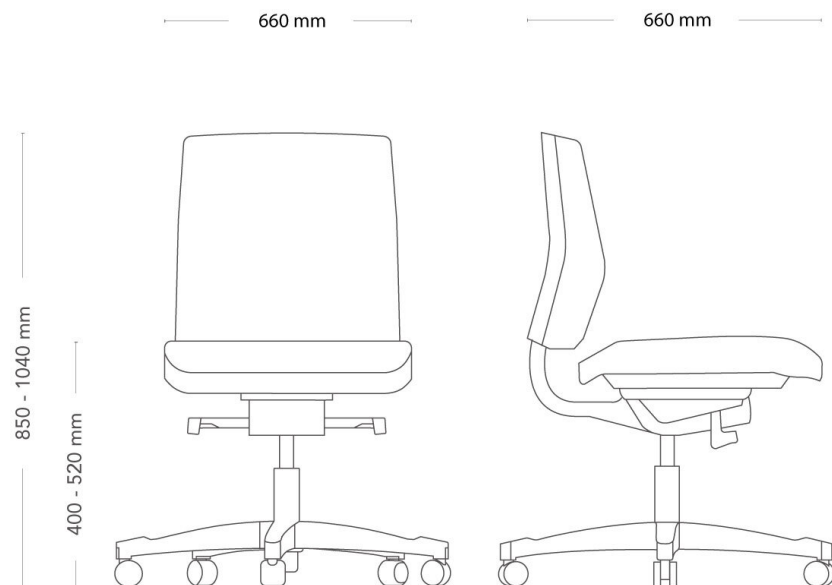
---

# One

ONE INC, UPHOLSTERED BACK 40

One is a sizeable family of aesthetically pleasing task chairs designed with simplicity and flexibility in mind. Easy to use, easy to like and flexible enough to suit all. One is equipped with a self-balanced seat and the back automatically adjusts to the user, which is perfect for the modern office when many share the same chair. One is logic and user friendly.

Model One "inc" with easy adjustments, suitable for multiple users.



## MODEL

Office chair with easy adjustments

## VARIANTS

- Mesh back
- Upholstered back 50
- Armrests

## ACCESSORIES

- Neckrest
- Polished swivel base
- Options for castors
- Gliders

## DETAILS

- Seat and back follow each other in a 4:1 ratio. Automatic adjustment of the swing resistance adapted for people from 50 kg to 120 kg. The back can be locked in an upright position. Two armrest variants, one fixed and one adjustable. Braked castors for hard floors as standard. Adjustable lumbar support is available as an option for mesh back.

## CONSTRUCTION

Back with plastic frame and plastic J-bar. Seat frame made of plywood with cold foam padding. Mechanism in recycled aluminium. Height-adjustable steel pillar. 5-star swivel made of recycled aluminum or plastic with castors, diameter 50 mm. Armrests made of molded plastic.

---

**DIMENSIONS**

Height: 850-1040 mm	Width: 660 mm
Depth: 660 mm	Seat height (with load)*: 400-520 mm
Seat depth: 450 mm	Seat width: 475 mm
Sit depth: 420 mm	Backrest W: 445 mm
Backrest H: 410 mm	Base diameter: 710 mm

\*Seat height with load acc. to EN 1335-1:2020

---

**WEIGHT**

8.0 kg

---

**TESTED**

EN 1335-1, EN 1335-2:2018

---

**WARRANTY**

5 years

---

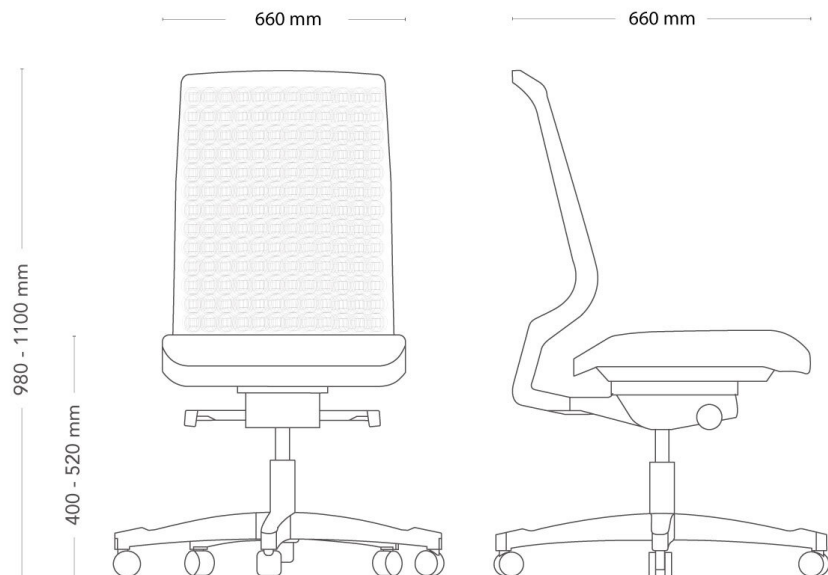
# One

ONE INC, MESH BACK

One is a sizeable family of aesthetically pleasing task chairs designed with simplicity and flexibility in mind. Easy to use, easy to like and flexible enough to suit all. One is equipped with a self-balanced seat and the back automatically adjusts to the user, which is perfect for the modern office when many share the same chair. One is logic and user friendly.

Model One "inc" with easy adjustments, suitable for multiple users.

Model One "Inc" with simplified adjustment, appropriate for multiple users



## MODEL

Office chair with easy adjustments

## VARIANTS

- Mesh back
- Upholstered back 40
- With armrests
- Upholstered back 50
- No armrests

## ACCESSORIES

- Neckrest
- Polished swivel base
- Options for castors
- Gliders

## DETAILS

- Seat and back follow each other in a 4:1 ratio. Automatic adjustment of the swing resistance adapted for people from 50 kg to 120 kg. The back can be locked in an upright position. Two armrest variants, one fixed and one adjustable. Braked castors for hard floors as standard. Adjustable lumbar support is available as an option for mesh back.

## CONSTRUCTION

Back with plastic frame and plastic J-bar. Seat frame made of plywood with cold foam padding. Mechanism in recycled aluminium. Height-adjustable steel pillar. 5-star swivel made of recycled aluminum or plastic with castors, diameter 50 mm. Armrests made of molded plastic.

---

DIMENSIONS	Height: 980-1100 mm	Width: 660 mm
	Depth: 660 mm Seat	Seat height (with load): 400-520 mm
	depth: 440 mm Sit	Seat width: 475 mm
	depth: 440 mm	Backrest W: 455 mm
	Backrest H: 550 mm	Base diameter: 710 mm
	*Seat height with load acc. to EN 1335-1:2020	

---

WEIGHT	8.0 kg
--------	--------

---

TESTED	EN 1335-1, EN 1335-2:2018
--------	---------------------------

---

WARRANTY	5 years
----------	---------

---