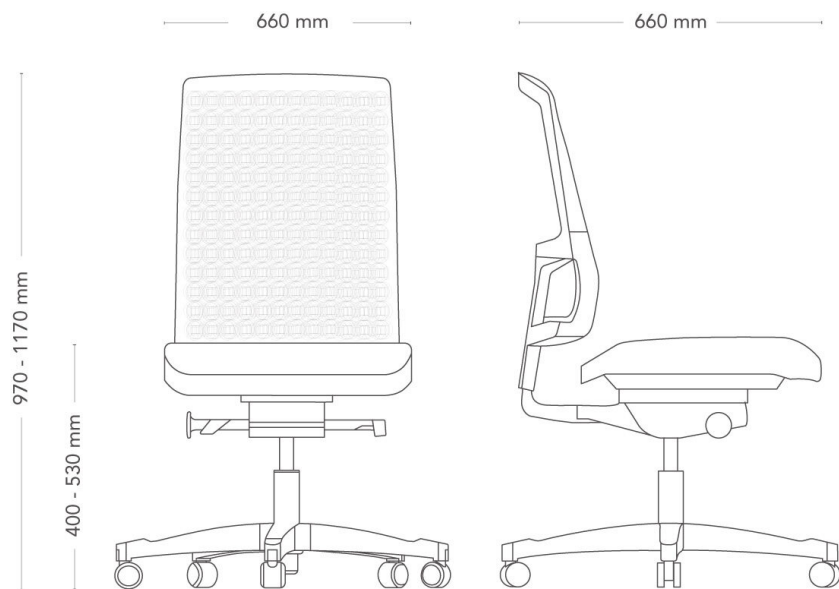


One

ONE SYNC, MESH BACK

One is a sizeable family of aesthetically pleasing task chairs designed with simplicity and flexibility in mind. Easy to use, easy to like and flexible enough to suit all. One is equipped with a self-balanced seat and the back automatically adjusts to the user, which is perfect for the modern office when many share the same chair. One is logic and user friendly.

Model One "Sync" with individual adjustments



MODEL

Office chair with individual adjustments

VARIANTS

- Mesh back
- Upholstered back 40
- With armrests
- Upholstered back 50
- No armrests

ACCESSORIES

- Headrest
- Polished swivel base
- Options for castors
- Gliders

DETAILS

– Seat and back follow each other in a synchronous ratio of 2.7:1. Adjustable back height. Individual adjustment of the swing resistance adapted for people from 45 kg up to 120 kg. The mechanism can be locked in four positions. Sliding seat with seat depth adjustment. Two armrest variants, one adjustable and one multifunctional. Unbraked wheels for hard floors as standard.

CONSTRUCTION

Back with plastic frame and plastic J-bar. Seat frame made of plywood with cold foam padding. Mechanism in recycled aluminium. Height-adjustable steel pillar. 5-star swivel made of recycled aluminum or plastic with castors, diameter 50 mm. Armrests made of molded plastic.

DIMENSIONS

Height: 970-1170 mm

Width: 660 mm

Depth: 660 mm

Seat height (with load)*: 400-530 mm

Seat depth: 455 mm

Seat width: 475 mm

Sit depth: 400-455 mm

Backrest W: 455 mm

Backrest H: 530 mm

Base diameter: 710 mm

*Seat height with load acc. to EN 1335-1:2020

WEIGHT

15.0 kg

TESTED

EN 1335-1, EN 1335-2:2018

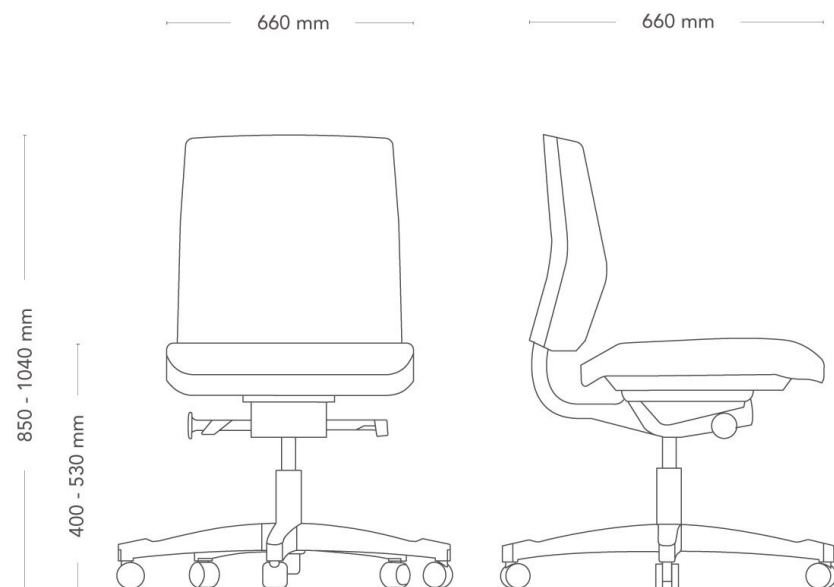
WARRANTY5 years

One

ONE SYNC, UPHOLSTERED BACK 40

One is a sizeable family of aesthetically pleasing task chairs designed with simplicity and flexibility in mind. Easy to use, easy to like and flexible enough to suit all. One is equipped with a self-balanced seat and the back automatically adjusts to the user, which is perfect for the modern office when many share the same chair. One is logic and user friendly.

Model One "Sync" with individual adjustments



MODEL

Office chair with individual adjustments

VARIANTS

- Mesh back
- Upholstered back 40
- With armrests
- Upholstered back 50
- No armrests

ACCESSORIES

- Headrest
- Polished swivel base
- Options for castors
- Gliders

DETAILS

- Seat and back follow each other in a synchronous ratio of 2.7:1. Adjustable back height. Individual adjustment of the swing resistance adapted for people from 45 kg up to 120 kg. The mechanism can be locked in four positions. Sliding seat with seat depth adjustment. Two armrest variants, one adjustable and one multifunctional. Unbraked wheels for hard floors as standard.

CONSTRUCTION

Back with plastic frame and plastic J-bar. Seat frame made of plywood with cold foam padding. Mechanism in recycled aluminium. Height-adjustable steel pillar. 5-star swivel made of recycled aluminum or plastic with castors, diameter 50 mm. Armrests made of molded plastic.

DIMENSIONS	Height: 850-1040 mm	Width: 660 mm
	Depth: 660 mm	Seat height (with load)*: 400-530 mm
	Seat depth: 450 mm	Seat width: 475 mm
	Sit depth: 390-445 mm	Backrest W: 445 mm
	Backrest H: 410 mm	Base diameter: 710 mm

*Seat height with load acc. to EN 1335-1:2020

WEIGHT	13.0 kg
--------	---------

TESTED	EN 1335-1, EN 1335-2:2018
--------	---------------------------

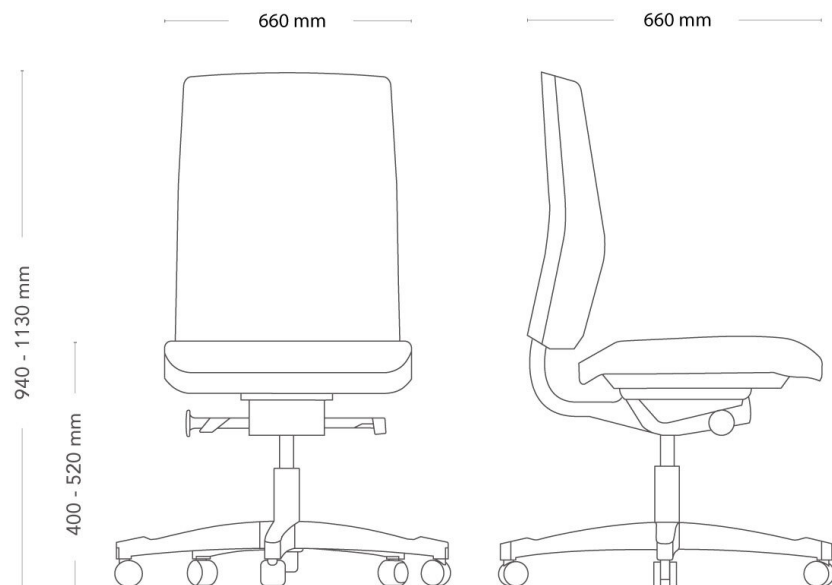
WARRANTY	5 years
----------	---------

One

ONE SYNC, UPHOLSTERED BACK 50

One is a sizeable family of aesthetically pleasing task chairs designed with simplicity and flexibility in mind. Easy to use, easy to like and flexible enough to suit all. One is equipped with a self-balanced seat and the back automatically adjusts to the user, which is perfect for the modern office when many share the same chair. One is logic and user friendly.

Model One "Sync" with individual adjustments



MODEL

Office chair with individual adjustments

VARIANTS

- Mesh back
- Upholstered back 40
- With armrests
- Upholstered back 50
- No armrests

ACCESSORIES

- Headrest
- Polished swivel base
- Options for castors
- Gliders

DETAILS

– Seat and back follow each other in a synchronous ratio of 2.7:1. Adjustable back height. Individual adjustment of the swing resistance adapted for people from 45 kg up to 120 kg. The mechanism can be locked in four positions. Sliding seat with seat depth adjustment. Two armrest variants, one adjustable and one multifunctional. Unbraked wheels for hard floors as standard.

CONSTRUCTION

Back with plastic frame and plastic J-bar. Seat frame made of plywood with cold foam padding. Mechanism in recycled aluminium. Height-adjustable steel pillar. 5-star swivel made of recycled aluminum or plastic with castors, diameter 50 mm. Armrests made of molded plastic.

DIMENSIONS

Height: 940-1140 mm

Width: 660 mm

Depth: 660 mm

Seat height (with load)*: 400-530 mm

Seat depth: 450 mm

Seat width: 475 mm

Backrest W: 445 mm

Backrest H: 500 mm

Base diameter: 710 mm

*Seat height with load acc. to EN 1335-1:2020

WEIGHT

14.0 kg

TESTED

EN 1335-1, EN 1335-2:2018

WARRANTY5 years
