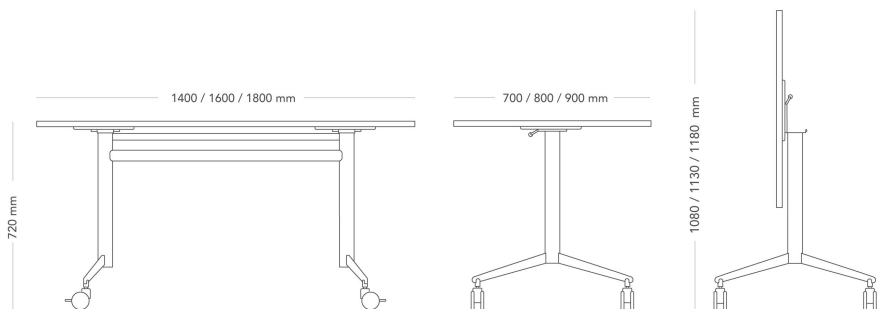


HideAway

PILLAR TABLE WITH TILTABLE TOP, TWO LEGS

HideAway is a family of flexible meeting and work tables with either a tiltable or foldable top. HideAway is suitable for both large conference rooms and small meeting rooms, as well as in schools and other learning environments. With HideAway, the surfaces can be used to the maximum without compromising on layout or design.



MODEL	Pillar table with tiltable top, two legs
DETAILS	<ul style="list-style-type: none"> – Rectangular tops, widths 1400-1800 mm – * Tiltable top * Castors * The top is folded down with the control / carrying handle
CONSTRUCTION	Two round pillar legs in steel with control and carrying handles in zinc. Feet with wheels. 22 mm table top with core of chipboard and straight edge, coated with veneer, laminate, HPL or linoleum.
DIMENSIONS	<p>Height: 720 mm</p> <p>Length: 1400/1600/1800 mm</p> <p>Width: 700/800/900 mm</p>
WEIGHT	36.7 kg
TESTED	EN15372:2016 Level 2
GUARANTEE	Five (5) years