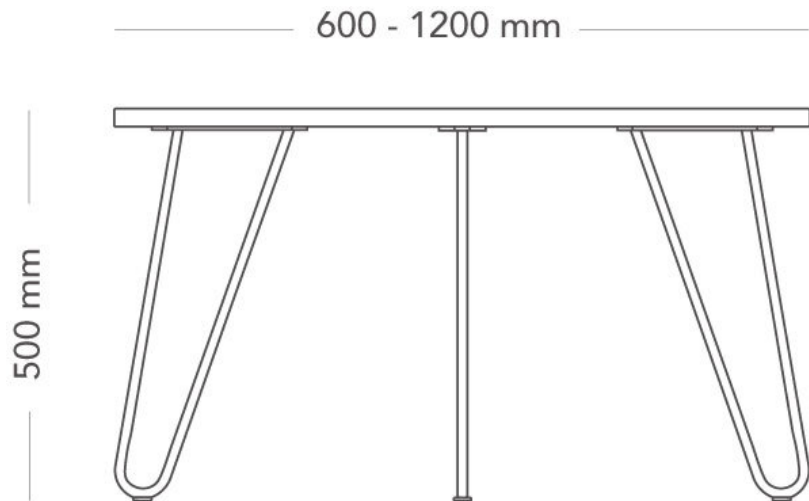


Mongezi

TABLE

Mongezi is a wide range of lounge tables with a metal wire frame in retro design. A perfect supplement to the lounge sofa for small talk and informal meetings. Mongezi has tops with straight or beveled edges.



MODEL	Lounge table	
CONSTRUCTION	Legs of solid-steel 12 mm wire, with plastic gliders. Table top with beveled edge has a 22 mm MDF core. Tabletop with a straight edge has a 22 mm core in wood fiber material. Surface coating is 0.2-2 mm depending on material choice.	
DIMENSIONS	Height: 500 mm Width: 620 - 1200 mm	Length: 600 - 1200 mm Ø: 700 - 900 mm
WEIGHT	15 - 20 kg	
TESTED	EN 15372:2016: EN1730:2012	
GUARANTEE	5 years	