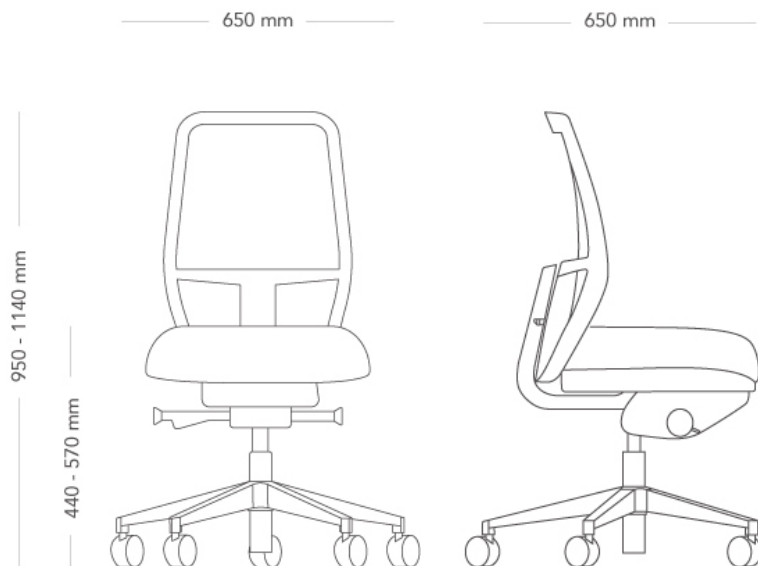


Savo Soul

MESH BACK 50 (SOFT SEAT)

Savo Soul is an ergonomic office chair, without being complex, so that it can interact with the body in perfect harmony. It is a chair for everyone, it is easy to use, immediately adapts itself to the user and has an intuitive design. The chair can be fine-tuned as needed, so that you can sit well all day long. The backrest and seat are synchronized for an extra smooth feeling and the automatic adjustment of the back resistance means that you can safely lean back with comfortable support. The seat and backrest can be tilted independently in several angles. The Flexi Back® function follows the body's movements automatically, even sideways, which keeps the back upright providing optimal support in all positions.



MODEL	Soul workchair	
VARIANTS	<ul style="list-style-type: none"> – Back 40 – Back 60 – Seat Small – Seat Soft 	<ul style="list-style-type: none"> – Back 50 – Mesh back – Seat Medium
ACCESSORIES	<ul style="list-style-type: none"> – Neckrest – Armrests – Options for castors 	
CONSTRUCTION	<p>Mesh back with frame and J-bar made of recycled plastic. Upholstered back with frame made of recycled plastic and cold foam, covered with fabric. Seat frame made of plywood with cold foam padding. Mechanism in recycled aluminium. Height-adjustable steel pillar. 5-star swivel base made of cast recycled aluminum, or recycled plastic, with castors diameter 60 mm. Armrests (optional) made of injection-molded recycled plastic and die-cast recycled aluminum. Headrest (optional) with recycled plastic frame with cold foam padding.</p>	
DIMENSIONS	<p>Height: 950-1140 mm</p> <p>Depth: 650 mm</p> <p>Seat depth: 460 mm</p> <p>Sit depth: 390-490 mm</p> <p>Backrest H: 590 mm</p>	<p>Width: 650 mm</p> <p>Seat height (with load)*: 440-570 mm</p> <p>Seat width: 450 mm</p> <p>Backrest W: 420 mm</p> <p>Base diameter: 710 mm</p> <p>* Seat height with load acc. to EN 1335-1:2020</p>

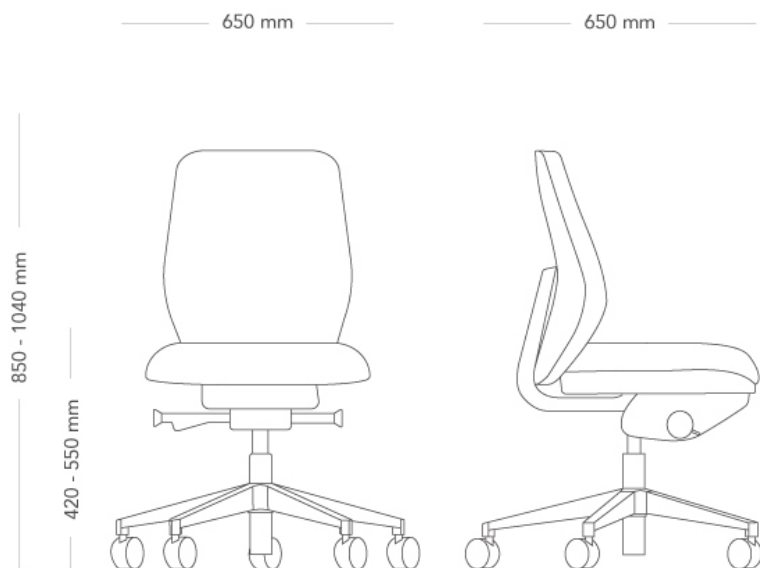
TESTED EN1335- 1, -2:2018, EN1728

WARRANTY 10 years

Savo Soul

40 BACK (SMALL SEAT)

Savo Soul is an ergonomic office chair, without being complex, so that it can interact with the body in perfect harmony. It is a chair for everyone, it is easy to use, immediately adapts itself to the user and has an intuitive design. The chair can be fine-tuned as needed, so that you can sit well all day long. The backrest and seat are synchronized for an extra smooth feeling and the automatic adjustment of the back resistance means that you can safely lean back with comfortable support. The seat and backrest can be tilted independently in several angles. The Flexi Back® function follows the body's movements automatically, even sideways, which keeps the back upright providing optimal support in all positions.



MODEL	Soul workchair	
VARIANTS	<ul style="list-style-type: none"> – Back 40 – Back 60 – Seat Small – Seat Soft 	<ul style="list-style-type: none"> – Back 50 – Mesh back – Seat Medium
ACCESSORIES	<ul style="list-style-type: none"> – Neckrest – Armrests – Options for castors 	
CONSTRUCTION	<p>Mesh back with frame and J-bar made of recycled plastic. Upholstered back with frame made of recycled plastic and cold foam, covered with fabric. Seat frame made of plywood with cold foam padding. Mechanism in recycled aluminium. Height-adjustable steel pillar. 5-star swivel base made of cast recycled aluminum, or recycled plastic, with castors diameter 60 mm. Armrests (optional) made of injection-molded recycled plastic and die-cast recycled aluminum. Headrest (optional) with recycled plastic frame with cold foam padding.</p>	
DIMENSIONS	<p>Height: 850-1040 mm</p> <p>Depth: 650 mm</p> <p>Seat depth: 450 mm</p> <p>Sit depth: 380-480 mm</p> <p>Backrest H: 480 mm</p>	<p>Width: 650 mm</p> <p>Seat height (with load)*: 420-550 mm</p> <p>Seat width: 450 mm</p> <p>Backrest W: 400 mm</p> <p>Base diameter: 710 mm</p>
	* Seat height with load acc. to EN 1335-1:2020	

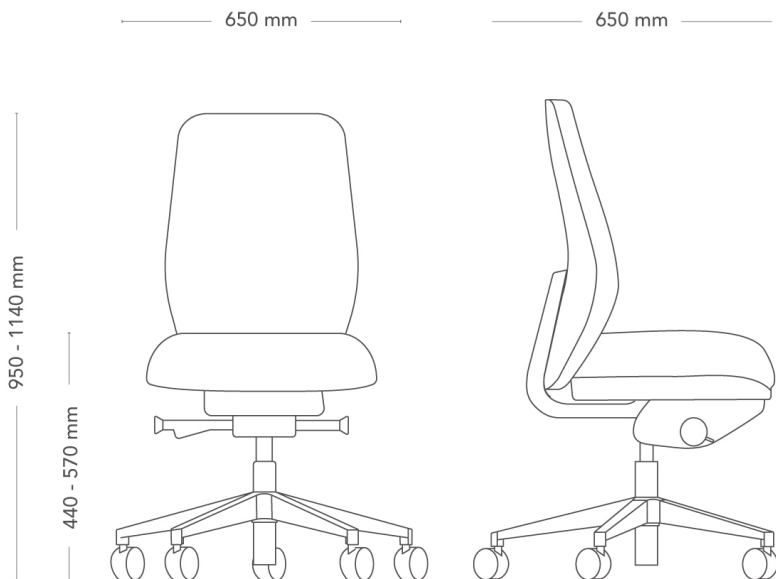
TESTED EN1335- 1, -2:2018, EN1728

WARRANTY 10 years

Savo Soul

50 BACK (SOFT SEAT)

Savo Soul is an ergonomic office chair, without being complex, so that it can interact with the body in perfect harmony. It is a chair for everyone, it is easy to use, immediately adapts itself to the user and has an intuitive design. The chair can be fine-tuned as needed, so that you can sit well all day long. The backrest and seat are synchronized for an extra smooth feeling and the automatic adjustment of the back resistance means that you can safely lean back with comfortable support. The seat and backrest can be tilted independently in several angles. The Flexi Back® function follows the body's movements automatically, even sideways, which keeps the back upright providing optimal support in all positions.



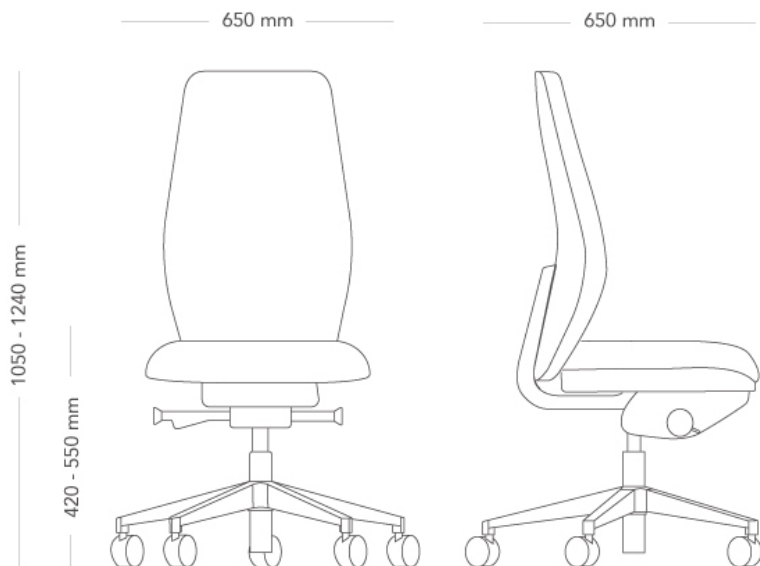
MODEL	Soul workchair	
VARIANTS	<ul style="list-style-type: none"> – Back 40 – Back 60 – Seat Small – Seat Soft 	<ul style="list-style-type: none"> – Back 50 – Mesh back – Seat Medium
ACCESSORIES	<ul style="list-style-type: none"> – Neckrest – Armrests – Options for castors 	
CONSTRUCTION	<p>Mesh back with frame and J-bar made of recycled plastic. Upholstered back with frame made of recycled plastic and cold foam, covered with fabric. Seat frame made of plywood with cold foam padding. Mechanism in recycled aluminium. Height-adjustable steel pillar. 5-star swivel base made of cast recycled aluminum, or recycled plastic, with castors diameter 60 mm. Armrests (optional) made of injection-molded recycled plastic and die-cast recycled aluminum. Headrest (optional) with recycled plastic frame with cold foam padding.</p>	
DIMENSIONS	<ul style="list-style-type: none"> Height: 950-1140 mm Depth: 650 mm Seat depth: 490 mm Sit depth: 380-480 mm Backrest W: 420 mm Base diameter: 710 mm 	<ul style="list-style-type: none"> Width: 650 mm Seat height (with load)*: 440-570 mm Seat width: 475 mm Backrest H: 590 mm
	* Seat height with load acc. to EN 1335-1:2020	

WEIGHT	15.7 kg
TESTED	EN1335- 1, -2:2018, EN1728
WARRANTY	10 years

Savo Soul

60 BACK (MEDIUM SEAT)

Savo Soul is an ergonomic office chair, without being complex, so that it can interact with the body in perfect harmony. It is a chair for everyone, it is easy to use, immediately adapts itself to the user and has an intuitive design. The chair can be fine-tuned as needed, so that you can sit well all day long. The backrest and seat are synchronized for an extra smooth feeling and the automatic adjustment of the back resistance means that you can safely lean back with comfortable support. The seat and backrest can be tilted independently in several angles. The Flexi Back® function follows the body's movements automatically, even sideways, which keeps the back upright providing optimal support in all positions.



MODEL	Soul workchair	
VARIANTS	<ul style="list-style-type: none"> – Back 40 – Back 60 – Seat Small – Seat Soft 	<ul style="list-style-type: none"> – Back 50 – Mesh back – Seat Medium
ACCESSORIES	<ul style="list-style-type: none"> – Neckrest – Armrests – Options for castors 	
CONSTRUCTION	<p>Mesh back with frame and J-bar made of recycled plastic. Upholstered back with frame made of recycled plastic and cold foam, covered with fabric. Seat frame made of plywood with cold foam padding. Mechanism in recycled aluminium. Height-adjustable steel pillar. 5-star swivel base made of cast recycled aluminum, or recycled plastic, with castors diameter 60 mm. Armrests (optional) made of injection-molded recycled plastic and die-cast recycled aluminum. Headrest (optional) with recycled plastic frame with cold foam padding.</p>	
DIMENSIONS	<p>Height: 1050-1240 mm</p> <p>Depth: 650 mm</p> <p>Seat depth: 490 mm</p> <p>Sit depth: 380-480 mm</p> <p>Backrest H: 670 mm</p>	<p>Width: 650 mm</p> <p>Seat height (with load)*: 420-550 mm</p> <p>Seat width: 450 mm</p> <p>Backrest W: 420 mm</p> <p>Base diameter: 710 mm</p> <p>* Seat height with load acc. to EN 1335-1:2020</p>

TESTED EN1335- 1, -2:2018, EN1728

WARRANTY 10 years
