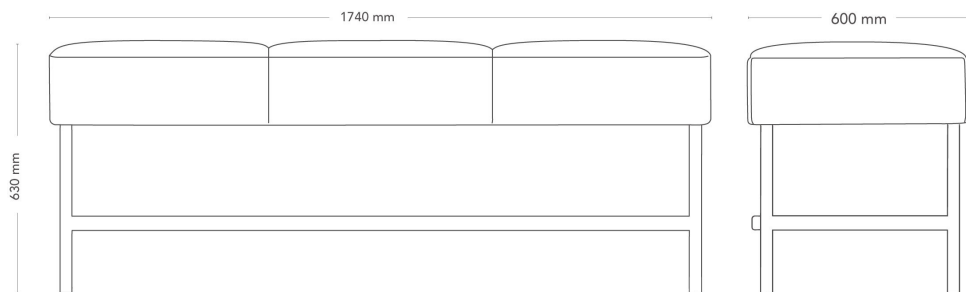


# Mingle Bar

## BENCH, 3-SEATER

Mingle Bar with extra high seat height complements the Mingle family for furnishings in dining rooms, cafes, restaurants or offices. Like other members of the Mingle family, Mingle Bar variant is easy to vary and comes with or without armrests, or as a bench.

Bench is available with one, two or three seats. For two- and three-seater, there is an optional flexible table / tablet.



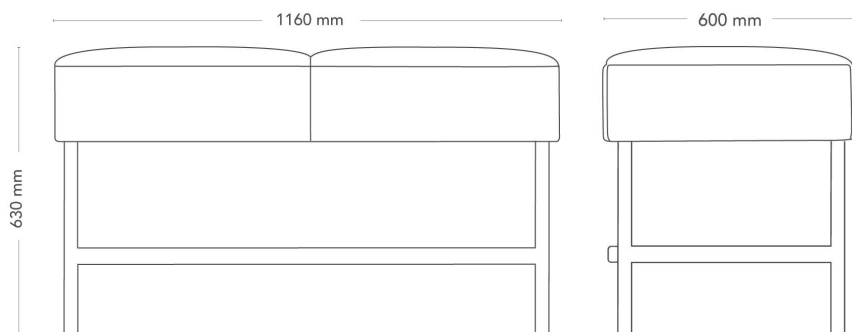
MODEL	Bench	
ACCESSORIES	<ul style="list-style-type: none"> <li>– Power and cable management</li> <li>– Flexible table</li> </ul>	
DETAILS	– Upholstered in one or two colours of fabric. Suitable for table heights <900 mm.	
CONSTRUCTION	Wooden seating frame made of board and solid wood, fully upholstered. Cold-foam padding, fully upholstered. Ø30 mm straight metal legs, made of powder-coated steel tube. Horizontal powder-coated steel-tube foot support Ø20mm.	
DIMENSIONS	Height: 630 mm Depth: 580 mm	Width: 1740 mm Seat height: 630 mm
WEIGHT	31.2 kg	
TESTED	EN 16139, EN 1728	
WARRANTY	5 years	

# Mingle Bar

## BENCH, 2-SEATER

Mingle Bar with extra high seat height complements the Mingle family for furnishings in dining rooms, cafes, restaurants or offices. Like other members of the Mingle family, Mingle Bar variant is easy to vary and comes with or without armrests, or as a bench.

Bench is available with one, two or three seats. For two- and three-seater, there is an optional flexible table / tablet.



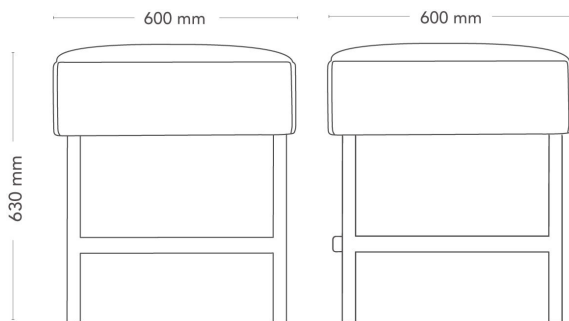
MODEL	Bench	
ACCESSORIES	<ul style="list-style-type: none"> <li>– Power and cable management</li> <li>– Flexible table</li> </ul>	
DETAILS	– Upholstered in one or two colours of fabric. Suitable for table heights <900 mm.	
CONSTRUCTION	Wooden seating frame made of board and solid wood, fully upholstered. Cold-foam padding, fully upholstered. Ø30 mm straight metal legs, made of powder-coated steel tube. Horizontal powder-coated steel-tube foot support Ø20mm.	
DIMENSIONS	Height: 630 mm Depth: 580 mm	Width: 1160 mm Seat height: 630 mm
WEIGHT	22.2 kg	
TESTED	EN 16139, EN 1728	
WARRANTY	5 years	

# Mingle Bar

## BENCH, 1-SEATER

Mingle Bar with extra high seat height complements the Mingle family for furnishings in dining rooms, cafes, restaurants or offices. Like other members of the Mingle family, Mingle Bar variant is easy to vary and comes with or without armrests, or as a bench.

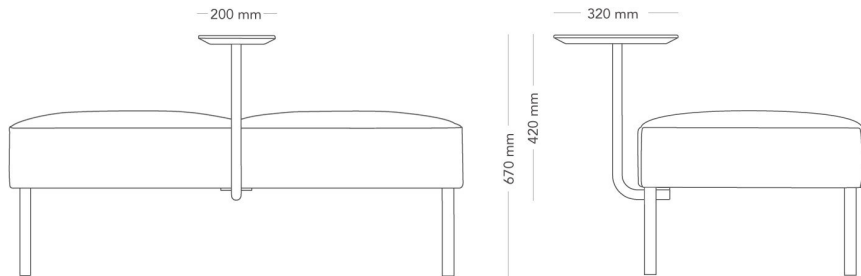
Bench is available with one, two or three seats. For two- and three-seater, there is an optional flexible table / tablet.



MODEL	Bench	
ACCESSORIES	<ul style="list-style-type: none"> <li>– Power and cable management</li> <li>– Flexible table</li> </ul>	
DETAILS	– Upholstered in one or two colours of fabric. Suitable for table heights <900 mm.	
CONSTRUCTION	Wooden seating frame made of board and solid wood, fully upholstered. Cold-foam padding, fully upholstered. Ø30 mm straight metal legs, made of powder-coated steel tube. Horizontal powder-coated steel-tube foot support Ø20mm.	
DIMENSIONS	Height: 630 mm Depth: 580 mm	Width: 580 mm Seat height: 630 mm
WEIGHT	15.2 kg	
TESTED	EN 16139, EN 1728	
WARRANTY	5 years	

# Mingle Bar

TABLE



---

MODEL Flexible table

---

DIMENSIONS Height: 420 mm  
Width: 200 mm  
Depth: 320 mm

---

WEIGHT 5.9 kg

---

TESTED EN 16139, EN 1728

---

WARRANTY 5 years

---