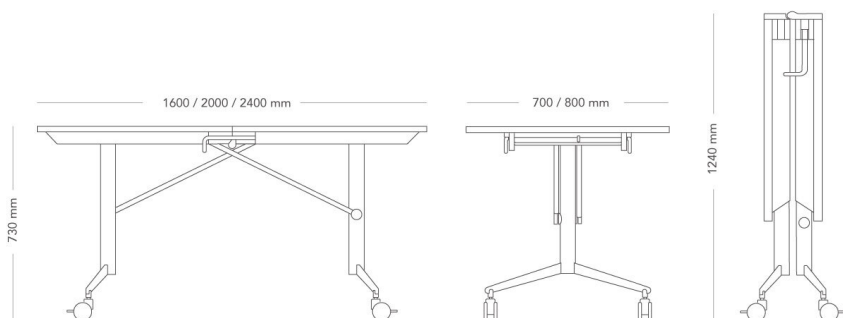


HideAway

TABLE WITH FOLDING TOP

ideAway is a family of flexible meeting and work tables with either a tiltable or folding top. HideAway is suitable for both large conference rooms and small meeting rooms, as well as in schools and other learning environments. With HideAway, the surfaces can be used to the maximum without compromising on layout or design.

HideAway with folding top is a genuine and sturdy table for fixed furnishings, with the additional advantage of the top being foldable in the event that the table needs to be moved away or stored. The top is easily operated with the handle. When the top is folded up, the table takes up minimal space.



| | |
|--------------|--|
| MODEL | Table with folding top |
| DETAILS | – Foldable top. Connectable |
| CONSTRUCTION | Two round pillar legs in steel with control and carrying handles in zinc. Feet with wheels. 22 mm table top with core of chipboard and straight edge, coated with veneer, laminate, HPL or linoleum. |
| DIMENSIONS | Height: 730 mm Length: 1600/2000/2400 mm Width: 700/800 mm |
| WEIGHT | 58.8 kg |
| TESTED | EN15372:2016 Level 4 |
| WARRANTY | Five (5) years |