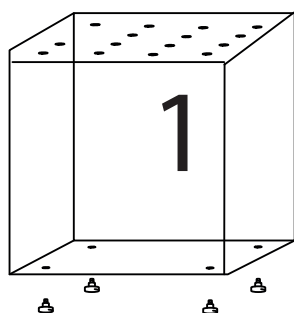


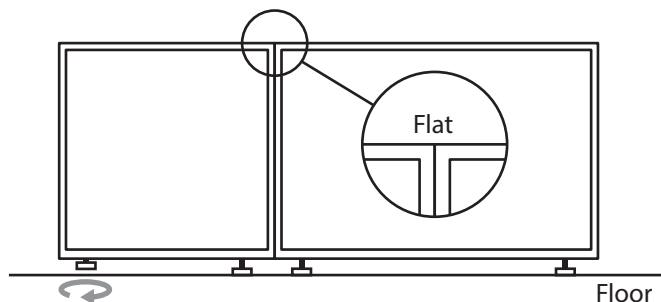
EFG Create

Assembly instructions

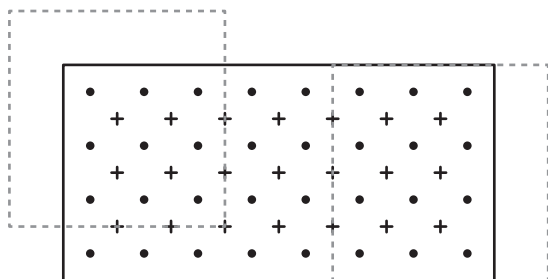


Each module contains four adjustable feet. Mount them on the floor standing modules.

2 Set the adjustable feet so that the first floor modules are levelled.

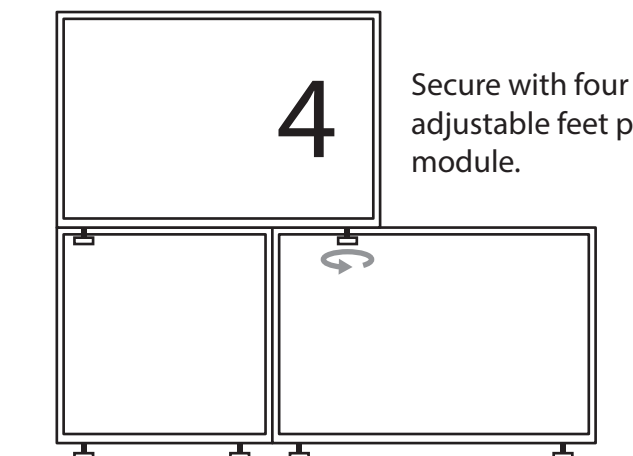


3 When stacking, make sure that the modules are stable and line up against the cross mark on the module beneath.

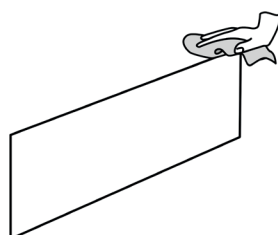


4

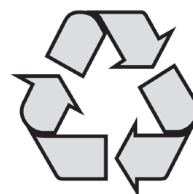
Secure with four adjustable feet per module.



Time to assemble: 1 minute/module



www.efg.info



The product contains one or more of following materials: Wood, metal, plastic.