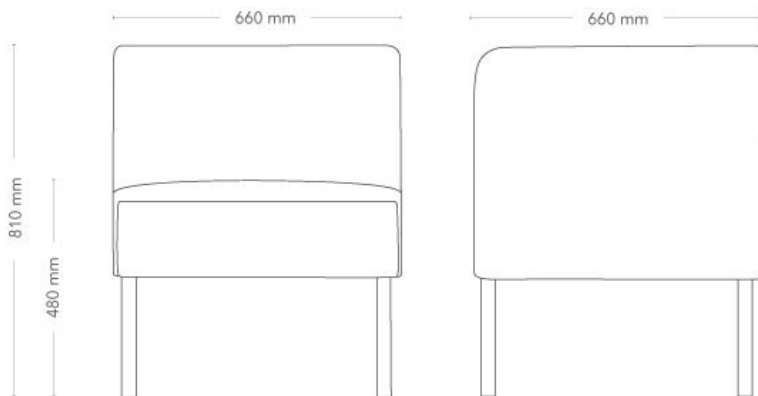


Mingle Lounge

ARMCHAIR

Mingle Lounge is a sofa series with generous dimensions for relaxed seating in the open office, the lounge, restaurant or café. The many options offer a great variety of shapes, sizes and heights. Bench, armchair, and sofa can be built into both open and secluded spaces. Place a two-seater sofa in the reception, or let a creative Mingle combination meander through the office landscape.

Mingle Lounge armchair is available in two back heights, and with or without armrests / high sides. In the high design, the armchair also functions as a more screened seat for one person, ideal for open workplaces.



MODEL	Armchair	
VARIANTS	– Low back – Armrest – Wooden legs	– High back – Metal legs
ACCESSORIES	– Power and cable management	
DETAILS	– Upholstery in one or two colours. – Modular series with either stand-alone or connectable units.	
CONSTRUCTION	Wooden seating frame made of board and solid wood. Cold-foam padding, fully upholstered. $\varnothing > 30$ mm straight metal legs, made of powder-coated steel tube. Round, straight solid-wood legs $\varnothing > 45$ mm.	
DIMENSIONS	Height: 810 mm Depth: 660 mm Sit depth: 540 mm	Width: 660 mm Seat height: 480 mm
WEIGHT	16.3 kg	
TESTED	EN 16139, EN 1728	

WARRANTY

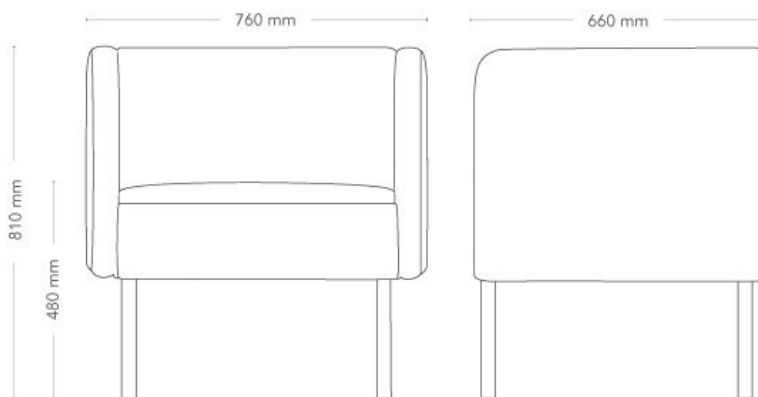
5 years

Mingle Lounge

ARMCHAIR WITH ARMRESTS

Mingle Lounge is a sofa series with generous dimensions for relaxed seating in the open office, the lounge, restaurant or café. The many options offer a great variety of shapes, sizes and heights. Bench, armchair, and sofa can be built into both open and secluded spaces. Place a two-seater sofa in the reception, or let a creative Mingle combination meander through the office landscape.

Mingle Lounge armchair is available in two back heights, and with or without armrests / high sides. In the high design, the armchair also functions as a more screened seat for one person, ideal for open workplaces.



MODEL	Armchair	
VARIANTS	– Low back – Armrest – Wooden legs	– High back – Metal legs
ACCESSORIES	– Power and cable management	
DETAILS	– Upholstery in one or two colours. – Modular series with either stand-alone or connectable units.	
CONSTRUCTION	Wooden seating frame made of board and solid wood. Cold-foam padding, fully upholstered. $\varnothing > 30$ mm straight metal legs, made of powder-coated steel tube. Round, straight solid-wood legs $\varnothing > 45$ mm.	
DIMENSIONS	Height: 810 mm Depth: 660 mm Sit depth: 540 mm	Width: 760 mm Seat height: 480 mm
WEIGHT	31.0 kg	
TESTED	EN 16139, EN 1728	

WARRANTY

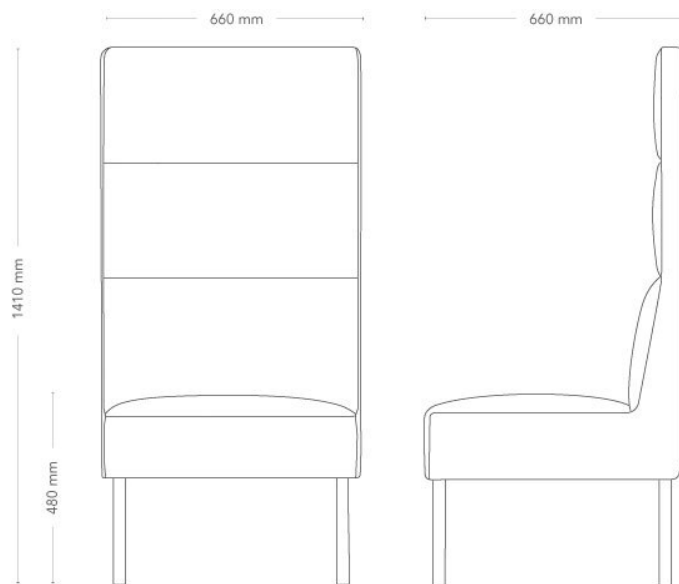
5 years

Mingle Lounge

ARMCHAIR WITH HIGH BACK

Mingle Lounge is a sofa series with generous dimensions for relaxed seating in the open office, the lounge, restaurant or café. The many options offer a great variety of shapes, sizes and heights. Bench, armchair, and sofa can be built into both open and secluded spaces. Place a two-seater sofa in the reception, or let a creative Mingle combination meander through the office landscape.

Mingle Lounge armchair is available in two back heights, and with or without armrests / high sides. In the high design, the armchair also functions as a more screened seat for one person, ideal for open workplaces.



MODEL	Armchair	
VARIANTS	– Low back – Armrest – Wooden legs	– High back – Metal legs
ACCESSORIES	– Power and cable management	
DETAILS	– Upholstery in one or two colours. – Modular series with either stand-alone or connectable units.	
CONSTRUCTION	<p>Wooden seating frame made of board and solid wood. Cold-foam padding, fully upholstered. $\varnothing > 30$ mm straight metal legs, made of powder-coated steel tube. Round, straight solid-wood legs $\varnothing > 45$ mm.</p>	
DIMENSIONS	Height: 1410 mm Depth: 660 mm Sit depth: 540 mm	Width: 660 mm Seat height: 480 mm
WEIGHT	18.6 kg	
TESTED	EN 16139, EN 1728	

WARRANTY

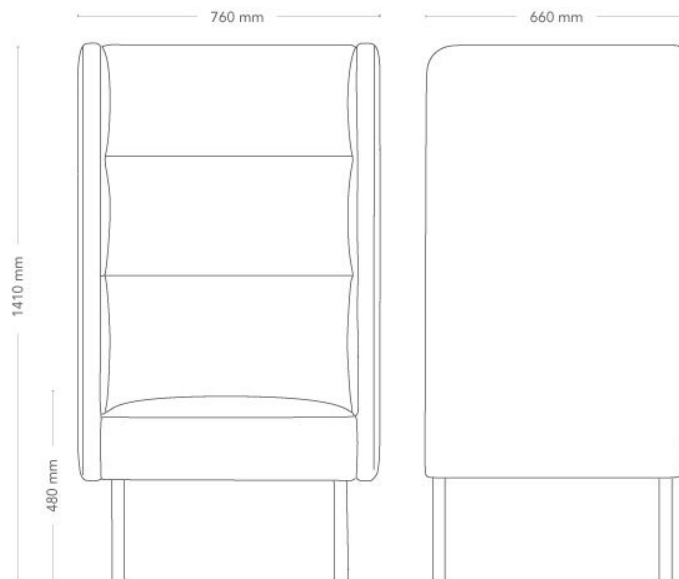
5 years

Mingle Lounge

ARMCHAIR WITH HIGH BACK AND SIDES

Mingle Lounge is a sofa series with generous dimensions for relaxed seating in the open office, the lounge, restaurant or café. The many options offer a great variety of shapes, sizes and heights. Bench, armchair, and sofa can be built into both open and secluded spaces. Place a two-seater sofa in the reception, or let a creative Mingle combination meander through the office landscape.

Mingle Lounge armchair is available in two back heights, and with or without armrests / high sides. In the high design, the armchair also functions as a more screened seat for one person, ideal for open workplaces.



MODEL	Armchair	
VARIANTS	– Low back – Armrest – Wooden legs	– High back – Metal legs
ACCESSORIES	– Power and cable management	
DETAILS	– Upholstery in one or two colours. – Modular series with either stand-alone or connectable units.	
CONSTRUCTION	Wooden seating frame made of board and solid wood. Cold-foam padding, fully upholstered. $\varnothing > 30$ mm straight metal legs, made of powder-coated steel tube. Round, straight solid-wood legs $\varnothing > 45$ mm.	
DIMENSIONS	Height: 1410 mm Depth: 660 mm Sit depth: 540 mm	Width: 760 mm Seat height: 480 mm
WEIGHT	41.4 kg	
TESTED	EN 16139, EN 1728	

WARRANTY

5 years
