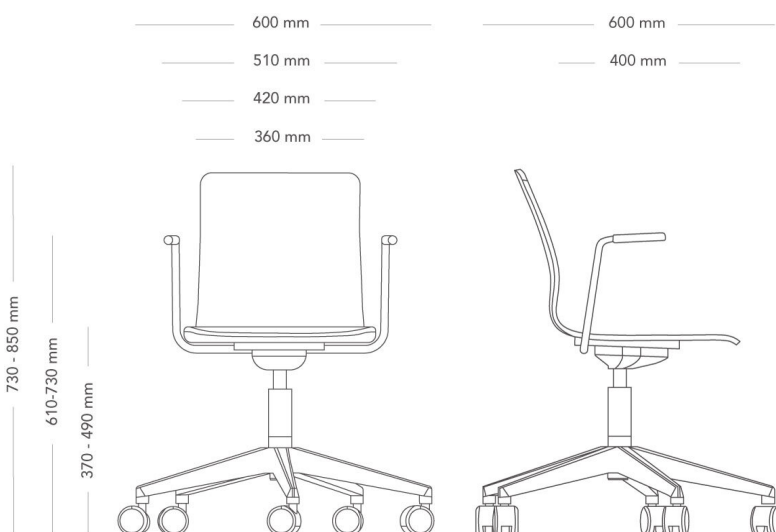


Nova

CHAIR WITH SWIVEL BASE

Nova has a clean and timeless design suitable anywhere in the office where conversation and cooperation are in focus. This series of chairs are flexible and comes in many variations but they all have the same uniform expression. When you choose a chair from the Nova family you are presented with a wide choice of standard colours, materials and seat shells that will help you create a truly personalized work environment.



MODEL	Chair with swivel base	
VARIANTS	<ul style="list-style-type: none"> – Plain seat shell – Fully upholstered – Armrests 	<ul style="list-style-type: none"> – Upholstered seat pad – Without armrests
CONSTRUCTION	Molded-wood seat shell. Upholstered versions with padding of elastic foam (HR foam). 5-star swivel base made of cast recycled aluminum or plastic, height-adjustable steel pillar. Mechanism made of cast recycled aluminum and steel. Plastic and steel castors. Option for armrests made of 19 mm steel tube with black plastic covering.	
DIMENSIONS	<ul style="list-style-type: none"> Height: 730-850 mm Depth: 600 mm Sit depth: 400 mm 	<ul style="list-style-type: none"> Width: 600 mm Seat height: 370-490 mm Total height armrest: 610-730 mm
WEIGHT	6.7 kg	
TESTED	EN 16139, EN 1728, EN 1022	
GUARANTEE	5 years	