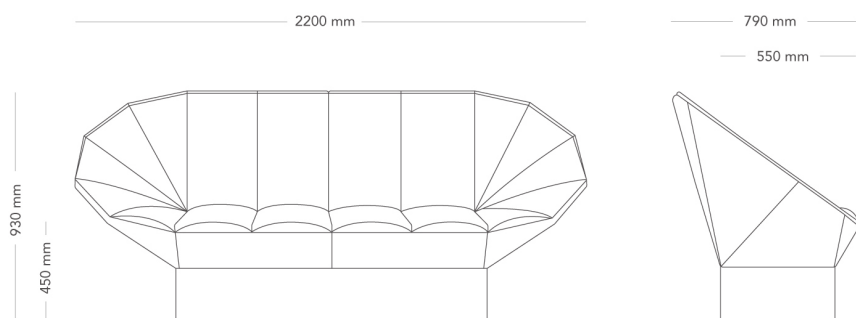


Ori

SOFA, 2-SEATER

Sofa for different types of tasks such as focused work or meetings.



MODEL	2- seater sofa	
ACCESSORIES	<ul style="list-style-type: none"> – Electrical accessories – Table – Adjustable feet – Cushion 	
DETAILS	– Different fabrics can be specified on the plinth and seat. The seating modules can be rebuilt on other plinths into other modules.	
CONSTRUCTION	Frame and plinth consisting of plywood, solid wood, OSB board and MDF. Fixed plastic feet. Steel fittings connecting seat and back. Molded PUR-foam parts. Sewn textile upholstery. Adjustable steel feet with plastic bottom as option. Sofa table as option; lacquered steel frame, table top in MDF with veneered surface, lacquered full-radius beveled edge. Optional cushion, textile case with polyester padding.	
DIMENSIONS	Height: 930 mm Depth: 790 mm Sit depth: 550 mm	Width: 2200 mm Seat height: 450 mm
WEIGHT	72.1 kg	
TESTED	EN 1335 level 1	

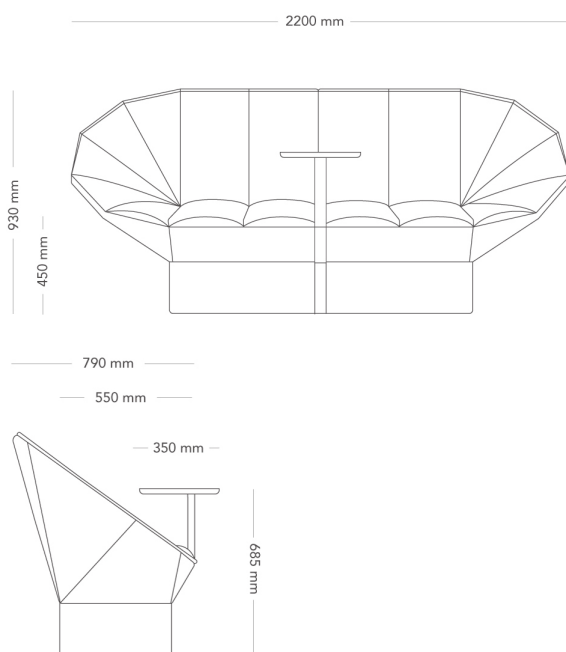
GUARANTEE

5 years

Ori

SOFA, 2-SEATER

Sofa for different types of tasks such as focused work or meetings.



MODEL	2- seater sofa	
ACCESSORIES	<ul style="list-style-type: none"> – Electrical accessories – Table – Adjustable feet – Cushion 	
DETAILS	– Different fabrics can be specified on the plinth and seat. The seating modules can be rebuilt on other plinths into other modules.	
CONSTRUCTION	Frame and plinth consisting of plywood, solid wood, OSB board and MDF. Fixed plastic feet. Steel fittings connecting seat and back. Molded PUR-foam parts. Sewn textile upholstery. Adjustable steel feet with plastic bottom as option. Sofa table as option; lacquered steel frame, table top in MDF with veneered surface, lacquered full-radius beveled edge. Optional cushion, textile case with polyester padding.	
DIMENSIONS	Height: 930 mm Depth: 790 mm Sit depth: 550 mm	Width: 2200 mm Seat height: 450 mm
WEIGHT	72.1 kg	
TESTED	EN 1335 level 1	

GUARANTEE

5 years
