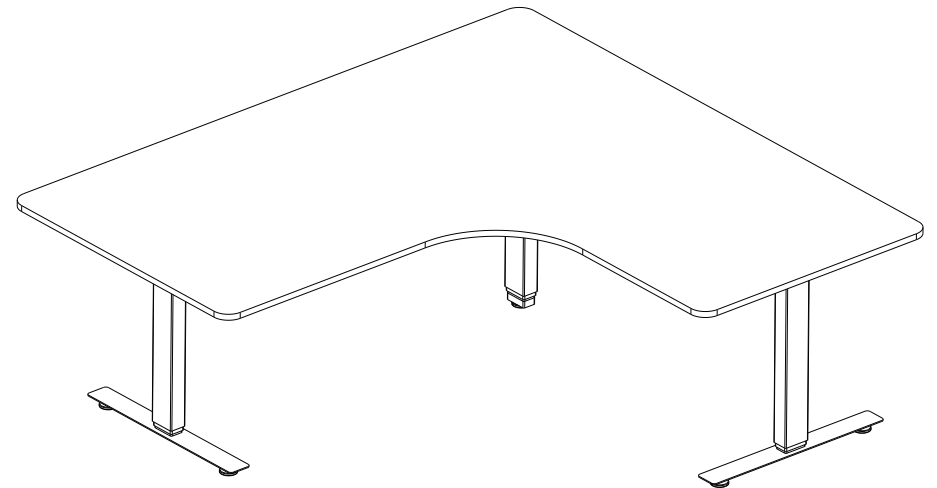

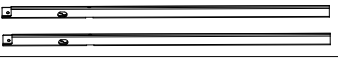



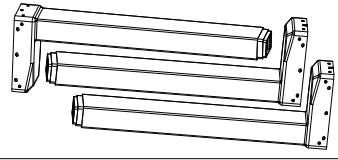

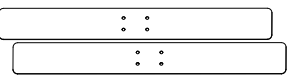
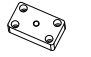






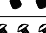


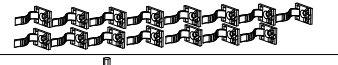



The product contains one or more of following materials:  
 Metal, plastic, wood, fabric, foam.



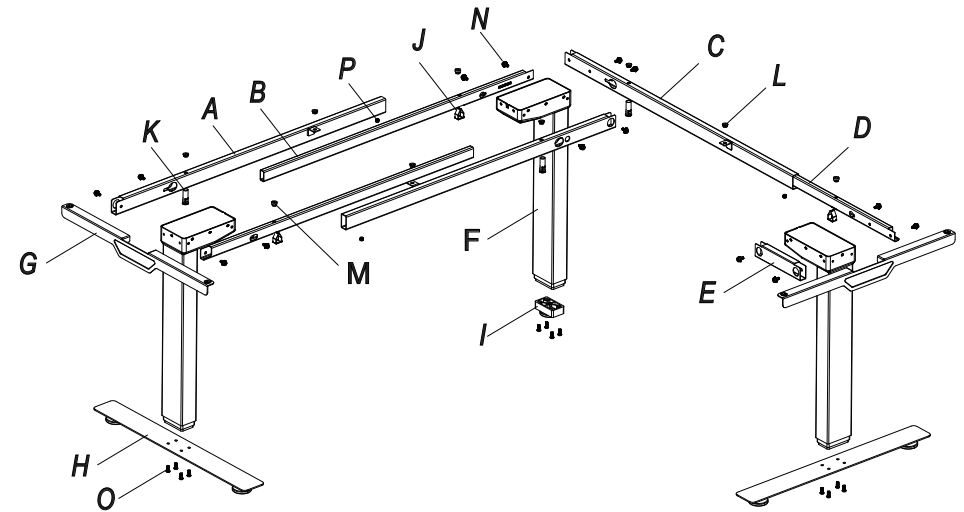
## EFG Izi Pro S

Overview of all parts for the frame (excluding cables, control box and cables).

Code	Picture	Qty	Spec	Spec
A		2	Frame(L)	
B		2	Frame(R)	
C		1	TT Frame(L)	
D		1	TT Frame(R)	
E		1	TT short frame	
F		3	Column	
G		2	Side bracket	
H		2	Foot	
I		1	Corner foot	
J		3		Screw clamp
K		3		Guide clip
L		6	2mm rubber	For frame(L) and TT frame(L)
M		3	5mm rubber	For frame(L) and TT frame(L)
N		14	M6*12	Screws for Columns
O		12	M6*14	Screws for Feet
P		3	M8*8	Screws for Frames
Q		15	ST5*20	Screws for table top and control box
R		2	ST5*16	Screws for handset
S		15		Wire clips
T		1		Tool

## EFG Izi Pro S - Frame assembly (overview)

Position of parts and how to install the frame.



### Initialization procedure

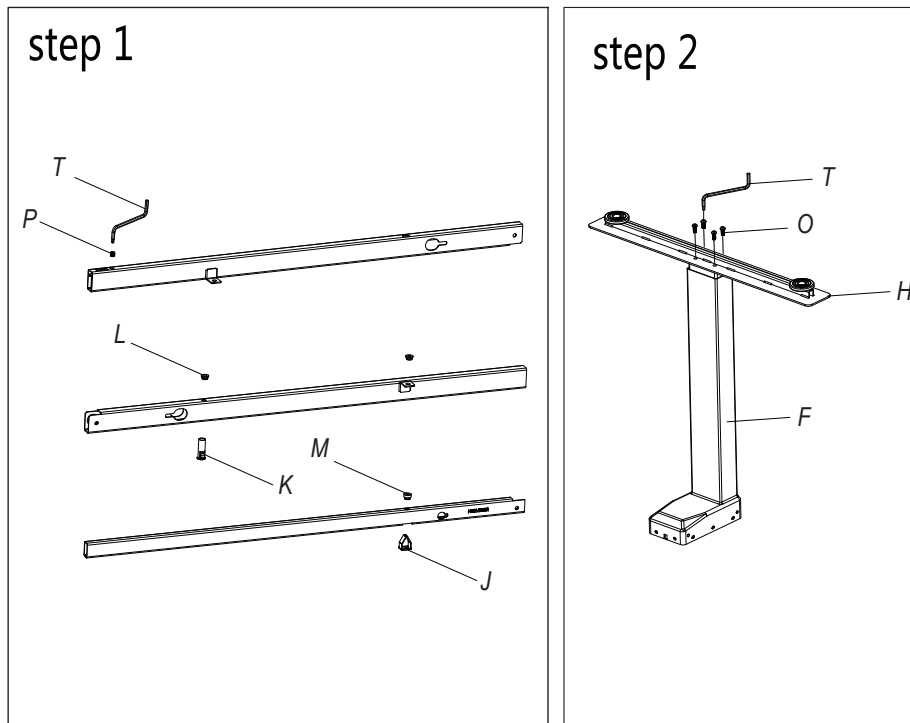
1. Press and hold ↓ 6 sec. Legs begin to move down at half speed
2. Keep pressing ↑ & ↓ Legs move down to the lowest position and rebound 5 mm then stop
3. Ok ! Ready to use

## EFG Izi Pro S - Frame assembly - Step 1 & 2

Step 1 = Frame work preparation:

- 1.First step use the tool T to loosen the screws P and take out the frame(R) B;
- 2.Mount 2mm rubber L and guide clip K on the frame(L) A;
- 3.Mount 5mm rubber M and screw clamp J on the frame(R) B.

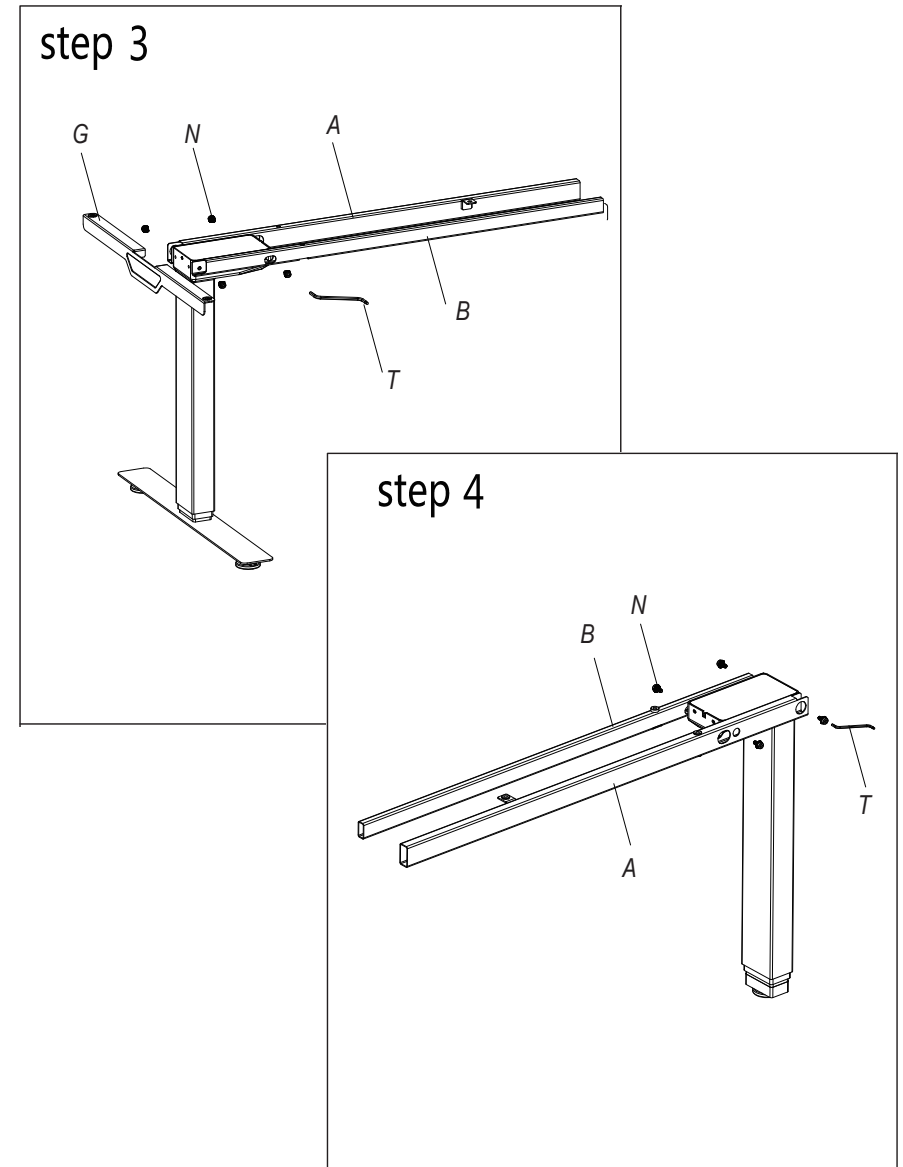
Step 2 = Mount feet H to column F.Use screws O and Tool T.



## EFG Izi Pro S - Frame assembly - Step 3 & 4

Step 3 = Mount Frame A、 B and Side bracket G to column F, use screws N and Tool T;

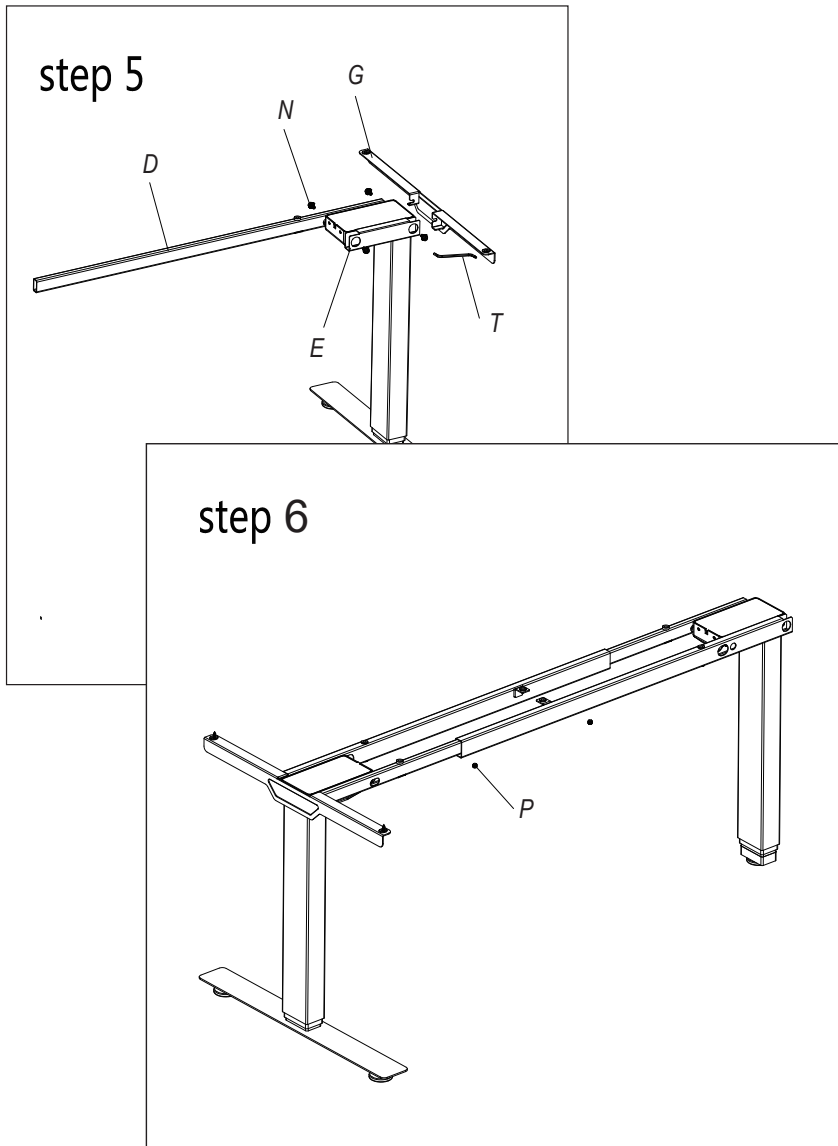
Step 4 = Same as Step 3, but without side bracket



## EFG Izi Pro S - Frame assembly - Step 5 & 6

Step 5 = Mount TT Frame D、 P and Side bracket G to column F, use screws N and Tool T.

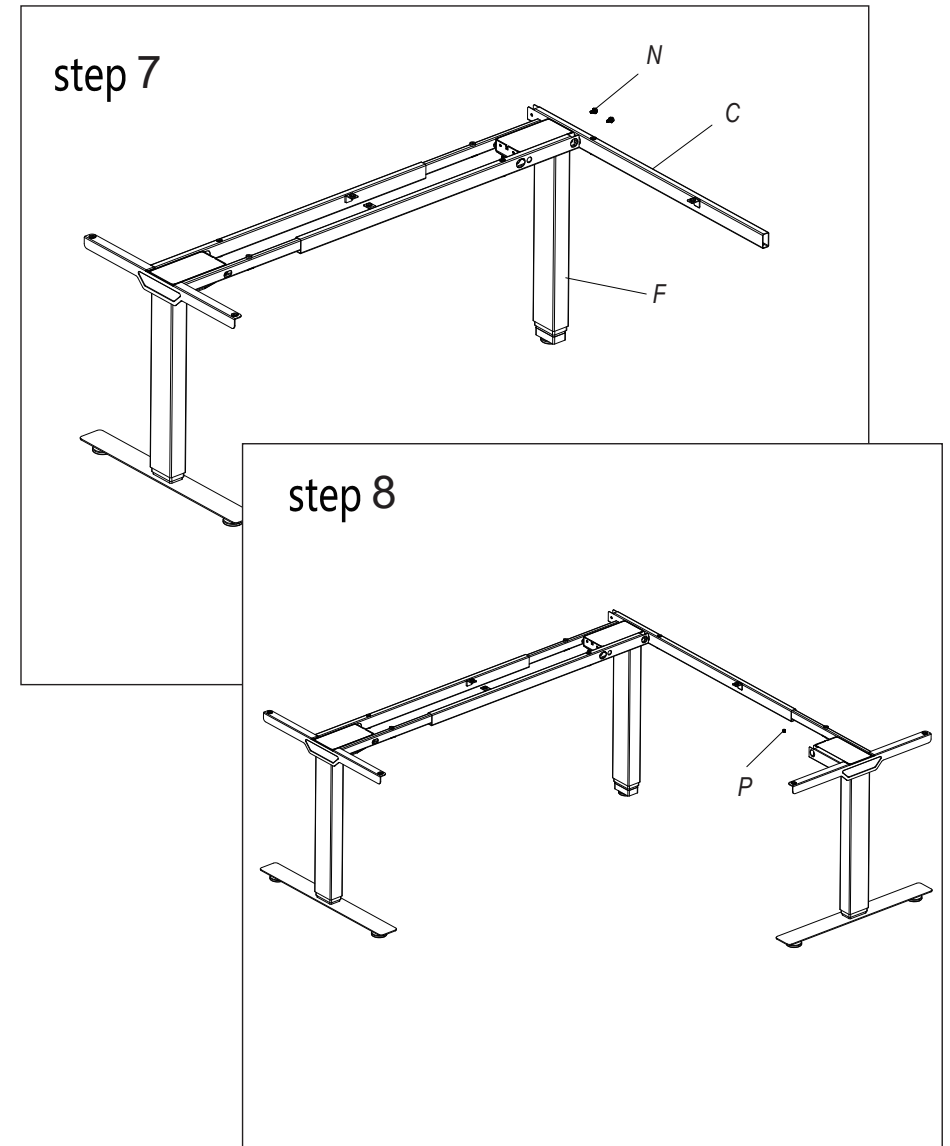
Step 6 = Adjust to the desired length and tighten screws P to fixed frame(L) A and frame(L) B.



## EFG Izi Pro S - Frame assembly - Step 7 & 8

Step 7 = Mount TT frame(L) C to column F. Use screws N.

Step 8 = Same as step 6, install the completed section from step 5, connecting it with screws P.



## EFG Izi Pro S - Frame assembly - Step 9, 10, 11, 12 & 13

Step 9 = Place frame on table top and assemble it with screw Q in holes on Frame A、 B、 C and Side bracket G.

Step 10 = Mount handset with screws R and control box with screws Q.

Step 11 = Clips S to collect cables and make it neat.

Step 12 = Observe and finish!




Step 13 = Go through the initialization procedure (page 3).

### OBSERVE:

Make sure every screw is tightened before use.

Turn the table around to standing position and plug the cable.

Ready to use!

M		15	ST5*20	Screws for table top and control box
N		2	ST5*16	Screws for handset
O		15		Wire clips