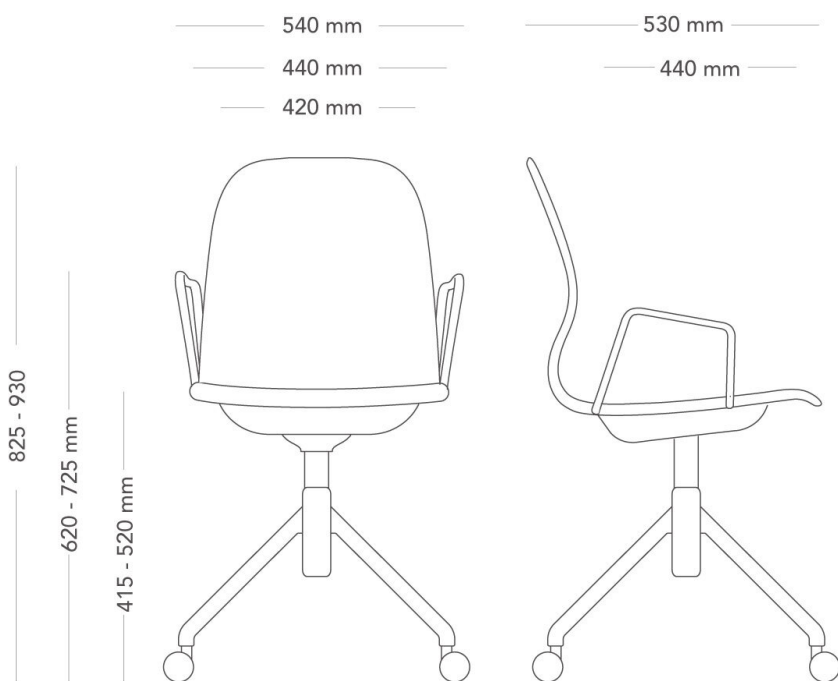


Archie

CHAIR, FOUR STAR METAL BASE

Archie is a chair series that in several designs with a design that is both innovative and practical. With all the possibilities for variation, Archie is easy to adapt to all offices and public environments.



MODEL	Chair with swivel base	
VARIANTS	<ul style="list-style-type: none"> - Sliding foot - Fixed height - Plane seat - Fully upholstered - Bracket armrests 	<ul style="list-style-type: none"> - Wheels - Adjustable height - Upholstered seat - No armrests
ACCESSORIES	<ul style="list-style-type: none"> - Alternative gliders - Alternative castors 	
DETAILS	<ul style="list-style-type: none"> - All variants are certified by Möbelfakta, with the exception of armrests in chrome without leather upholstery. 	
CONSTRUCTION	PC/ABS-plastic seat shell. Upholstered versions with padding of highly elastic foam (HR foam). 4-cross swivel base, made of cast recycled aluminium. Fixed-height or height-adjustable steel pillar. Tilttable mechanism made of cast recycled aluminum and steel. Black plastic castors, or gliders.	
DIMENSIONS	Height: 825-930 mm Depth: 530 mm Sit depth: 440 mm	Width: 540 mm Seat height: 415-520 mm Total height armrest: 620-725 mm
WEIGHT	12.0 kg	

TESTED	EN 16139:2013 + EN 16139:2013/AC:2013 level 1, EN 1728:2012
--------	---

GUARANTEE	5 years
-----------	---------
