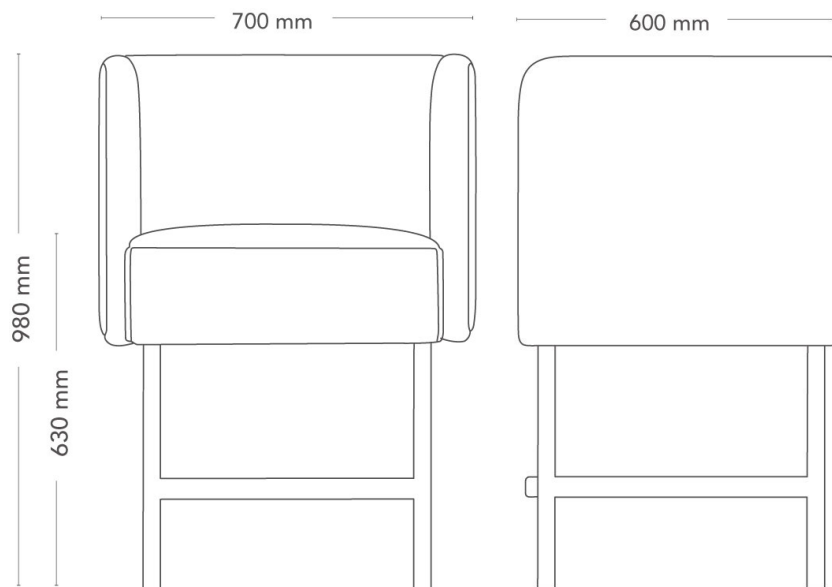


# Mingle Bar

## ARMCHAIR

Mingle Bar with extra high seat height complements the Mingle family for furnishings in dining rooms, cafes, restaurants or offices. Like other members of the Mingle family, Mingle Bar variant is easy to vary and comes with or without armrests, or as a bench.

Mingle Bar armchair is available with or without armrests.



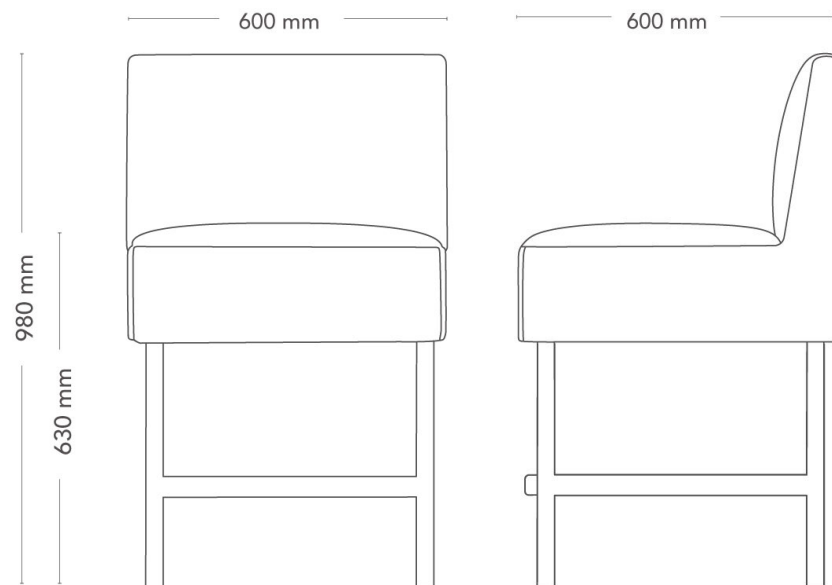
MODEL	Armchair	
VARIANTS	– Without armrests	
ACCESSORIES	– Power and cable management	
DETAILS	– Upholstered in one or two colours of fabric. Suitable for table heights <900 mm.	
CONSTRUCTION	Wooden seating frame made of board and solid wood, fully upholstered. Cold-foam padding, fully upholstered. Ø30 mm straight metal legs, made of powder-coated steel tube. Horizontal powder-coated steel-tube foot support Ø20mm. Adjustable feet in plastic/metal.	
DIMENSIONS	Height: 980 mm Depth: 580 mm	Width: 680 mm Seat height: 630 mm
WEIGHT	31.2 kg	
TESTED	EN 16139, EN 1728	
WARRANTY	5 years	

# Mingle Bar

## ARMCHAIR WITHOUT ARMRESTS

Mingle Bar with extra high seat height complements the Mingle family for furnishings in dining rooms, cafes, restaurants or offices. Like other members of the Mingle family, Mingle Bar variant is easy to vary and comes with or without armrests, or as a bench.

Mingle Bar armchair is available with or without armrests.



MODEL	Armchair	
VARIANTS	– Armrests	
ACCESSORIES	– Power and cable management	
DETAILS	– Upholstered in one or two colours of fabric. Suitable for table heights <900 mm.	
CONSTRUCTION	Wooden seating frame made of board and solid wood, fully upholstered. Cold-foam padding, fully upholstered. Ø30 mm straight metal legs, made of powder-coated steel tube. Horizontal powder-coated steel-tube foot support Ø20mm. Adjustable feet in plastic/metal.	
DIMENSIONS	Height: 980 mm Depth: 580 mm	Width: 580 mm Seat height: 630 mm
WEIGHT	18.2 kg	
TESTED	EN 16139, EN 1728	
WARRANTY	5 years	