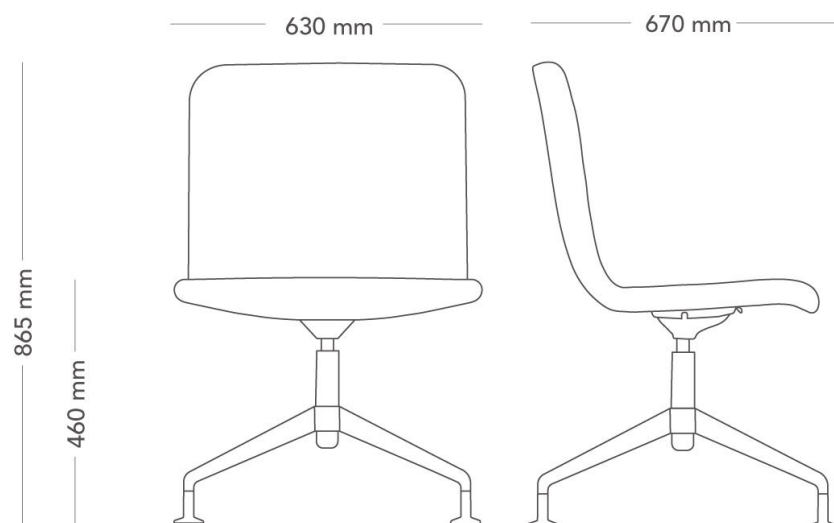


# Hybe

## HYBE 1-SEATER WITH SWIVEL BASE AND GLIDERS.

Hybe is a hybrid series of flexible seating and meeting places/pods designed by Form Us With Love. Hybe exists to fulfill the need for adaptable and mobile spaces in the versatile office, promoting productivity and creativity.

1-seater with swivel base.



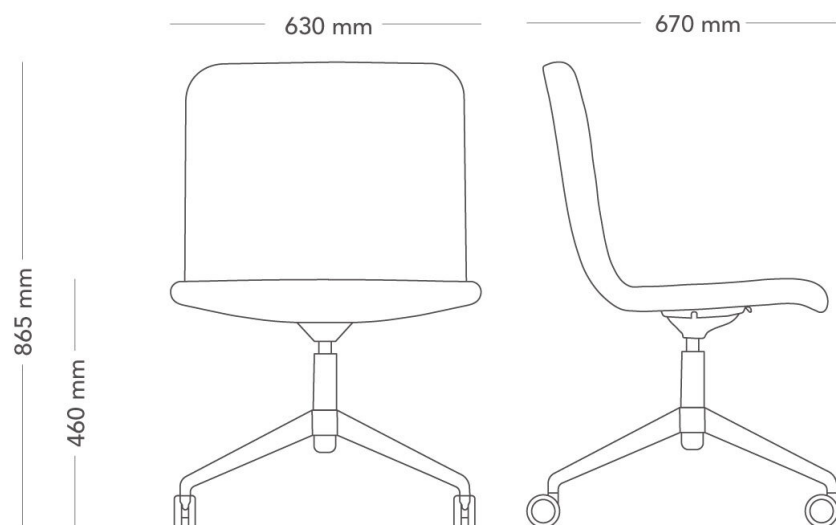
MODEL	1-seater with swivel base	
VARIANTS	<ul style="list-style-type: none"> <li>– Swivel base with Gliders</li> <li>– Swivel base with castors</li> </ul>	
ACCESSORIES	– Alternative colours and materials	
DETAILS	– Built-in tilting function in the seat mechanism.	
CONSTRUCTION	Molded-wood seat shell with cold foam padding. Square base made of cast recycled aluminum with steel pillar, with black plastic gliders or with castors.	
DIMENSIONS	Height: 865 mm Depth: 670 mm	Width: 630 mm Seat height: 460 mm
WEIGHT	11.7 kg	
TESTED	EN16139:2013	
GUARANTEE	5 years	

# Hybe

## HYBE LOUNGE CHAIR WITH SWIVEL BASE AND CASTORS

Hybe is a hybrid series of flexible seating and meeting places/pods designed by Form Us With Love. Hybe exists to fulfill the need for adaptable and mobile spaces in the versatile office, promoting productivity and creativity.

1-seater with swivel base.



MODEL	1-seater with swivel base	
VARIANTS	<ul style="list-style-type: none"> <li>– Swivel base with Gliders</li> <li>– Swivel base with castors</li> </ul>	
ACCESSORIES	– Alternative colours and materials	
DETAILS	– Built-in tilting function in the seat mechanism.	
CONSTRUCTION	Molded-wood seat shell with cold foam padding. Square base made of cast recycled aluminum with steel pillar, with black plastic gliders or with castors.	
DIMENSIONS	Height: 865 mm Depth: 670 mm Sit depth: 440 mm	Width: 630 mm Seat height: 460 mm
WEIGHT	11.9 kg	
TESTED	EN16139:2013	
GUARANTEE	5 years	